



TITLE: 3PH DISTRIBUTION TRANSFORMER
NAMEPLATE INFORMATION

NO.	DATE	BY	REVISION
3	21/07/16	PP	EDB UPDATE
2	20/03/17	PP	SEISMIC UPDATE
			DES: JWEN
			DATE: 15/11/09
			SCALE: NTS

SHEET 1 OF 3

EDB SG3A0150KK

3.0 httpd 2026/06/24 21:29

THIS DRAWING CONTAINS STRICTLY CONFIDENTIAL INFORMATION BELONGING TO HAMMOND POWER SOLUTIONS AND MUST NOT BE DISTRIBUTED OUTSIDE AUTHORIZED PARTIES.

POWER SOLUTIONS
Guelph, ONT
Hyderabad, IN Compton, CA

HPS Sentinel™ G
Energy Efficient Distribution Transformer
Transformateur de Distribution à Bon Rendement Énergétique

Baraboo, WI
Monterrey, MX

Part No. **SG3A0150KK**

DRY TYPE TRANSFORMER 77US E112313
 ALSO REFER TO ENERGY STANDARDS C902-18
 BY UNDERWRITERS LABORATORIES INC. 0148

LISTED

LR 3902
 03423172490 18
 BY UNDERWRITERS LABORATORIES INC. 0148

SPACINGS BETWEEN ANY VENTILATED ENCLOSURE PANEL AND ANY ADJACENT WALL SHALL BE A MINIMUM OF 5 INCHES EXCEPT WHEN WALL MOUNTED USING APPROVED WALL MOUNTING KIT

VOLTS	CURRENT COURANT	% RATED % TENSION NOMINALE	CONNECTION EACH PHASE CONNECTION PAR PHASE
504	172	105	1
492	176	102.5	2
480	180	100	3
468	185	97.5	4
456	190	95	5
444	195	92.5	6
432	200	90	7

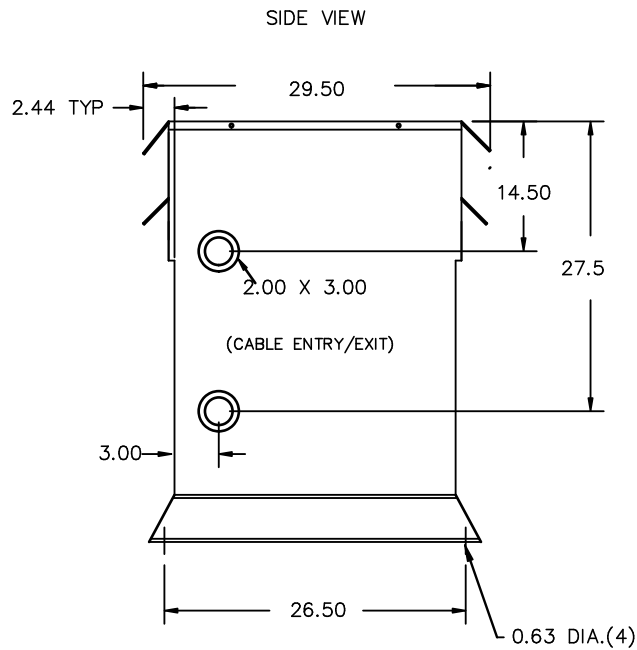
Serial No. [] HV/HT [480V]
 Bil [10 kV]
 Term Bornes [H1 H2 H3]
 LV/BT [480Y/277V]
 Bil [10 kV]
 Term Bornes [X0 X1 X2 X3]
 Energy Regulations [DOE 10 CFR PART 431:2016]
 Reglements de l'Énergétique [CEE ACT SOR/2018-201]
 Impedance % @ 170°C [4.8]
 Encl. Type [3R]
 Type de Coffrage [910]
 Weight lbs []
 Poids []

SEISMIC QUALIFICATIONS:
 AS FLOOR MOUNT ONLY
 IBC 2018/ASCE 7-16
 SDS<=2.0g Z/h=1 Ip=1.5

d000186hb



All Dimensions in inches



ENCLOSURE COLOR :ANSI 61 GREY – OUTDOOR

H.V.1. TERMINAL DETAIL

L.V.1. TERMINAL DETAIL

MECHANICAL TYPE LUGS INCLUDED
SUITABLE FOR 350MCM-6 CU/AL
CONDUCTORS
1 CONDUCTOR PER PHASE

MECHANICAL TYPE LUGS INCLUDED
SUITABLE FOR 350MCM-6 CU/AL
CONDUCTORS
1 CONDUCTOR PER PHASE

CUSTOMER NOTES:

- HV1 TERMINATED AT TOP FRONT
- LV1 TERMINATED AT BOTTOM FRONT



TITLE: 3PH DISTRIBUTION TRANSFORMER

NO.	DATE	BY	REVISION	SCALE:
3	21/07/16	PP	EDB UPDATE	DES: JWEN
2	20/03/17	PP	SEISMIC UPDATE	DATE: 15/11/09
				SCALE: NTS

SHEET 2 OF 3

EDBSC3A0150KK



NOTE:
 WHEN BOTTOM CABLE ENTRY IS OPTED, THE SPACE USED FOR CONDUITS IN THE FRONT OF THE TRANSFORMER SHOULD NOT OBSTRUCT MORE THAN 50% OF THE FRONT AIR INTAKE AREA DEFINED BETWEEN THE BOTTOM PLATE AND THE SUPPORTING LEGS.
 SEE MANUAL FOR ADDITIONAL INFORMATION



TITLE: 3PH DISTRIBUTION TRANSFORMER
 ENCLOSURE BOTTOM VIEW

3	21/07/16	PP	EDB UPDATE	DES: JWEN
2	20/03/17	PP	SEISMIC UPDATE	DATE: 15/11/09
NO.	DATE	BY	REVISION	SCALE: NTS

SHEET 3 OF 3

EDBSG3A0150KK