



TITLE: 3PH DISTRIBUTION TRANSFORMER
NAMEPLATE INFORMATION

NO.	DATE	BY	REVISION
3	21/07/16	PP	EDB UPDATE
2	20/03/17	PP	SEISMIC UPDATE
			DES: ASETH
			DATE: 16/01/10
			SCALE: NTS

SHEET 1 OF 3

EDB SG3A0150DB

3.0 httpd 2026/04/02 11:17

POWER SOLUTIONS
Guelph, ONT
Hyderabad, IN Compton, CA

HPS Sentinel™ G
Energy Efficient Distribution Transformer
Transformateur de Distribution à Bon Rendement Énergétique

Baraboo, WI
Monterrey, MX

Part No. **SG3A0150DB**

UL LISTED **LR 3902**
DRY TYPE DISTRIBUTION TRANSFORMER
77US E112313
ALSO REFER TO CATALOGS
TV ENERGY STANDARDS CRO20-18
BY UNDERWRITERS LABORATORIES INC. @ 016

Cust. Ref. [] Serial No. []
Ref. du Client [] No. de Serie []

Phase 3 HV/HT 240V 361A

Type K BIL 10 kV

Cooling Refroidissement ANN Term Bornes H1 H2 H3

kVA 150 LV/BT 208Y/120V 416A

Temp. Rise Echauffement 150 °C BIL 10 kV

Temp Class Classe Temp 220 °C Term Bornes X0 X1 X2 X3

Winding Enroulement AL Energy Regulations DOE 10 CFR PART 431:2016

Frequency Fréquence Hz 60 Reglements de l'Energétique CEE ACT SOR/2018-201

Impedance % @ 170 °C 4.9

Encl. Type Type de Coffrage 3R

Weight Poids lbs 970

VOLTS	CURRENT COURANT	% RATED VOLTAGE % TENSION NOMINALE	CONNECTION EACH PHASE CONNECTION PAR PHASE
252	344	105	1
246	352	102.5	2
240	361	100	3
234	370	97.5	4
228	380	95	5
222	390	92.5	6
216	401	90	7

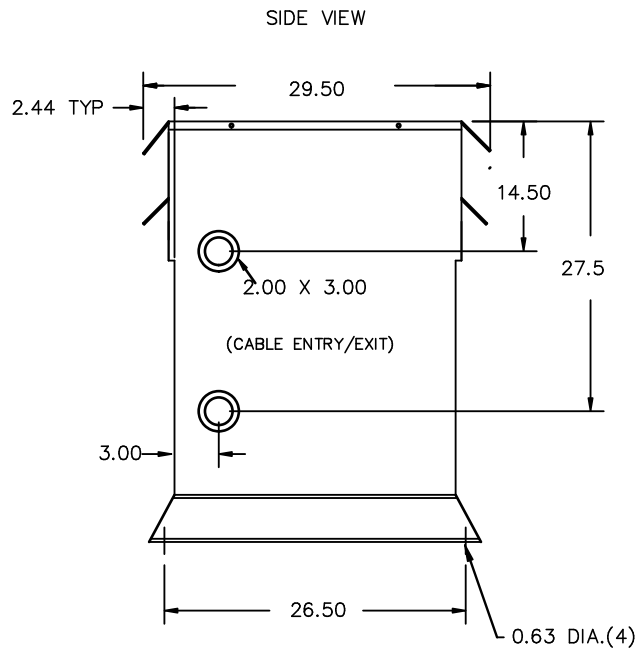
SPACINGS BETWEEN ANY VENTILATED ENCLOSURE PANEL AND ANY ADJACENT WALL SHALL BE A MINIMUM OF 5 INCHES EXCEPT WHEN WALL MOUNTED USING APPROVED WALL MOUNTING KIT

SEISMIC QUALIFICATIONS:
AS FLOOR MOUNT ONLY
IBC 2018/ASCE 7-16
SDS<=2.0g Z/h=1 Ip=1.5

d000186hb

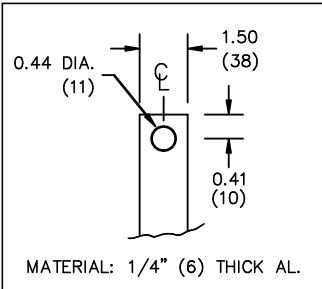


All Dimensions in inches

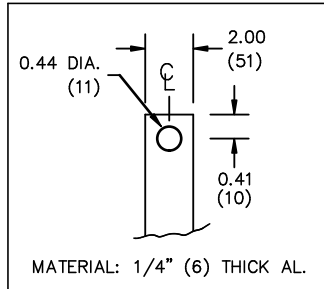


ENCLOSURE COLOR :ANSI 61 GREY – OUTDOOR

HV TERMINAL DETAIL



LV TERMINAL DETAIL



CUSTOMER NOTES:

- HV TERMINATED AT TOP FRONT
- LV TERMINATED AT BOTTOM FRONT



TITLE: 3PH DISTRIBUTION TRANSFORMER

3	21/07/16	PP	EDB UPDATE	DES: ASETH
2	20/03/17	PP	SEISMIC UPDATE	DATE: 16/01/10
NO.	DATE	BY	REVISION	SCALE: NTS

SHEET 2 OF 3

EDBSC3A0150DB



NOTE:
 WHEN BOTTOM CABLE ENTRY IS OPTED, THE SPACE USED FOR CONDUITS IN THE FRONT OF THE TRANSFORMER SHOULD NOT OBSTRUCT MORE THAN 50% OF THE FRONT AIR INTAKE AREA DEFINED BETWEEN THE BOTTOM PLATE AND THE SUPPORTING LEGS.
 SEE MANUAL FOR ADDITIONAL INFORMATION



TITLE: 3PH DISTRIBUTION TRANSFORMER
 ENCLOSURE BOTTOM VIEW

3	21/07/16	PP	EDB UPDATE	DES: ASETH
2	20/03/17	PP	SEISMIC UPDATE	DATE: 16/01/10
NO.	DATE	BY	REVISION	SCALE: NTS

SHEET 3 OF 3

EDBSC3A0150DB