




TITLE: 3PH DISTRIBUTION TRANSFORMER
NAMEPLATE INFORMATION

NO.	DATE	BY	REVISION
4	21/07/16	PP	EDB UPDATE
3	20/03/17	PP	SEISMIC UPDATE
			DES: GPATEL DATE: 16/01/08 SCALE: NTS

SHEET 1 OF 3

EDBSC3A0150BKOC

4.0 httpd 2026/05/13 09:34



POWER SOLUTIONS
Guelph, ONT Compton, CA Hyderabad, IN
Baraboo, WI Monterrey, MX

HPS Sentinel™ G
Energy Efficient Distribution Transformer
Transformateur de Distribution à Bon Rendement Énergétique

Part No. **SG3A0150BKOC**

DRY TYPE DISTRIBUTOR
77US E112313

LR 3902

0342312743 5

ALSO REFER TO CATALOGS
TO ENERGY STANDARDS C902-18
BY UNDERWRITERS LABORATORIES INC. 0148

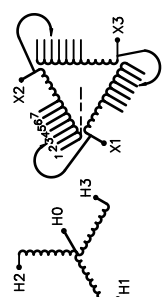
LISTED

SPACINGS BETWEEN ANY VENTILATED ENCLOSURE PANEL AND ANY ADJACENT WALL SHALL BE A MINIMUM OF 5 INCHES EXCEPT WHEN WALL MOUNTED USING APPROVED WALL MOUNTING KIT

TRANSFORMER SUITABLE FOR STEP UP OPERATION ONLY

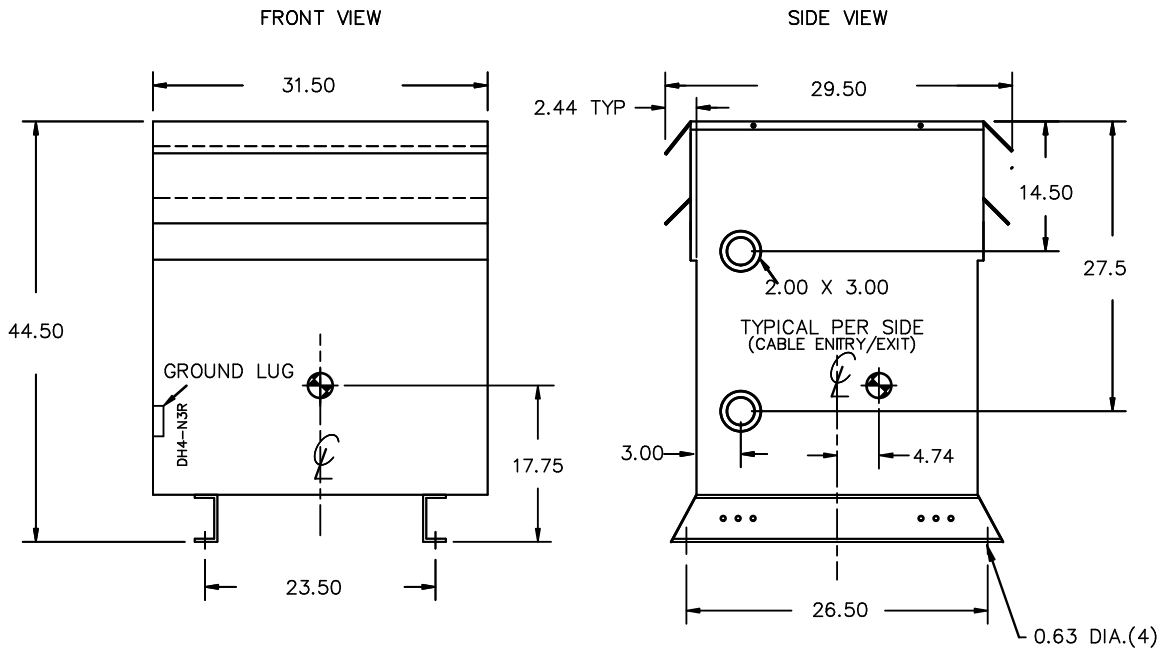
SEISMIC QUALIFICATIONS:
AS FLOOR MOUNT ONLY
IBC 2018/ASCE 7-16
SDS<=2.0g Z/h=1 Ip=1.5

Cust. Ref. Ref. du Client		Serial No. No. de Serie	VOLTS		CURRENT COURANT	% RATED % TENSION NOMINALE	CONNECTION EACH PHASE CONNECTION PAR PHASE
3		HV/HT	218	397	105	1	
K		BIL	213	406	102.5	2	
ANN		Term Bornes	208	416	100	3	
150		LV/BT	203	427	97.5	4	
150 °C		BIL	198	438	95	5	
220 °C		Term Bornes	192	450	92.5	6	
CU		Energy Regulations	187	463	90	7	
60		Reglements de Énergétique					
3.9							
3R							
1050/477							



THIS DRAWING CONTAINS STRICTLY CONFIDENTIAL INFORMATION BELONGING TO HAMMOND POWER SOLUTIONS AND MUST NOT BE DISTRIBUTED OUTSIDE AUTHORIZED PARTIES.

d000186hb



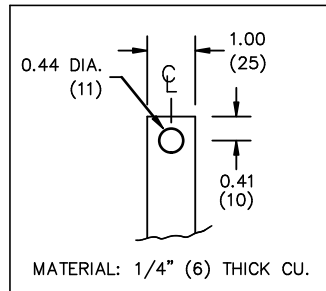
All Dimensions in inches

ENCLOSURE COLOR :ANSI 61 GREY – OUTDOOR

HV TERMINAL DETAIL

LV TERMINAL DETAIL

MECHANICAL TYPE LUGS INCLUDED
SUITABLE FOR 350MCM-6 CU/AL
CONDUCTORS
1 CONDUCTOR PER PHASE



CUSTOMER NOTES:

- HV TERMINATED AT BOTTOM FRONT
- LV TERMINATED AT TOP FRONT



TITLE: 3PH DISTRIBUTION TRANSFORMER

4	21/07/16	PP	EDB UPDATE	DES: GPATEL
3	20/03/17	PP	SEISMIC UPDATE	DATE: 16/01/08
NO.	DATE	BY	REVISION	SCALE: NTS

SHEET 2 OF 3

EDBSC3A0150BK0C



NOTE:
 WHEN BOTTOM CABLE ENTRY IS OPTED, THE SPACE USED FOR CONDUITS IN THE FRONT OF THE TRANSFORMER SHOULD NOT OBSTRUCT MORE THAN 50% OF THE FRONT AIR INTAKE AREA DEFINED BETWEEN THE BOTTOM PLATE AND THE SUPPORTING LEGS.
 SEE MANUAL FOR ADDITIONAL INFORMATION



TITLE: 3PH DISTRIBUTION TRANSFORMER
 ENCLOSURE BOTTOM VIEW

4	21/07/16	PP	EDB UPDATE	DES: GPATEL
3	20/03/17	PP	SEISMIC UPDATE	DATE: 16/01/08
NO.	DATE	BY	REVISION	SCALE: NTS

SHEET 3 OF 3

EDBSC3A0150BK0C