




TITLE: 3PH DISTRIBUTION TRANSFORMER  
NAMEPLATE INFORMATION

NO.	DATE	BY	REVISION
2	21/07/16	PP	EDB UPDATE
1	20/03/17	PP	SEISMIC UPDATE
			DES: RMOVVA
			DATE: 18/06/27
			SCALE: NTS

SHEET 1 OF 3

EDBSC3A0150BBOC

2.0 httpd 2026/04/03 01:14




**POWER SOLUTIONS**  
Guelph, ONT  
Hyderabad, IN Compton, CA

**HPS Sentinel™ G**  
Energy Efficient Distribution Transformer  
Transformateur de Distribution à Bon Rendement Énergétique

Baraboo, WI  
Monterrey, MX

Part No. **SG3A0150BBOC**

**LISTED**  **LR 3902**  
 DRY TYPE  
77US  
E112313

8 03423 17730 5  
 ALSO REFER TO THE FOLLOWING STANDARDS:  
 IEC 60076-1 AND IEC 60076-2  
 BY UNDERWRITERS LABORATORIES INC. @ 316

VOLTS	CURRENT COURANT	% RATED VOLTAGE % TENSION NOMINALE	CONNECTION EACH PHASE CONNECTION PAR PHASE
218	397	105	1
213	406	102.5	2
208	416	100	3
203	427	97.5	4
198	438	95	5
192	450	92.5	6
187	463	90	7

Serial No. [ ]  
 No. de Serie [ ]

Phase 3 HV/HT

Type K BIL

Cooling Refroidissement ANN Term Bornes

kVA 150 LV/BT

Temp. Rise Echauffement 150 °C BIL

Temp Class Classe Temp 220 °C Term Bornes

Winding Enroulement CU Energy Regulations

Frequency Fréquence Hz 60 Reglements de Réglement Energétique

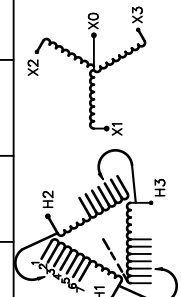
Impedance % @ 170 °C 4.8

Encl. Type Type de Coffrage 3R

Weight Poids lbs 1050

DOE 10 CFR PART 431:2016

CEE ACT SOR/2018-201



SPACINGS BETWEEN ANY VENTILATED ENCLOSURE PANEL AND ANY ADJACENT WALL SHALL BE A MINIMUM OF 5 INCHES EXCEPT WHEN WALL MOUNTED USING APPROVED WALL MOUNTING KIT

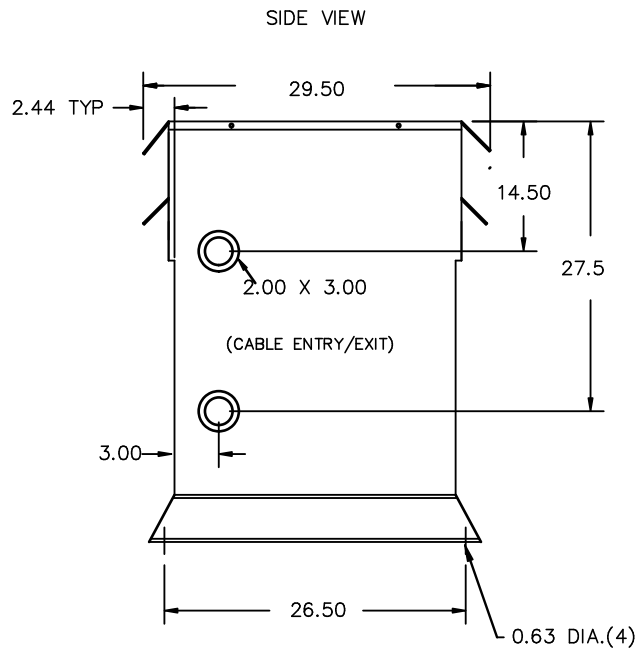
SEISMIC QUALIFICATIONS:  
 AS FLOOR MOUNT ONLY  
 IBC 2018/ASCE 7-16  
 SDS<=2.0g Z/h=1 Ip=1.5

d000186hb

THIS DRAWING CONTAINS STRICTLY CONFIDENTIAL INFORMATION BELONGING TO HAMMOND POWER SOLUTIONS AND MUST NOT BE DISTRIBUTED OUTSIDE AUTHORIZED PARTIES.

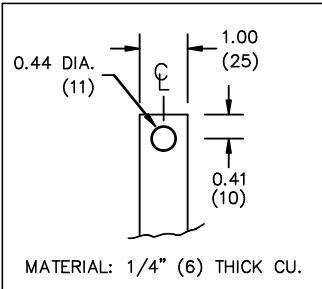


All Dimensions in inches

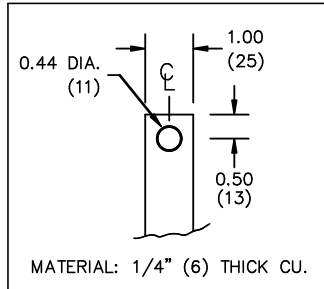


ENCLOSURE COLOR :ANSI 61 GREY – OUTDOOR

HV TERMINAL DETAIL



LV TERMINAL DETAIL



CUSTOMER NOTES:

- HV TERMINATED AT TOP FRONT
- LV TERMINATED AT BOTTOM FRONT



TITLE: 3PH DISTRIBUTION TRANSFORMER

2	21/07/16	PP	EDB UPDATE	DES: RMOVVA
1	20/03/17	PP	SEISMIC UPDATE	DATE: 18/06/27
NO.	DATE	BY	REVISION	SCALE: NTS

SHEET 2 OF 3

EDBSC3A0150BBOC



NOTE:  
 WHEN BOTTOM CABLE ENTRY IS OPTED, THE SPACE USED FOR CONDUITS IN THE FRONT OF THE TRANSFORMER SHOULD NOT OBSTRUCT MORE THAN 50% OF THE FRONT AIR INTAKE AREA DEFINED BETWEEN THE BOTTOM PLATE AND THE SUPPORTING LEGS.  
 SEE MANUAL FOR ADDITIONAL INFORMATION



TITLE: 3PH DISTRIBUTION TRANSFORMER  
 ENCLOSURE BOTTOM VIEW

2	21/07/16	PP	EDB UPDATE	DES: RMOVVA
1	20/03/17	PP	SEISMIC UPDATE	DATE: 18/06/27
NO.	DATE	BY	REVISION	SCALE: NTS

SHEET 3 OF 3

EDBSC3A0150BBOC