



TITLE: 3PH DISTRIBUTION TRANSFORMER.
NAMEPLATE INFORMATION

NO.	DATE	BY	REVISION
4	21/07/16	PP	EDB UPDATE
3	20/07/08	DC	UPDATED ENERGY STD TO C802.2-18


DES:	JWEN
DATE:	15/11/09
SCALE:	NTS

SHEET 1 OF 3

EDBSG3A0112PB

4.0 httpd 2026/04/04 19:09

THIS DRAWING CONTAINS STRICTLY CONFIDENTIAL INFORMATION BELONGING TO HAMMOND POWER SOLUTIONS AND MUST NOT BE DISTRIBUTED OUTSIDE AUTHORIZED PARTIES.



POWER SOLUTIONS
Guelph, ONT
Hyderabad, IN Compton, CA

HPS Sentinel™ G
Energy Efficient Distribution Transformer
Transformateur de Distribution à Bon Rendement Énergétique

Baraboo, WI
Monterrey, MX

Part No. **SG3A0112PB**

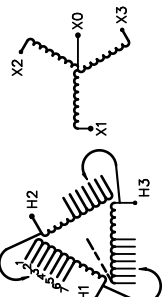
LISTED

LR 3902
DRY TYPE
77US
E112313

8 03423 172537 0
ALSO REFER TO CATALOGUE
TO ENERGY STANDARDS C802.2-18
BY UNDERWRITERS LABORATORIES INC. @ 316

VOLTS	CURRENT COURANT	% RATED % TENSION NOMINALE	CONNECTION EACH PHASE CONNECTION PAR PHASE
630	103.1	105	1
615	105.6	102.5	2
600	108.3	100	3
585	111	97.5	4
570	114	95	5
555	117	92.5	6
540	120	90	7

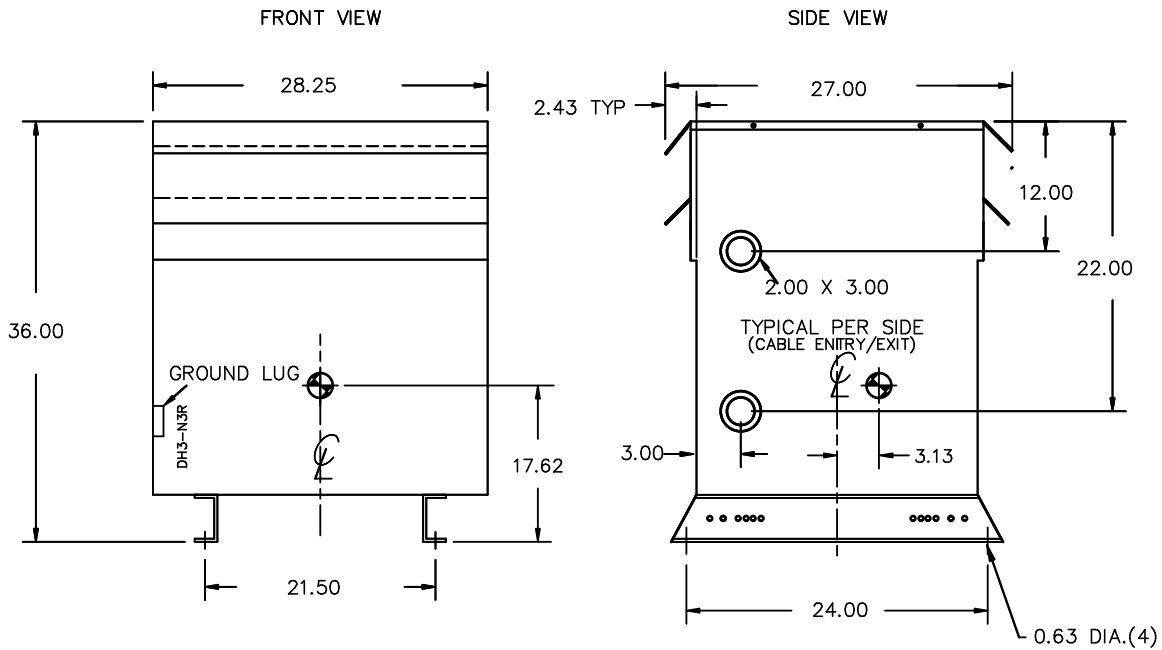
SPACINGS BETWEEN ANY VENTILATED ENCLOSURE PANEL AND ANY ADJACENT WALL SHALL BE A MINIMUM OF 5 INCHES EXCEPT WHEN WALL MOUNTED USING APPROVED WALL MOUNTING KIT



SEISMIC QUALIFICATIONS:
AS FLOOR MOUNT ONLY
IBC 2018/ASCE 7-16
SDS<=2.0g Z/h=1 Ip=1.5

Cust. Ref.	Serial No.	
Ref. du Client	No. de Serie	
Phase	HV/HT	600V 108.3A
Type	BIL	10 kV
Cooling Refrondissement	Term Bornes	H1 H2 H3
kVA	LV/BT	208Y/120V 312A
Temp. Rise Echauffement	BIL	10 kV
Temp Class Classe Temp	Term Bornes	X0 X1 X2 X3
Winding Enroulement	Energy Regulations	DOE 10 CFR PART 431:2016
Frequency Hz	Reglements Énergétique	CEE ACT SOR/2018-201
Impedance % @ 170°C		
Encl. Type Type de Coffrage		
Weight Poids		

d000186hb



All Dimensions in inches

ENCLOSURE COLOR :ANSI 61 GREY – OUTDOOR

HV TERMINAL DETAIL

LV TERMINAL DETAIL

MECHANICAL TYPE LUGS INCLUDED
SUITABLE FOR 250MCM-6 CU/AL
CONDUCTORS
1 CONDUCTOR PER PHASE

MECHANICAL TYPE LUGS INCLUDED
SUITABLE FOR 350MCM-6 CU/AL
CONDUCTORS
2 CONDUCTORS PER PHASE

CUSTOMER NOTES:

- HV TERMINATED AT TOP FRONT
- LV TERMINATED AT BOTTOM FRONT



TITLE: 3PH DISTRIBUTION TRANSFORMER.

4	21/07/16	PP	EDB UPDATE	DES: JWEN
3	20/07/08	DC	UPDATED ENERGY STD TO C802.2-18	DATE: 15/11/09
NO.	DATE	BY	REVISION	SCALE: NTS

SHEET 2 OF 3

EDBSG3A0112PB

ENCLOSURE BOTTOM VIEW



NOTE:
 WHEN BOTTOM CABLE ENTRY IS OPTED, THE SPACE USED FOR CONDUITS IN THE FRONT OF THE TRANSFORMER SHOULD NOT OBSTRUCT MORE THAN 50% OF THE FRONT AIR INTAKE AREA DEFINED BETWEEN THE BOTTOM PLATE AND THE SUPPORTING LEGS.
 SEE MANUAL FOR ADDITIONAL INFORMATION



TITLE: 3PH DISTRIBUTION TRANSFORMER.
 ENCLOSURE BOTTOM VIEW

4	21/07/16	PP	EDB UPDATE	DES: JWEN
3	20/07/08	DC	UPDATED ENERGY STD TO C802.2-18	DATE: 15/11/09
NO.	DATE	BY	REVISION	SCALE: NTS

SHEET 3 OF 3

EDBSG3A0112PB