



TITLE: 3PH DISTRIBUTION TRANSFORMER  
NAMEPLATE INFORMATION


NO.	DATE	BY	REVISION
3	21/07/16	PP	EDB UPDATE
2	20/03/17	PP	SEISMIC UPDATE
			DES: JWEN
			DATE: 15/11/09
			SCALE: NTS

SHEET 1 OF 3

EDB SG3A0112KK

3.0 httpd 2026/04/04 19:59

THIS DRAWING CONTAINS STRICTLY CONFIDENTIAL INFORMATION BELONGING TO HAMMOND POWER SOLUTIONS AND MUST NOT BE DISTRIBUTED OUTSIDE AUTHORIZED PARTIES.



**POWER SOLUTIONS**  
Guelph, ONT  
Hyderabad, IN Compton, CA

**HPS Sentinel™ G**  
Energy Efficient Distribution Transformer  
Transformateur de Distribution à Bon Rendement Énergétique

Baraboo, WI  
Monterrey, MX

Part No. **SG3A0112KK**

**Serial No.** [ ] **No. de Serie** [ ]

**Phase** 3 **HV/HT** 480V

**Type** K **BIL** 135A

**Cooling** ANN **Term Bornes** H1 H2 H3

**kVA** 112.5 **LV/BT** 480Y/277V 135A

**Temp. Rise** 150 °C **BIL** 10 kV

**Temp Class** 220 °C **Term Bornes** X0 X1 X2 X3

**Winding** AL **Energy Regulations** DOE 10 CFR PART 431:2016

**Frequency** 60 **Reglements de l'Energétique** CEE ACT SOR/2018-201

**Impedance % @ 170 °C** 5.8

**Encl. Type** 3R

**Weight** 675 **lbs**

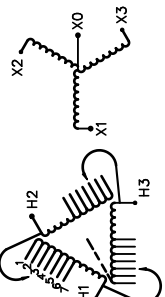
**LISTED**

LR 3902  
DRY TYPE  
77US  
E112313

03423112484  
7  
ALSO REFER TO THE LISTING FOR THE FULL LIST OF TESTS AND APPROVED STANDARDS.  
BY UNDERWRITERS LABORATORIES INC. @ 316

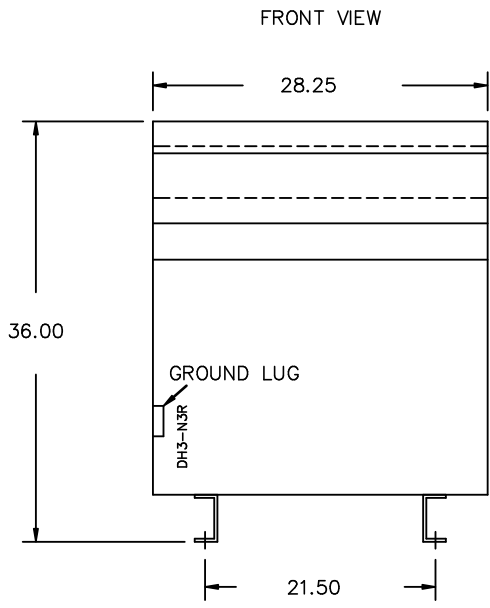
VOLTS	CURRENT COURANT	% RATED % TENSION NOMINALE	CONNECTION EACH PHASE CONNECTION PAR PHASE
504	129	105	1
492	132	102.5	2
480	135	100	3
468	139	97.5	4
456	142	95	5
444	146	92.5	6
432	150	90	7

SPACINGS BETWEEN ANY VENTILATED ENCLOSURE PANEL AND ANY ADJACENT WALL SHALL BE A MINIMUM OF 5 INCHES EXCEPT WHEN WALL MOUNTED USING APPROVED WALL MOUNTING KIT



SEISMIC QUALIFICATIONS:  
AS FLOOR MOUNT ONLY  
IBC 2018/ASCE 7-16  
SDS<=2.0g Z/h=1 Ip=1.5

d000186hb



All Dimensions in inches



ENCLOSURE COLOR :ANSI 61 GREY – OUTDOOR

HV TERMINAL DETAIL

LV TERMINAL DETAIL

MECHANICAL TYPE LUGS INCLUDED  
SUITABLE FOR 250MCM-6 CU/AL  
CONDUCTORS  
1 CONDUCTOR PER PHASE

MECHANICAL TYPE LUGS INCLUDED  
SUITABLE FOR 250MCM-6 CU/AL  
CONDUCTORS  
1 CONDUCTOR PER PHASE

CUSTOMER NOTES:

- HV TERMINATED AT TOP FRONT
- LV TERMINATED AT BOTTOM FRONT



TITLE: 3PH DISTRIBUTION TRANSFORMER

NO.	DATE	BY	REVISION	SCALE:
3	21/07/16	PP	EDB UPDATE	DES: JWEN
2	20/03/17	PP	SEISMIC UPDATE	DATE: 15/11/09
				SCALE: NTS

SHEET 2 OF 3

EDBSC3A0112KK

ENCLOSURE BOTTOM VIEW



NOTE:  
 WHEN BOTTOM CABLE ENTRY IS OPTED, THE SPACE USED FOR CONDUITS IN THE FRONT OF THE TRANSFORMER SHOULD NOT OBSTRUCT MORE THAN 50% OF THE FRONT AIR INTAKE AREA DEFINED BETWEEN THE BOTTOM PLATE AND THE SUPPORTING LEGS.  
 SEE MANUAL FOR ADDITIONAL INFORMATION



TITLE: 3PH DISTRIBUTION TRANSFORMER  
 ENCLOSURE BOTTOM VIEW

3	21/07/16	PP	EDB UPDATE	DES: JWEN
2	20/03/17	PP	SEISMIC UPDATE	DATE: 15/11/09
NO.	DATE	BY	REVISION	SCALE: NTS

SHEET 3 OF 3

EDBSC3A0112KK