




TITLE: 3PH DISTRIBUTION TRANSFORMER.
NAMEPLATE INFORMATION

NO.	DATE	BY	REVISION
4	21/07/16	PP	EDB UPDATE
3	20/03/17	PP	SEISMIC UPDATE
			DES: MABDELAT
			SCALE: NTS

SHEET 1 OF 3

EDB SG3A0112BK0C

4.0 httpd 2026/06/24 21:34



POWER SOLUTIONS
Guelph, ONT Compton, CA Hyderabad, IN

hammond HPS Sentinel™ G
Energy Efficient Distribution Transformer
Transformateur de Distribution à Bon Rendement Énergétique

Baraboo, WI Monterrey, MX Part No. SG3A0112BK0C

Serial No. []
No. de Serie []

HV/HT 480Y/277V 135A

BIL 10 kV

Term Bornes H0 H1 H2 H3

LV/BT 208V 312A

BIL 10 kV

Term Bornes X1 X2 X3

Energy Regulations DOE 10 CFR PART 431:2016

Reglements de l'Énergétique CEE ACT SOR/2018-201

CU

60

3.8

3R

800

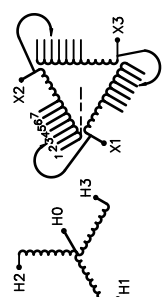
DRY TYPE TRANSFORMER 77US E112313

UL LISTED

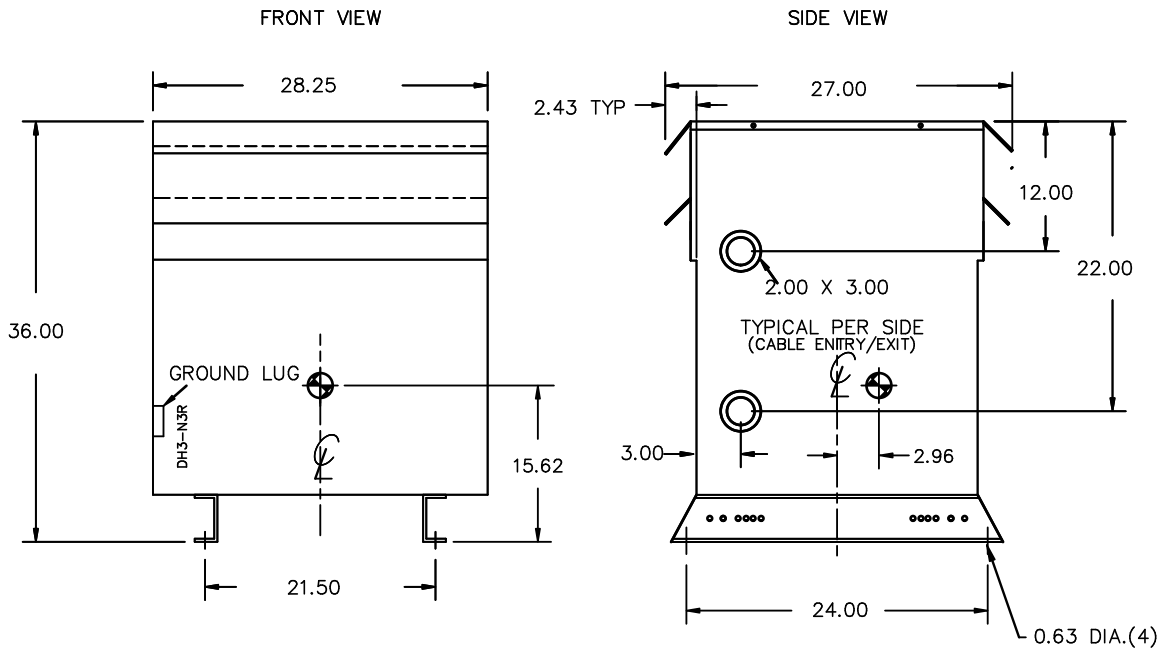
SPACINGS BETWEEN ANY VENTILATED ENCLOSURE PANEL AND ANY ADJACENT WALL SHALL BE A MINIMUM OF 5 INCHES EXCEPT WHEN WALL MOUNTED USING APPROVED WALL MOUNTING KIT

TRANSFORMER SUITABLE FOR STEP UP OPERATION ONLY

VOLTS	CURRENT COURANT	% RATED VOLTAGE % TENSION NOMINALE	CONNECTION EACH PHASE CONNECTION PAR PHASE
218	297	105	1
213	305	102.5	2
208	312	100	3
203	320	97.5	4
198	329	95	5
192	338	92.5	6
187	347	90	7



SEISMIC QUALIFICATIONS:
AS FLOOR MOUNT ONLY
IBC 2018/ASCE 7-16
SDS<=2.0g Z/h=1 Ip=1.5



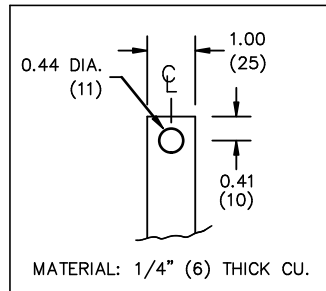
All Dimensions in inches

ENCLOSURE COLOR :ANSI 61 GREY – OUTDOOR

HV TERMINAL DETAIL

LV TERMINAL DETAIL

MECHANICAL TYPE LUGS INCLUDED
SUITABLE FOR 250MCM-6 CU/AL
CONDUCTORS
1 CONDUCTOR PER PHASE



CUSTOMER NOTES:

- HV TERMINATED AT BOTTOM FRONT
- LV TERMINATED AT TOP FRONT



TITLE: 3PH DISTRIBUTION TRANSFORMER.

4	21/07/16	PP	EDB UPDATE	DES: MABDELAT
3	20/03/17	PP	SEISMIC UPDATE	DATE: 16/01/11
NO.	DATE	BY	REVISION	SCALE: NTS

SHEET 2 OF 3

EDBSG3A0112BK0C

ENCLOSURE BOTTOM VIEW



NOTE:
 WHEN BOTTOM CABLE ENTRY IS OPTED, THE SPACE USED FOR CONDUITS IN THE FRONT OF THE TRANSFORMER SHOULD NOT OBSTRUCT MORE THAN 50% OF THE FRONT AIR INTAKE AREA DEFINED BETWEEN THE BOTTOM PLATE AND THE SUPPORTING LEGS.
 SEE MANUAL FOR ADDITIONAL INFORMATION



TITLE: 3PH DISTRIBUTION TRANSFORMER.
 ENCLOSURE BOTTOM VIEW

4	21/07/16	PP	EDB UPDATE	DES: MABDELAT
3	20/03/17	PP	SEISMIC UPDATE	DATE: 16/01/11
NO.	DATE	BY	REVISION	SCALE: NTS

SHEET 3 OF 3

EDBSG3A0112BKOC