




TITLE: 3PH DISTRIBUTION TRANSFORMER
NAMEPLATE INFORMATION

NO.	DATE	BY	REVISION	CHANGED NPL VER:	DES:
4	22/08/04	LC			GPATEL
3	21/07/16	PP		EDB UPDATE	DATE: 16/02/23
					SCALE: NTS

SHEET 1 OF 3

EDB SG3A0112BB0C

4.0 httpd 2026/06/04 12:54



POWER SOLUTIONS
Guelph, ONT Compton, CA Hyderabad, IN

HPS Sentinel™ G
Energy Efficient Distribution Transformer
Transformateur de Distribution à Bon Rendement Énergétique

Baraboo, WI Monterrey, MX
Part No. SG3A0112BB0C

Serial No. []
No. de Serie []

Phase 3 HV/HT

Type K BIL

Cooling Refroidissement ANN Term Bornes

kVA 112.5 LV/BT

Temp. Rise Echauffement 150 °C

Temp Class Classe Temp 220 °C

Winding Enroulement CU Energy Regulations

Frequency Fréquence Hz 60 Reglements de Énergétique

Impedance % @ 170 °C 3.9

Encl. Type Type de Coffrage 3R

Weight lbs/kg Poids 812/369

208V

10 kV

H1 H2 H3

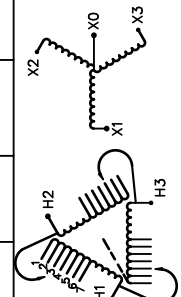
208Y/120V

10 kV

X0 X1 X2 X3

DOE 10 CFR PART 431:2016

VOLTS	CURRENT COURANT	% RATED % TENSION NOMINALE	CONNECTION EACH PHASE CONNECTION PAR PHASE
218	297	105	1
213	305	102.5	2
208	312	100	3
203	320	97.5	4
198	329	95	5
192	338	92.5	6
187	347	90	7

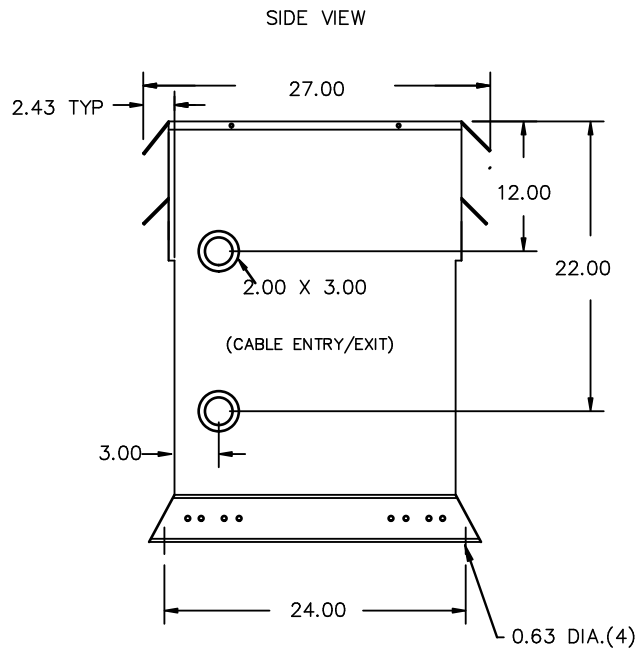


SEISMIC QUALIFICATIONS:
AS FLOOR MOUNT ONLY
IBC 2018/ASCE 7-16
SDS<=2.0g Z/h=1 Ip=1.5

0000186hb

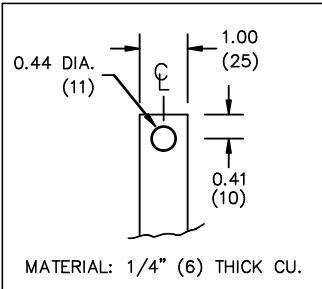


All Dimensions in inches

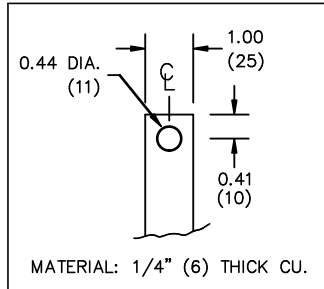


ENCLOSURE COLOR :ANSI 61 GREY – OUTDOOR

H.V.1. TERMINAL DETAIL



L.V.1. TERMINAL DETAIL



CUSTOMER NOTES:

- HV1 TERMINATED AT TOP FRONT
- LV1 TERMINATED AT BOTTOM FRONT



TITLE: 3PH DISTRIBUTION TRANSFORMER

4	22/08/04	LC	CHANGED NPL VER:	DES: GPATEL
3	21/07/16	PP	EDB UPDATE	DATE: 16/02/23
NO.	DATE	BY	REVISION	SCALE: NTS

SHEET 2 OF 3

EDBSG3A0112BBOC

ENCLOSURE BOTTOM VIEW



NOTE:
 WHEN BOTTOM CABLE ENTRY IS OPTED, THE SPACE USED FOR CONDUITS IN THE FRONT OF THE TRANSFORMER SHOULD NOT OBSTRUCT MORE THAN 50% OF THE FRONT AIR INTAKE AREA DEFINED BETWEEN THE BOTTOM PLATE AND THE SUPPORTING LEGS.
 SEE MANUAL FOR ADDITIONAL INFORMATION



TITLE: 3PH DISTRIBUTION TRANSFORMER
 ENCLOSURE BOTTOM VIEW

4	22/08/04	LC	CHANGED NPL VER:	DES: GPATEL
3	21/07/16	PP	EDB UPDATE	DATE: 16/02/23
NO.	DATE	BY	REVISION	SCALE: NTS

SHEET 3 OF 3

EDBSC3A0112BBOC