



TITLE: 3PH DISTRIBUTION TRANSFORMER
NAMEPLATE INFORMATION

NO.	DATE	BY	REVISION
4	21/07/16	PP	EDB UPDATE
3	20/05/05	CS	XO REMOVED TO KEEP SAME AS XC P/N EDB

DES:	JWEN
DATE:	15/11/09
SCALE:	NTS

SHEET 1 OF 3

EDBSC3A0075PB

4.0 httpd 2026/06/25 01:20

THIS DRAWING CONTAINS STRICTLY CONFIDENTIAL INFORMATION BELONGING TO HAMMOND POWER SOLUTIONS AND MUST NOT BE DISTRIBUTED OUTSIDE AUTHORIZED PARTIES.

POWER SOLUTIONS
Guelph, ONT
Hyderabad, IN Compton, CA

HPS Sentinel™ G
Energy Efficient Distribution Transformer
Transformateur de Distribution à Bon Rendement Énergétique

Baraboo, WI
Monterrey, MX

Part No. **SG3A0075PB**

hammond LR 3902
DRY TYPE DISTRIBUTION TRANSFORMER
E112313

ALSO REFER TO ENERGY STANDARDS CODES BY UNDERWRITERS LABORATORIES INC. @ 316

LISTED

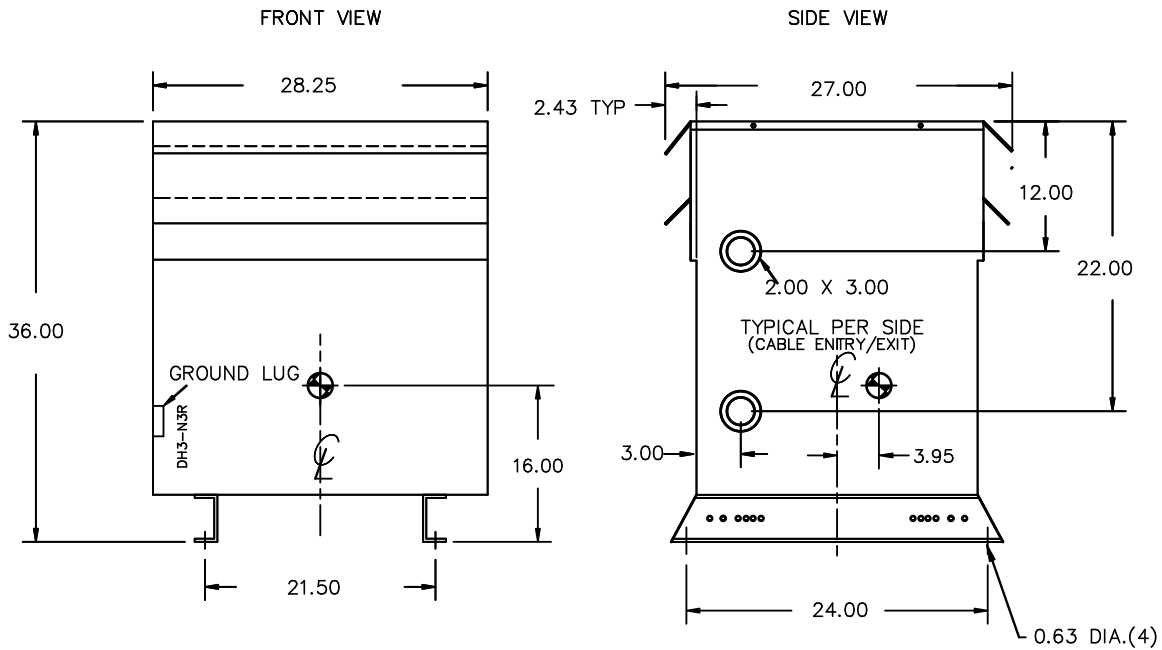
SPACINGS BETWEEN ANY VENTILATED ENCLOSURE PANEL AND ANY ADJACENT WALL SHALL BE A MINIMUM OF 3 INCHES

VOLTS	CURRENT COURANT	% RATED VOLTAGE TENSION NOMINALE	CONNECTION EACH PHASE CONNECTION PAR PHASE
630	68.7	105	1
615	70.4	102.5	2
600	72.2	100	3
585	74.0	97.5	4
570	76.0	95	5
555	78.0	92.5	6
540	80.2	90	7

SEISMIC QUALIFICATIONS:
AS FLOOR MOUNT ONLY
IBC 2018/ASCE 7-16
SDS<=2.0g Z/h=1 Ip=1.5

Cust. Ref. Ref. du Client	Serial No. No. de Serie	600V	72.2A
Phase	HV/HT	10 kV	
Type	BIL	H1 H2 H3	
Cooling Refroidissement	ANN	208Y/120V	208A
kVA	75	10 kV	
Temp. Rise Échauffement	150 °C	X0 X1 X2 X3	
Temp Class Classe Temp	220 °C	DOE 10 CFR PART 431:2016	
Winding Enroulement	AL	CEE ACT SOR/2018-201	
Frequency Fréquence Hz	60		
Impedance % @ 170 °C	5.3		
Encl. Type Type de Coffrage	3R		
Weight Poids	580		

d000186hb



All Dimensions in inches

ENCLOSURE COLOR :ANSI 61 GREY – OUTDOOR

HV TERMINAL DETAIL

LV TERMINAL DETAIL

MECHANICAL TYPE LUGS INCLUDED
SUITABLE FOR #2/0-14 CU/AL
CONDUCTORS
1 CONDUCTOR PER PHASE

MECHANICAL TYPE LUGS INCLUDED
SUITABLE FOR 600MCM-2 CU/AL
CONDUCTORS
1 CONDUCTOR PER PHASE

CUSTOMER NOTES:

- HV TERMINATED AT TOP FRONT
- LV TERMINATED AT BOTTOM FRONT



TITLE: 3PH DISTRIBUTION TRANSFORMER

4	21/07/16	PP	EDB UPDATE	DES: JWEN
3	20/05/05	CS	XO REMOVED TO KEEP SAME AS XG P/N EDB	DATE: 15/11/09
NO.	DATE	BY	REVISION	SCALE: NTS

SHEET 2 OF 3

EDBSC3A0075PB

ENCLOSURE BOTTOM VIEW



NOTE:
 WHEN BOTTOM CABLE ENTRY IS OPTED, THE SPACE USED FOR CONDUITS IN THE FRONT OF THE TRANSFORMER SHOULD NOT OBSTRUCT MORE THAN 50% OF THE FRONT AIR INTAKE AREA DEFINED BETWEEN THE BOTTOM PLATE AND THE SUPPORTING LEGS.
 SEE MANUAL FOR ADDITIONAL INFORMATION



TITLE: 3PH DISTRIBUTION TRANSFORMER
 ENCLOSURE BOTTOM VIEW

4	21/07/16	PP	EDB UPDATE	DES: JWEN
3	20/05/05	CS	XO REMOVED TO KEEP SAME AS XG P/N EDB	DATE: 15/11/09
NO.	DATE	BY	REVISION	SCALE: NTS

SHEET 3 OF 3

EDBSC3A0075PB