




TITLE: 3PH DISTRIBUTION TRANSFORMER  
NAMEPLATE INFORMATION

NO.	DATE	BY	REVISION
3	25/10/29	AO	EDB UPDATE
2	21/07/16	PP	EDB UPDATE
			DES: PPICASSI
			DATE: 19/10/07
			SCALE: NTS

SHEET 1 OF 3

EDBSG3A0075KYOC

3.0 http://www.hammond.com/06-00-37




**POWER SOLUTIONS**  
Guelph, ONT  
Hyderabad, IN Compton, CA

**HPS Sentinel™ G**  
Energy Efficient Distribution Transformer  
Transformateur de Distribution à Bon Rendement Énergétique

Baraboo, WI  
Monterrey, MX

Part No. **SG3A0075KYOC**

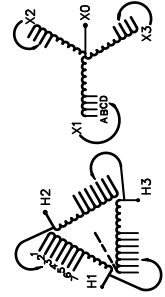
**LISTED**  **LR 3902**  
**DRY TYPE**  
**77US**  
**E112313**

8 03423112807 4  
 ALSO REFER TO THE FOLLOWING STANDARDS:  
 IEC 60076-1 AND IEC 60076-2  
 BY UNDERWRITERS LABORATORIES INC. @ 316

Serial No. [ ]  
 No. de Serie [ ]  
 HV/HT 480V 90.2A  
 BIL 10 kV  
 Term Bornes H1 H2 H3  
 LV/BT 400Y/231V 108.3A  
 BIL 10 kV  
 Term Bornes X0 X1 X2 X3  
 Energy Regulations DOE 10 CFR PART 431:2016  
 Reglements de l'Energétique CEE ACT SOR/2018-201  
 Impedance % @ 170°C 3.4  
 Encl. Type 3R  
 Type de Coffrage 625/284  
 Weight lbs/kg 625/284

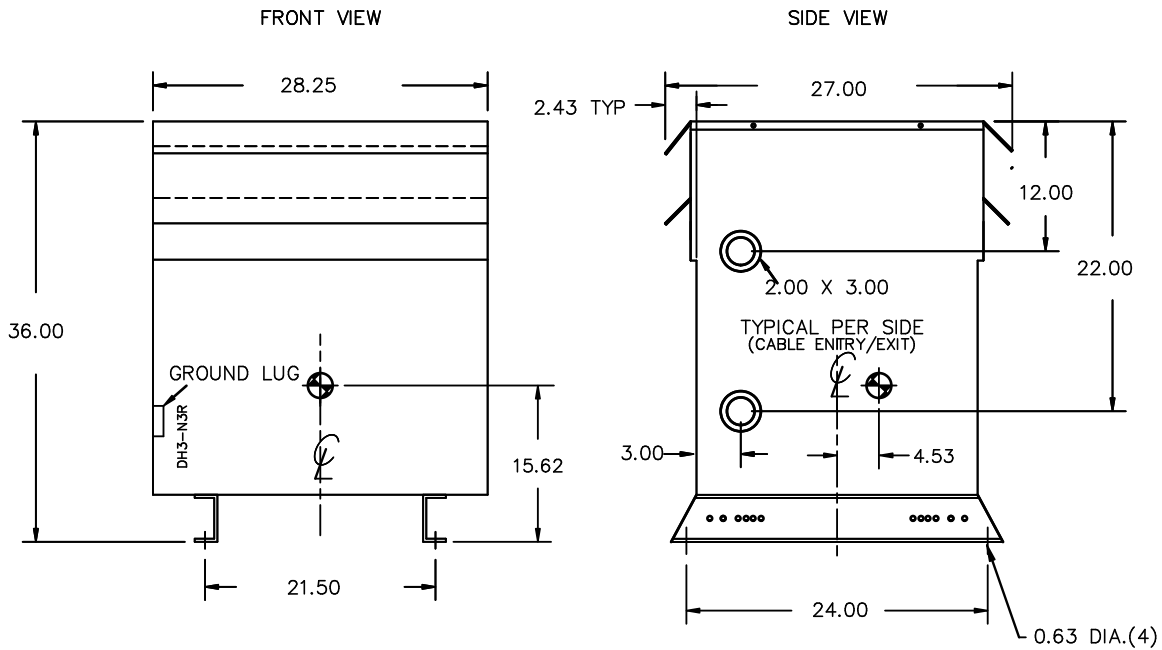
VOLTS	CURRENT COURANT	% RATED % TENSION NOMINALE	CONNECTION EACH PHASE CONNECTION PAR PHASE
504	85.9	105	1
492	88.0	102.5	2
480	90.2	100	3
468	92.5	97.5	4
456	95.0	95	5
444	97.5	92.5	6
432	100.2	90	7
430	100.7	107.5	A
416	104.1	104	B
400	108.2	100	C
380	113.9	95	D

SPACINGS BETWEEN ANY VENTILATED ENCLOSURE PANEL AND ANY ADJACENT WALL SHALL BE A MINIMUM OF 3 INCHES



SEISMIC QUALIFICATIONS:  
 AS FLOOR MOUNT ONLY  
 IBC 2018/ASCE 7-16  
 SDS<=2.0g Z/h=1 Ip=1.5

d000186hb



All Dimensions in inches

ENCLOSURE COLOR :ANSI 61 GREY – OUTDOOR

HV TERMINAL DETAIL

LV TERMINAL DETAIL

MECHANICAL TYPE LUGS INCLUDED  
SUITABLE FOR #2/0-14 CU/AL  
CONDUCTORS  
1 CONDUCTOR PER PHASE

MECHANICAL TYPE LUGS INCLUDED  
SUITABLE FOR 250MCM-6 CU/AL  
CONDUCTORS  
1 CONDUCTOR PER PHASE

CUSTOMER NOTES:

- HV TERMINATED AT TOP FRONT
- LV TERMINATED AT BOTTOM FRONT



TITLE: 3PH DISTRIBUTION TRANSFORMER

3	25/10/29	AO	EDB UPDATE	DES: PPICASSI
2	21/07/16	PP	EDB UPDATE	DATE: 19/10/07
NO.	DATE	BY	REVISION	SCALE: NTS

SHEET 2 OF 3

EDBSC3A0075K10C

ENCLOSURE BOTTOM VIEW



NOTE:  
 WHEN BOTTOM CABLE ENTRY IS OPTED, THE SPACE USED FOR CONDUITS IN THE FRONT OF THE TRANSFORMER SHOULD NOT OBSTRUCT MORE THAN 50% OF THE FRONT AIR INTAKE AREA DEFINED BETWEEN THE BOTTOM PLATE AND THE SUPPORTING LEGS.  
 SEE MANUAL FOR ADDITIONAL INFORMATION



TITLE: 3PH DISTRIBUTION TRANSFORMER  
 ENCLOSURE BOTTOM VIEW

3	25/10/29	AO	EDB UPDATE	DES: PPICASSI
2	21/07/16	PP	EDB UPDATE	DATE: 19/10/07
NO.	DATE	BY	REVISION	SCALE: NTS

SHEET 3 OF 3

EDBSC3A0075K10C