



TITLE: 3PH DISTRIBUTION TRANSFORMER  
NAMEPLATE INFORMATION

NO.	DATE	BY	REVISION
3	21/07/16	PP	EDB UPDATE
2	20/03/17	PP	SEISMIC UPDATE
			DES: JWEN
			DATE: 15/11/09
			SCALE: NTS

SHEET 1 OF 3

EDBSC3A0075BK

3.0 httpd 2026/06/25 00:08

THIS DRAWING CONTAINS STRICTLY CONFIDENTIAL INFORMATION BELONGING TO HAMMOND POWER SOLUTIONS AND MUST NOT BE DISTRIBUTED OUTSIDE AUTHORIZED PARTIES.

**POWER SOLUTIONS**  
Guelph, ONT  
Hyderabad, IN Compton, CA

**HPS Sentinel™ G**  
Energy Efficient Distribution Transformer  
Transformateur de Distribution à Bon Rendement Énergétique

Baraboo, WI  
Monterrey, MX

Part No. **SG3A0075BK**

**LISTED** LR 3902  
 DRY TYPE TRANSFORMER 8003423172280 15  
 ALSO REFER TO CONNECTION DIAGRAMS AND STANDARDS C100-18  
 BY UNDERWRITERS LABORATORIES INC. © 2016

Cust. Ref. Ref. du Client	Serial No. No. de Serie	480Y/277V	90.2A		
Phase	3	HV/HT	10 kV		
Type	K	BIL	H0 H1 H2 H3		
Cooling Refroidissement	ANN	Term Bornes	208V	208A	
kVA	75	LV/BT	10 kV		
Temp. Rise Échauffement	150 °C	BIL	X1 X2 X3		
Temp Class Classe Temp	220 °C	Term Bornes	DOE 10 CFR PART 431:2016		
Winding Enroulement	AL	Energy Regulations de Énergétique	CEE ACT SOR/2018-201		
Frequency Fréquence Hz	60				
Impedance % @ 170 °C	5.3				
Encl. Type Type de Coffrage	3R				
Weight Poids	565				

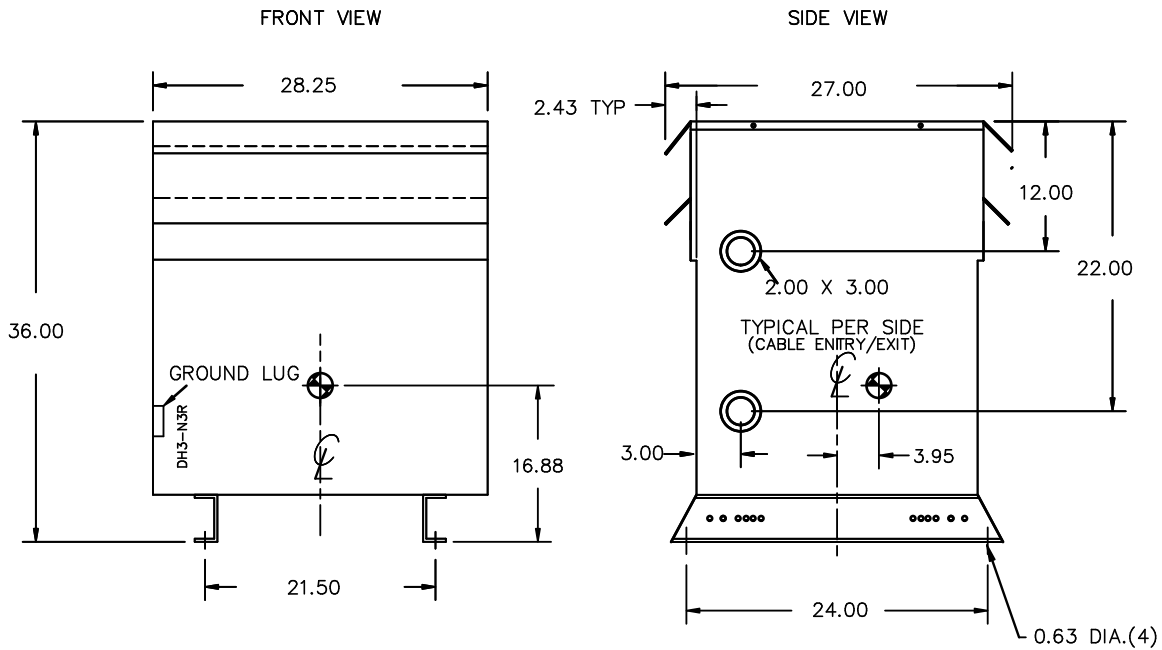
VOLTS	CURRENT COURANT	% RATED % TENSION NOMINALE	CONNECTION EACH PHASE CONNECTION PAR PHASE
218	198	105	1
213	203	102.5	2
208	208	100	3
203	214	97.5	4
198	219	95	5
192	225	92.5	6
187	231	90	7

SPACINGS BETWEEN ANY VENTILATED ENCLOSURE PANEL AND ANY ADJACENT WALL SHALL BE A MINIMUM OF 3 INCHES

TRANSFORMER SUITABLE FOR STEP UP OPERATION ONLY

SEISMIC QUALIFICATIONS:  
AS FLOOR MOUNT ONLY  
IBC 2018/ASCE 7-16  
SDS<=2.0g Z/h=1 Ip=1.5

d000186hb



All Dimensions in inches

ENCLOSURE COLOR :ANSI 61 GREY – OUTDOOR

HV TERMINAL DETAIL

LV TERMINAL DETAIL

MECHANICAL TYPE LUGS INCLUDED  
SUITABLE FOR #2/0-14 CU/AL  
CONDUCTORS  
1 CONDUCTOR PER PHASE

MECHANICAL TYPE LUGS INCLUDED  
SUITABLE FOR 600MCM-2 CU/AL  
CONDUCTORS  
1 CONDUCTOR PER PHASE

CUSTOMER NOTES:

- HV TERMINATED AT BOTTOM FRONT
- LV TERMINATED AT TOP FRONT



TITLE: 3PH DISTRIBUTION TRANSFORMER

3	21/07/16	PP	EDB UPDATE	DES: JWEN
2	20/03/17	PP	SEISMIC UPDATE	DATE: 15/11/09
NO.	DATE	BY	REVISION	SCALE: NTS

SHEET 2 OF 3

EDBSC3A0075BK

ENCLOSURE BOTTOM VIEW



NOTE:  
 WHEN BOTTOM CABLE ENTRY IS OPTED, THE SPACE USED FOR CONDUITS IN THE FRONT OF THE TRANSFORMER SHOULD NOT OBSTRUCT MORE THAN 50% OF THE FRONT AIR INTAKE AREA DEFINED BETWEEN THE BOTTOM PLATE AND THE SUPPORTING LEGS.  
 SEE MANUAL FOR ADDITIONAL INFORMATION



TITLE: 3PH DISTRIBUTION TRANSFORMER  
 ENCLOSURE BOTTOM VIEW

3	21/07/16	PP	EDB UPDATE	DES: JWEN
2	20/03/17	PP	SEISMIC UPDATE	DATE: 15/11/09
NO.	DATE	BY	REVISION	SCALE: NTS

SHEET 3 OF 3

EDBSC3A0075BK