



TITLE: 3PH DISTRIBUTION TRANSFORMER  
NAMEPLATE INFORMATION

NO.	DATE	BY	REVISION
2	21/07/16	PP	EDB UPDATE
1	20/03/17	PP	SEISMIC UPDATE
			DES: RMOVVA
			DATE: 18/05/25
			SCALE: NTS

SHEET 1 OF 3

EDBSC3A0075BB0C

2.0 httpd 2026/04/02 03:58

THIS DRAWING CONTAINS STRICTLY CONFIDENTIAL INFORMATION BELONGING TO HAMMOND POWER SOLUTIONS AND MUST NOT BE DISTRIBUTED OUTSIDE AUTHORIZED PARTIES.

**POWER SOLUTIONS**  
Guelph, ONT  
Hyderabad, IN Compton, CA

**HPS Sentinel™ G**  
Energy Efficient Distribution Transformer  
Transformateur de Distribution à Bon Rendement Énergétique

Baraboo, WI  
Monterrey, MX

Part No. **SG3A0075BB0C**

Cust. Ref. [ ] Serial No. [ ]  
Ref. du Client [ ] No. de Serie [ ]

Phase 3 HV/HT 208V 208A

Type K BIL 10 kV

Cooling Refroidissement ANN Term Bornes H1 H2 H3

kVA 75 LV/BT 208Y/120V 208A

Temp. Rise Echauffement 150 °C BIL 10 kV

Temp Class Classe Temp 220 °C Term Bornes X0 X1 X2 X3

Winding Enroulement CU Energy Regulations DOE 10 CFR PART 431:2016

Frequency Fréquence Hz 60 Reglements de l'Energétique CEE ACT SOR/2018-201

Impedance % @ 170 °C 3.6

Encl. Type Type de Coffrage 3R

Weight Poids lbs 695

VOLTS	CURRENT COURANT	% RATED VOLTAGE % TENSION NOMINALE	CONNECTION EACH PHASE CONNECTION PAR PHASE
218	198	105	1
213	203	102.5	2
208	208	100	3
203	214	97.5	4
198	219	95	5
192	225	92.5	6
187	231	90	7

SEISMIC QUALIFICATIONS:  
AS FLOOR MOUNT ONLY  
IBC 2018/ASCE 7-16  
SDS<=2.0g Z/h=1 Ip=1.5

LISTED

UL E112313

DRY TYPE TRANSFORMER 77US

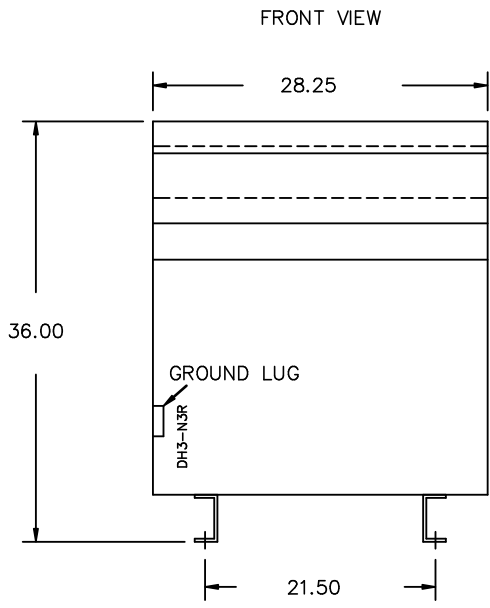
LR 3902

03423112728

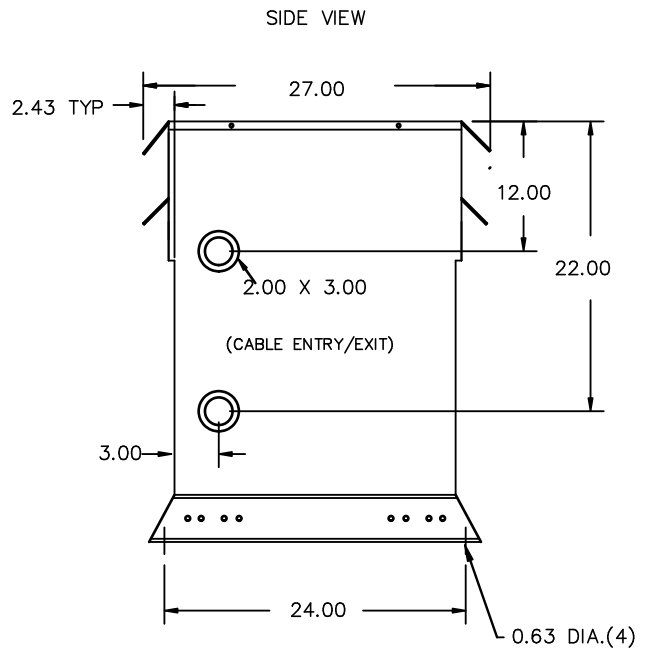
ALSO REFER TO ENERGY STANDARDS C900-18 BY UNDERWRITERS LABORATORIES INC. 0148

SPACINGS BETWEEN ANY VENTILATED ENCLOSURE PANEL AND ANY ADJACENT WALL SHALL BE A MINIMUM OF 3 INCHES

d000186hb



All Dimensions in inches



ENCLOSURE COLOR :ANSI 61 GREY – OUTDOOR

HV TERMINAL DETAIL

LV TERMINAL DETAIL

MECHANICAL TYPE LUGS INCLUDED  
SUITABLE FOR 600MCM-2 CU/AL  
CONDUCTORS  
1 CONDUCTOR PER PHASE

MECHANICAL TYPE LUGS INCLUDED  
SUITABLE FOR 600MCM-2 CU/AL  
CONDUCTORS  
1 CONDUCTOR PER PHASE

CUSTOMER NOTES:

- HV TERMINATED AT TOP FRONT
- LV TERMINATED AT BOTTOM FRONT



TITLE: 3PH DISTRIBUTION TRANSFORMER

NO.	DATE	BY	REVISION	SCALE:
2	21/07/16	PP	EDB UPDATE	DES: RMOVVA
1	20/03/17	PP	SEISMIC UPDATE	DATE: 18/05/25
				SCALE: NTS

SHEET 2 OF 3

EDBSC3A0075BBOC

ENCLOSURE BOTTOM VIEW



NOTE:  
 WHEN BOTTOM CABLE ENTRY IS OPTED, THE SPACE USED FOR CONDUITS IN THE FRONT OF THE TRANSFORMER SHOULD NOT OBSTRUCT MORE THAN 50% OF THE FRONT AIR INTAKE AREA DEFINED BETWEEN THE BOTTOM PLATE AND THE SUPPORTING LEGS.  
 SEE MANUAL FOR ADDITIONAL INFORMATION



TITLE: 3PH DISTRIBUTION TRANSFORMER  
 ENCLOSURE BOTTOM VIEW

2	21/07/16	PP	EDB UPDATE	DES: RMOVVA
1	20/03/17	PP	SEISMIC UPDATE	DATE: 18/05/25
NO.	DATE	BY	REVISION	SCALE: NTS

SHEET 3 OF 3

EDBSC3A0075BBOC