



TITLE: 3PH DISTRIBUTION TRANSFORMER
NAMEPLATE INFORMATION

NO.	DATE	BY	REVISION
4	21/12/13	CS	EDB UPDATE
3	21/07/16	PP	EDB UPDATE


DES:	JWEN
DATE:	15/11/09
SCALE:	NTS

SHEET 1 OF 3

EDBSG3A0045PB

4.0 httpd 2026/04/02 17:35

THIS DRAWING CONTAINS STRICTLY CONFIDENTIAL INFORMATION BELONGING TO HAMMOND POWER SOLUTIONS AND MUST NOT BE DISTRIBUTED OUTSIDE AUTHORIZED PARTIES.



POWER SOLUTIONS
Guelph, ONT
Hyderabad, IN Compton, CA

HPS Sentinel™ G
Energy Efficient Distribution Transformer
Transformateur de Distribution à Bon Rendement Énergétique

Baraboo, WI
Monterrey, MX

Part No. **SG3A0045PB**

DRY TYPE TRANSFORMER
77US
E112313

LR 3902

03423172528

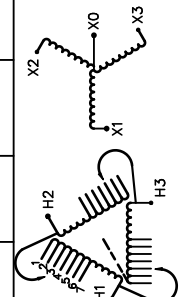
ALSO REFER TO ENERGY STANDARDS CODES BY UNDERWRITERS LABORATORIES INC. @ 316

LISTED

SPACINGS BETWEEN ANY VENTILATED ENCLOSURE PANEL AND ANY ADJACENT WALL SHALL BE A MINIMUM OF 3 INCHES

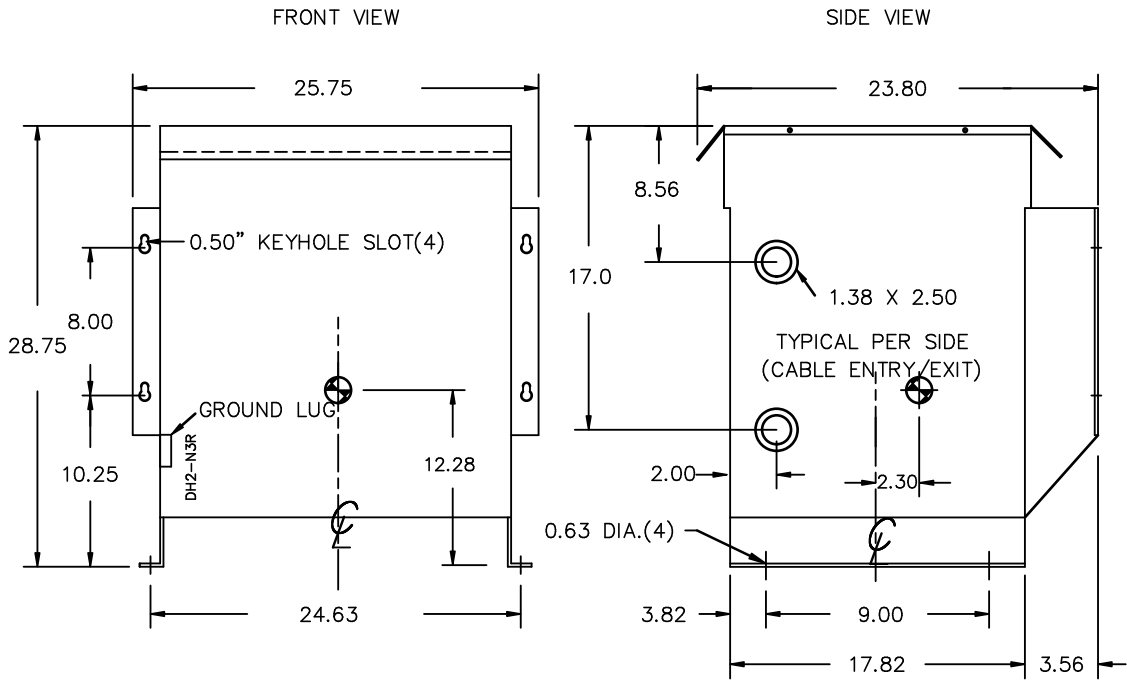
VOLTS	CURRENT COURANT	% RATED % TENSION NOMINALE	CONNECTION EACH PHASE CONNECTION PAR PHASE
630	41.2	105	1
615	42.2	102.5	2
600	43.3	100	3
585	44.4	97.5	4
570	45.6	95	5
555	46.8	92.5	6
540	48.1	90	7

Cust. Ref. Ref. du Client	Serial No. No. de Serie	600V	43.3A
Phase	HV/HT	10 kV	
Type	BIL	H1 H2 H3	
Cooling Refroidissement	ANN	208Y/120V	125A
kVA	45	10 kV	
Temp. Rise Échauffement	150 °C	Term Bornes	X0 X1 X2 X3
Temp Class Classe Temp	220 °C	Energy Regulations Règlements de l'Énergétique	DOE 10 CFR PART 431:2016
Winding Enroulement	AL	CEE ACT SOR/2018-201	
Frequency Fréquence Hz	60		
Impedance % @ 170 °C	4.1		
Encl. Type Type de Coffrage	3R		
Weight lbs/kg Poids	408/186		



SEISMIC QUALIFICATIONS:
OSP=0136/IBC 2018/ASCE 7-16
SDS<=2.0g Z/h=1 Ip=1.5

d000186hb



All Dimensions in inches

ENCLOSURE COLOR : ANSI 61 GREY – OUTDOOR

HV TERMINAL DETAIL

LV TERMINAL DETAIL

MECHANICAL TYPE LUGS INCLUDED
SUITABLE FOR #14-2 CU/AL
CONDUCTORS
1 CONDUCTOR PER PHASE

MECHANICAL TYPE LUGS INCLUDED
SUITABLE FOR 250MCM-6 CU/AL
CONDUCTORS
1 CONDUCTOR PER PHASE

CUSTOMER NOTES:

- HV TERMINATED AT TOP FRONT
- LV TERMINATED AT BOTTOM FRONT



TITLE: 3PH DISTRIBUTION TRANSFORMER

4	21/12/13	CS	EDB UPDATE	DES: JWEN
3	21/07/16	PP	EDB UPDATE	DATE: 15/11/09
NO.	DATE	BY	REVISION	SCALE: NTS

SHEET 2 OF 3

EDBSC3A0045PB

ENCLOSURE BOTTOM VIEW



NOTE:
 WHEN BOTTOM CABLE ENTRY IS OPTED, THE SPACE USED FOR CONDUITS IN THE FRONT OF THE TRANSFORMER SHOULD NOT OBSTRUCT MORE THAN 50% OF THE FRONT AIR INTAKE AREA DEFINED BETWEEN THE BOTTOM PLATE AND THE SUPPORTING LEGS.
 SEE MANUAL FOR ADDITIONAL INFORMATION



TITLE: 3PH DISTRIBUTION TRANSFORMER
 ENCLOSURE BOTTOM VIEW

4	21/12/13	CS	EDB UPDATE	DES: JWEN
3	21/07/16	PP	EDB UPDATE	DATE: 15/11/09
NO.	DATE	BY	REVISION	SCALE: NTS

SHEET 3 OF 3

EDBSC3A0045PB