

**hammond**  
POWER SOLUTIONS



GUELPH, ONT. BARABOO,WI COMPTON,CA MONTERREY,MX



LR 3902  
GENERAL PURPOSE TRANSFORMER 252L E50394

**HPS UNIVERSAL™**  
DRY TYPE ISOLATION/BUCK-BOOST TRANSFORMER

HV/HT	120V X 240V				Cust. Ref. Réf. du client	
BIL	-				Serial No. No. de série	
TERM. BORNES	H1	H3	H2	H4	Part No. No. de pièce	Q002ESCF
	VOLTS	CURRENT COURANT	% RATED VOLTAGE % TENSION NOMINALE	CONNECTION EACH PHASE CONNEXION PAR PHASE	PHASE	
					kVA	2.0
					TYPE	Q
					Cooling Refroidissement	ANC
					Temp. Rise Echauffement	115 °C
					Temp. Class Classe de Temp.	180 °C
					Frequency Fréquence	50/60Hz
LV/BT	16V/32V				Impédance % ⊙ °C	
BIL	-				Encl. Type Type de boîtier	3R
TERM. BORNES	X4	X2	X3	X1	Wt Poids lbs/kg	55.6/25.2
					Winding Enroulement	COPPER

This transformer can be wired as both an isolation transformer and buck-boost transformer. Refer to wiring instruction for details.

0001073bn



**hammond**  
POWER SOLUTIONS

TITLE: 1 PH BUCK BOOST TRANSFORMER  
NAMEPLATE INFORMATION

1	21/07/13	PP	EDB UPDATE	DES: WWONG
NO.	DATE	BY	REVISION	SCALE: NTS

SHEET 1 OF 2

EDBQ002ESCF

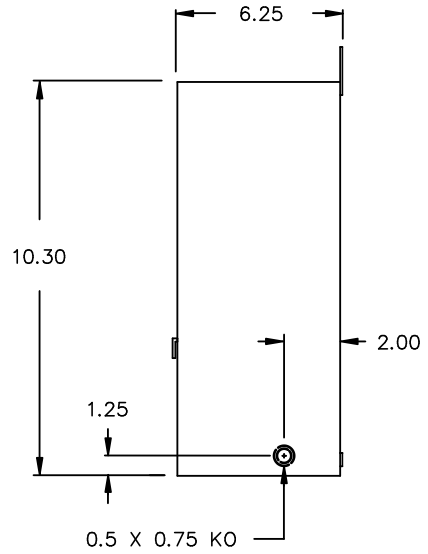
1.1 http://2026/06/24 21:14

THIS DRAWING CONTAINS STRICTLY CONFIDENTIAL INFORMATION BELONGING TO HAMMOND POWER SOLUTIONS AND MUST NOT BE DISTRIBUTED OUTSIDE AUTHORIZED PARTIES.

FRONT VIEW



SIDE VIEW

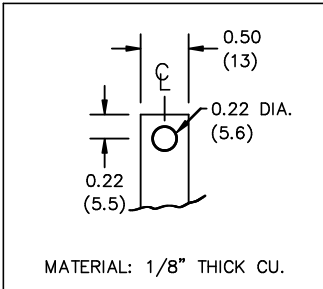


FRONT & BOTTOM PANEL IS HINGED FOR ACCESS TO TERMINALS, BOTTOM MOUNTING HOLES AND REAR KNOCKOUT.

All Dimensions in inches

ENCLOSURE COLOR : ANSI 61 GREY – OUTDOOR

L.V.1. TERMINAL DETAIL



CUSTOMER NOTES:

- HV1 TERMINATED AT #14 AWG LEAD WIRE
- LV1 TERMINATED AT (SEE TERM DETAIL)



TITLE: 1 PH BUCK BOOST TRANSFORMER

1	21/07/13	PP	EDB UPDATE	DES: WWONG
NO.	DATE	BY	REVISION	SCALE: NTS

SHEET 2 OF 2

EDB0002ESCF

1.1 httpd 2026/06/24 21:14

THIS DRAWING CONTAINS STRICTLY CONFIDENTIAL INFORMATION BELONGING TO HAMMOND POWER SOLUTIONS AND MUST NOT BE DISTRIBUTED OUTSIDE AUTHORIZED PARTIES.