

**hammond**  
POWER SOLUTIONS

GUELPH, ONT. BARABOO, WI. COMPTON, CA. MONTERREY, MX



HPS UNIVERSAL™  
DRY TYPE ISOLATION/BUCK-BOOST TRANSFORMER

|              |             |                 |                                    |   |
|--------------|-------------|-----------------|------------------------------------|---|
| HV/HT        | 240X480V    |                 |                                    |   |
| BIL          | -           |                 |                                    |   |
| TERM. BORNES | H1 H3 H2 H4 |                 |                                    |   |
|              | VOLTS       | CURRENT COURANT | % RATED VOLTAGE % TENSION NOMINALE | CONNECTION EACH PHASE CONNEXION PAR PHASE |
|              |             |                 |                                    |   |
| LV/BT        | 24/48V      |                 |                                    |   |
| BIL          | -           |                 |                                    |   |
| TERM. BORNES | X4 X2 X3 X1 |                 |                                    |   |

|                             |          |
|-----------------------------|----------|
| Cust. Ref. Réf. du client   |          |
| Serial No. No. de série     |          |
| Part No. No. de pièce       | Q002DTCF |
| PHASE                       | 1        |
| kVA                         | 2        |
| TYPE                        | Q        |
| Cooling Refroidissement     | ANC      |
| Temp. Rise Échauffement     | 115 °C   |
| Temp. Class Classe de Temp. | 180 °C   |
| Frequency Fréquence         | 50/60Hz  |
| Impédance % @ °C            |          |
| Encl. Type Type de boîtier  | 3R       |
| Wt Poids lbs/kg             | 48.5/22  |
| Winding Enroulement         | COPPER   |

This transformer can be wired as both an isolation transformer and buck-boost transformer. Refer to wiring instructions for details.

d001073bnsrm



**hammond**  
POWER SOLUTIONS

TITLE: 1 PHASE ENCAPSULATED TRANSFORMER  
NAMEPLATE INFORMATION

|     |          |    |                        |                |
|-----|----------|----|------------------------|----------------|
| 3   | 26/04/17 | MS | UPDATED PER NEW DESIGN | DES: WWONG     |
| 2   | 26/03/24 | LC | CHANGED NPL VER:       | DATE: 03/12/19 |
| NO. | DATE     | BY | REVISION               | SCALE: NTS     |

SHEET 1 OF 2

EDBQ002DTCF

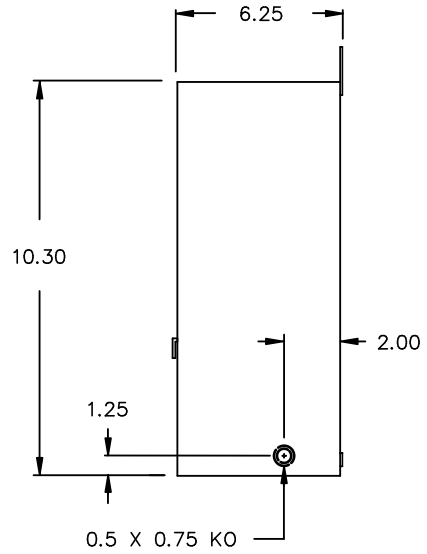
FRONT VIEW



FRONT & BOTTOM PANEL IS HINGED FOR ACCESS TO TERMINALS, BOTTOM MOUNTING HOLES AND REAR KNOCKOUT.

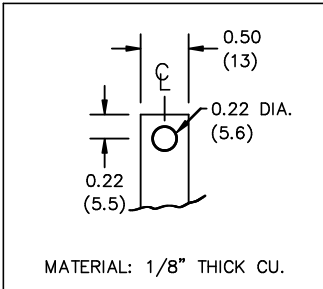
All Dimensions in inches

SIDE VIEW



ENCLOSURE COLOR : ANSI 61 GREY – OUTDOOR

LV TERMINAL DETAIL



CUSTOMER NOTES:

- HV TERMINATED AT #18 AWG LEAD WIRE
- LV TERMINATED AT (SEE TERM DETAIL)



TITLE: 1 PHASE ENCAPSULATED TRANSFORMER

|     |          |    |                        |                |
|-----|----------|----|------------------------|----------------|
| 3   | 26/04/17 | MS | UPDATED PER NEW DESIGN | DES: WWONG     |
| 2   | 26/03/24 | LC | CHANGED NPL VER:       | DATE: 03/12/19 |
| NO. | DATE     | BY | REVISION               | SCALE: NTS     |

SHEET 2 OF 2

EDB0002DTCF