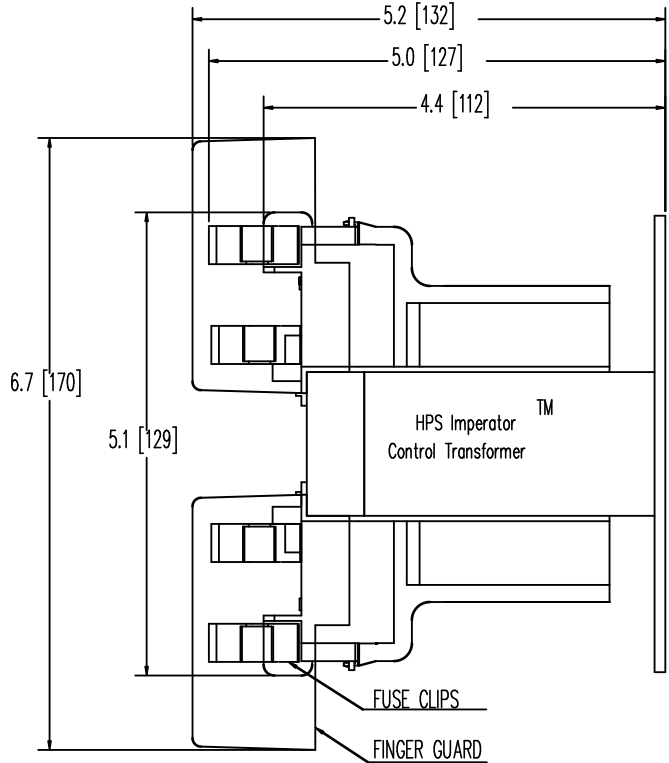
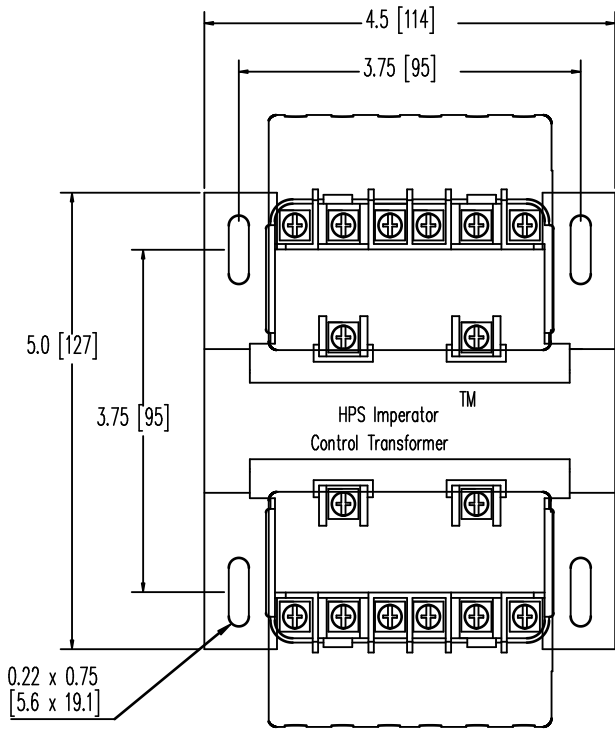


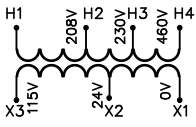


FOR APPROVAL ONLY



* TOLERANCES STD. +/- 0.1 INCHES [+/- 3 MM]
 * ALL DIMENSIONS IN INCHES [MM]

* SECONDARY FUSE CLIPS ARE SUPPLIED LOOSE WITH TRANSFORMER
 * PRIMARY FUSE CLIPS ARE OPTIONAL
 * PRIMARY AND SECONDARY FINGER GUARD ARE OPTIONAL

 <p>Hammond Power Solutions</p> <p>CE</p> <p>250 VA 50/60 Hz 80 °C RISE</p> <p>np1390c</p> <p>MADE IN CHINA</p>	<table style="width: 100%; text-align: center;"> <tr> <td>460V</td> <td>230V</td> <td>208V</td> <td>0V</td> <td>115V</td> <td>24V</td> <td>0V</td> </tr> <tr> <td>●</td> <td>●</td> <td>●</td> <td>●</td> <td>●</td> <td>●</td> <td>●</td> </tr> <tr> <td>6</td> <td>5</td> <td>4</td> <td>3</td> <td>2</td> <td>1</td> <td></td> </tr> <tr> <td>●</td> <td>●</td> <td>●</td> <td>●</td> <td>●</td> <td>●</td> <td>●</td> </tr> <tr> <td>1</td> <td>2</td> <td>3</td> <td>4</td> <td>5</td> <td>6</td> <td></td> </tr> </table>	460V	230V	208V	0V	115V	24V	0V	●	●	●	●	●	●	●	6	5	4	3	2	1		●	●	●	●	●	●	●	1	2	3	4	5	6		<p style="text-align: right;">CAT.NO. PH250MLI</p> <p style="text-align: center;">C  US LISTED 252L E50394 130-6</p> <p style="text-align: center;">INDUSTRIAL CONTROL TRANSFORMER</p> 
460V	230V	208V	0V	115V	24V	0V																															
●	●	●	●	●	●	●																															
6	5	4	3	2	1																																
●	●	●	●	●	●	●																															
1	2	3	4	5	6																																
CUST. REF. PATENT PENDING																																					

NOTES:



TITLE: IMPERATOR CONTROL TRANSFORMER

SHEET 1 OF 1

EDBPH250MLI

				DES: WWONG
				DATE: 07/06/18
NO.	DATE	BY	REVISION	SCALE: NTS

0.2 Icen 2021/04/22 10:22