



– IMPEDANCE SHOWN IS CALCULATED VALUE – NOT GUARANTEED  
 – SERIAL NUMBER AND TESTED IMPEDANCE WILL BE SHOWN ON TRANSFORMER NAMEPLATE

d000590hb



**POWER SOLUTIONS**

**Distribution Transformer**  
**Transformateur de Distribution**



LR 3902  
 DISTRIBUTION TRANSFORMER  
 E147879  
**LISTED**

Guelph, ONT Compton, CA Baraboo, WI Monterrey, MX  
 Hyderabad, IN

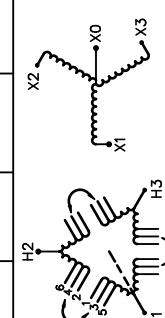
Part No. MG3A1250SBSCHCO

8 03423 13446 4

ALSO VERIFIED IN ACCORDANCE TO ENERGY STANDARD C802.2-18 BY UNDERWRIERS LABORATORIES INC. 3106

VOLTS	CURRENT COURANT	% RATED VOLTAGE % NOMINALE	CONNECTION CONNECTION PAR PHASE
4368	165	105	1-2
4264	169	102.5	2-3
4160	173	100	3-4
4056	178	97.5	4-5
3952	183	95	5-6

SPACINGS BETWEEN ANY VENTILATED ENCLOSURE PANEL AND ANY ADJACENT WALL SHALL BE A MINIMUM OF 12 INCHES BOTH SETS OF HV TAPS MUST BE ON SAME CONNECTION SEISMIC QUALIFICATIONS, FLOOR MOUNT ONLY QUALIFICATIONS SSIQUES, MONTAGE AU SOL SELLEMENT OSP-0136-10 IBC 2012/ASCE 7-10 SDS<=2.0G Z/H=1 IP=1.5



Serial No.	
HV/HT	4160V 173A
BIL	30 kV
Term Bornes	H1 H2 H3
LV/BT	208Y/120V 3470A
BIL	10 kV
Term Bornes	X0 X1 X2 X3
Energy Regulations	DOE 10 CFR PART 431:2016
Reglements Energetique	CEE ACT SOR/2018-201

Cust. Ref. Ref. du Client	
Phase	3
Type	K
Cooling Refroidissement	ANN
kVA	1250
Temp. Rise Echauffement	150 °C
Temp Class Classe Temp	220 °C
Winding Enroulement	CU
Frequency Fréquence Hz	60
Impedance % @ 170 °C	4.2
End. Type/Category Type ou catégorie de boîtier	3R C
Weight Poids lbs	9950

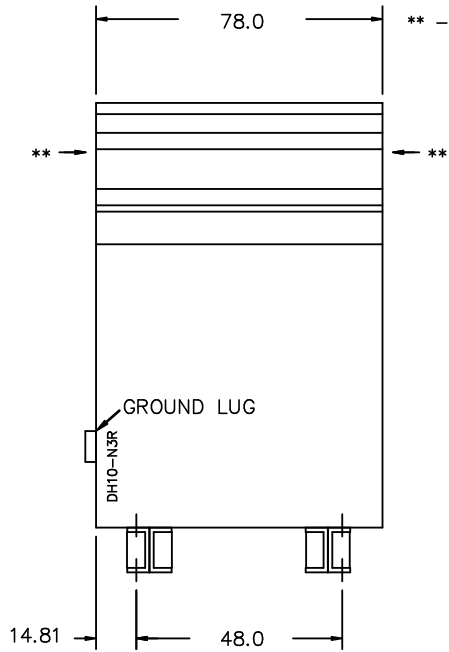


TITLE: 3PH POWER TRANSFORMER NAMEPLATE INFORMATION			
NO.	DATE	BY	REVISION
2	21/07/16	PP	EDB UPDATE
1	20/03/17	PP	SEISMIC UPDATE
			DES: ASETH
			DATE: 19/11/05
			SCALE: NTS

SHEET 1 OF 2  
 EDBMG3A1250SBSCHCO  
 2.0 http://www.hammond.com/2026/06/03/08:23

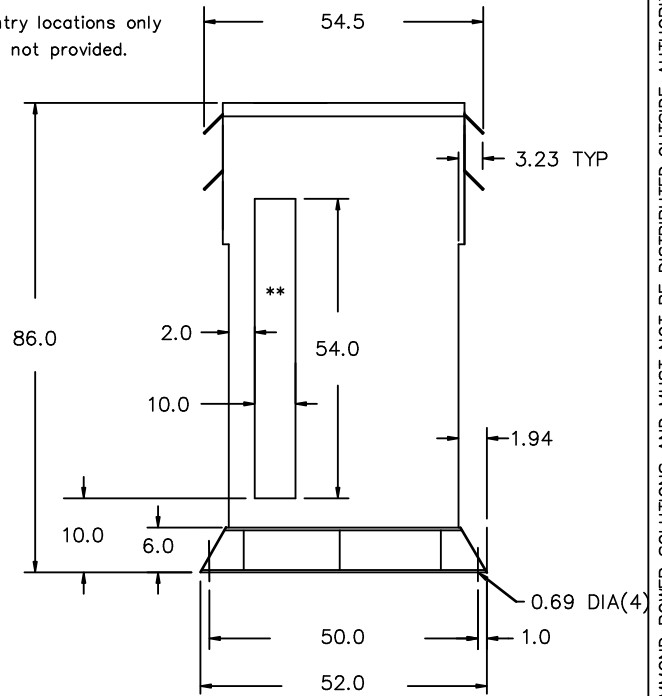
THIS DRAWING CONTAINS STRICTLY CONFIDENTIAL INFORMATION BELONGING TO HAMMOND POWER SOLUTIONS AND MUST NOT BE DISTRIBUTED OUTSIDE AUTHORIZED PARTIES.

FRONT VIEW



\*\* - Recommended cable entry locations only  
cutouts & gland plates not provided.

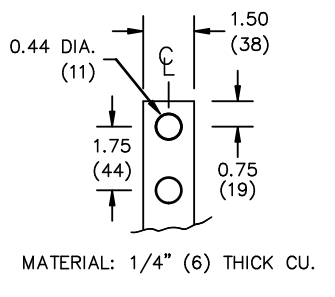
SIDE VIEW



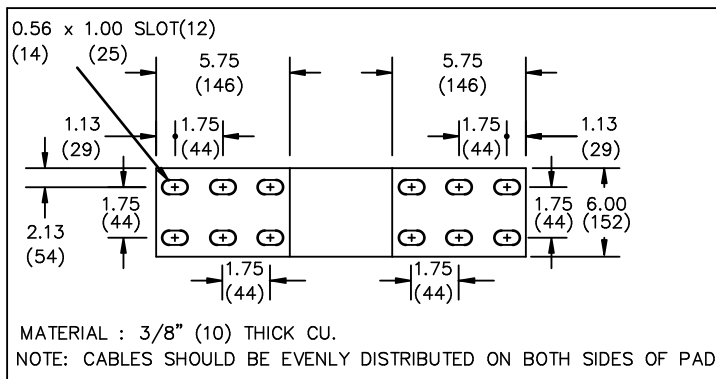
All Dimensions in inches

ENCLOSURE COLOR : ANSI 61 GREY - OUTDOOR

H.V.1. TERMINAL DETAIL



L.V.1. TERMINAL DETAIL



CUSTOMER NOTES:

- HV1 TERMINATED AT TOP FRONT
- LV1 TERMINATED AT TOP REAR



TITLE: 3PH POWER TRANSFORMER

2	21/07/16	PP	EDB UPDATE	DES: ASETH
1	20/03/17	PP	SEISMIC UPDATE	DATE: 19/11/05
NO.	DATE	BY	REVISION	SCALE: NTS

SHEET 2 OF 2

EDBMC3A1250SBSCHCO