


- IMPEDANCE SHOWN IS CALCULATED VALUE

d000590hb



POWER SOLUTIONS

Distribution Transformer
Transformateur de Distribution

Part No. MG3A1000SKSAHCO

Baraboo, WI
Monterrey, MX

Serial No. []
No. de Serie []

HV/HT 4160V

BIL 30 kV

Term Bornes H1 H2 H3

LV/BT 480Y/277V, 1203A

BIL 10 kV

Term Bornes X0 X1 X2 X3

Energy Regulations DOE 10 CFR PART 431:2016

Reglements Energetique CEE ACT SOR/2018-201

Hyderabad, IN
Compton, CA

Cust. Ref. []
Ref. du Client []

Phase 3

Type K

Cooling Refroidissement AA

kVA 1000

Temp. Rise Echauffement 150 °C

Temp Class Classe Temp 220 °C

Winding Enroulement AL


Frequency Fréquence Hz 60

Impedance % @ 170 °C 5.8

End. Type/Category Type ou catégorie de boîtier 3R C

Weight lbs/kg Poids 7500/3402

LR 3902



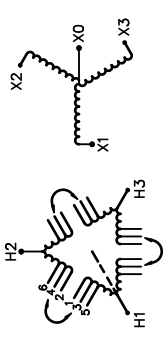
LISTED

8 03423 13290 3

ALSO VERIFIED IN ACCORDANCE TO ENERGY STANDARD C802.2-18 BY UNDERWRIERS LABORATORIES INC. 316

SPACINGS BETWEEN ANY VENTILATED ENCLOSURE PANEL AND ANY ADJACENT WALL SHALL BE A MINIMUM OF 12 INCHES

VOLTS	CURRENT COURANT	% RATED VOLTAGE NOMINALE	CONNECTION FOR CONNECTION PAR PHASE
4368	132	105	1-2
4264	135	102.5	2-3
4160	139	100	3-4
4056	142	97.5	4-5
3952	146	95	5-6



SEISMIC QUALIFICATIONS:
AS FLOOR MOUNT ONLY
IBC 2018/ASCE 7-16
SDS<=2.0g Z/n=0 Ip=1.5

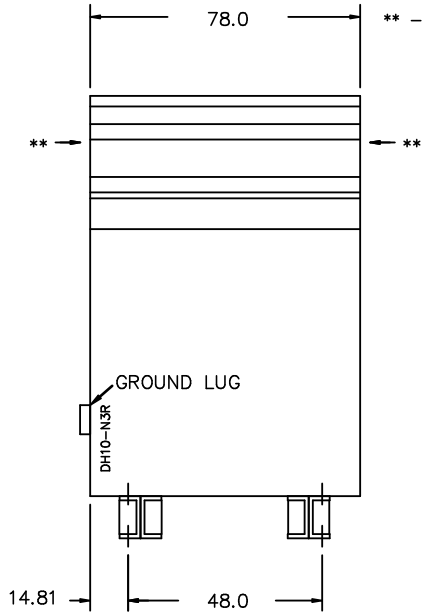


TITLE: 3PH POWER TRANSFORMER NAMEPLATE INFORMATION			
6	25/07/14	DC	ADDED CLEARANCES
5	23/11/07	PP	REVISED NPL
NO.	DATE	BY	REVISION
		DES:	ASETH
		DATE:	15/11/23
		SCALE:	NTS

SHEET 1 OF 3

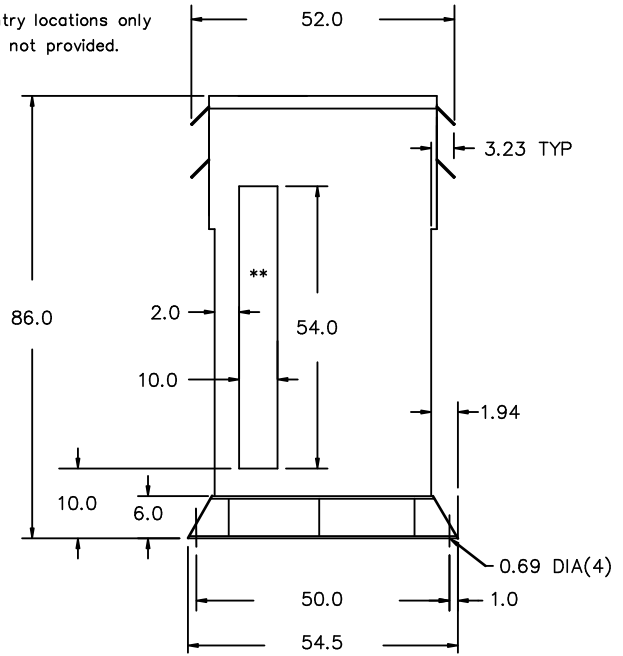
EDBMG3A1000SKSAHCO

FRONT VIEW



** - Recommended cable entry locations only
cutouts & gland plates not provided.

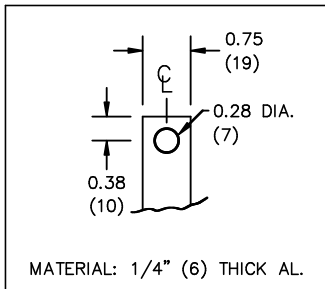
SIDE VIEW



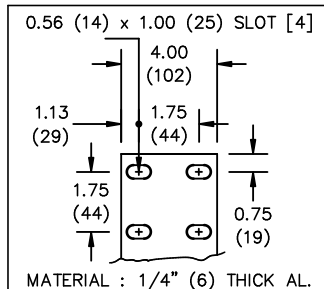
All Dimensions in inches

ENCLOSURE COLOR : ANSI 61 GREY - OUTDOOR

H.V.1. TERMINAL DETAIL



L.V.1. TERMINAL DETAIL



CUSTOMER NOTES:

- HV1 TERMINATED AT TOP FRONT
- LV1 TERMINATED AT BOTTOM FRONT



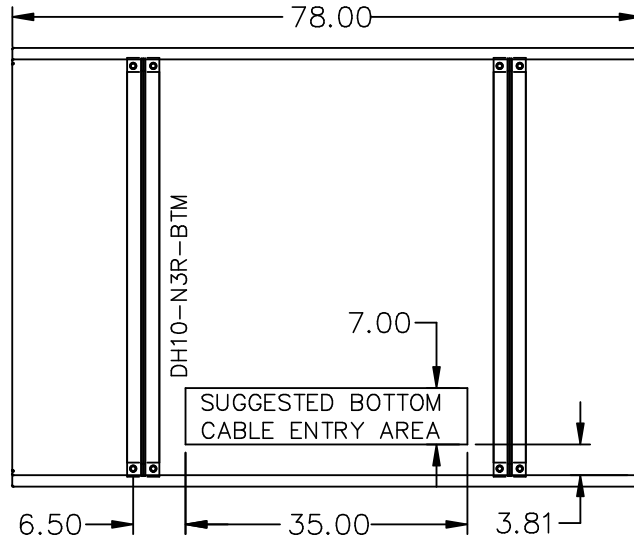
TITLE: 3PH POWER TRANSFORMER
MECHANICAL DETSILS

6	25/07/14	DC	ADDED CLEARANCES	DES: ASETH
5	23/11/07	PP	REVISED NPL	DATE: 15/11/23
NO.	DATE	BY	REVISION	SCALE: NTS

SHEET 2 OF 3

EDBMC3A1000SKSAHCO

ENCLOSURE BOTTOM VIEW



NOTE:
 WHEN BOTTOM CABLE ENTRY IS OPTED, THE SPACE USED FOR CONDUITS IN THE FRONT OF THE TRANSFORMER SHOULD NOT OBSTRUCT MORE THAN 50% OF THE FRONT AIR INTAKE AREA DEFINED BETWEEN THE BOTTOM PLATE AND THE SUPPORTING LEGS.
 SEE MANUAL FOR ADDITIONAL INFORMATION



TITLE: 3PH POWER TRANSFORMER
 ENCLOSURE BOTTOM VIEW

6	25/07/14	DC	ADDED CLEARANCES	DES: ASETH
5	23/11/07	PP	REVISED NPL	DATE: 15/11/23
NO.	DATE	BY	REVISION	SCALE: NTS

SHEET 3 OF 3

EDBMC3A1000SKSAHCO