



TITLE: 3PH DISTRIBUTION TRANSFORMER
NAMEPLATE INFORMATION

NO.	DATE	BY	REVISION

DES:	DCORTEZ
DATE:	25/02/04
SCALE:	NTS

SHEET 1 OF 3

EDBMC3A1000RPSCHCO

hammond
POWER SOLUTIONS

Distribution Transformer
Transformateur de Distribution

LR 3902
DISTRIBUTION TRANSFORMER
E147879

Hyderabad, IN Guelph, ONT Baraboo, WI 8 03423 13432 7
Compton, CA Monterrey, MX Part No. MG3A1000RPSCHCO

Serial No. [] HV/HT 2400V 241A

Type K BIL 20 kV

Cooling ANN Term Bornes H1 H2 H3

kVA 1000 LV/BT 600Y/346V 962A

Temp. Rise 150 °C BIL 10 kV

Echauffement 220 °C Term Bornes X0 X1 X2 X3

Temp Class CU Energy Regulations DOE 10 CFR PART 431:2016

Enroulement 60 Reglements de Energetique CEE ACT SOR/2018-201

Frequency 5.2 Impedance % @ 170 °C 3R C

End. Type/Category 5750/2609

Type ou categorie de boitier Poids

Weight lbs/kg

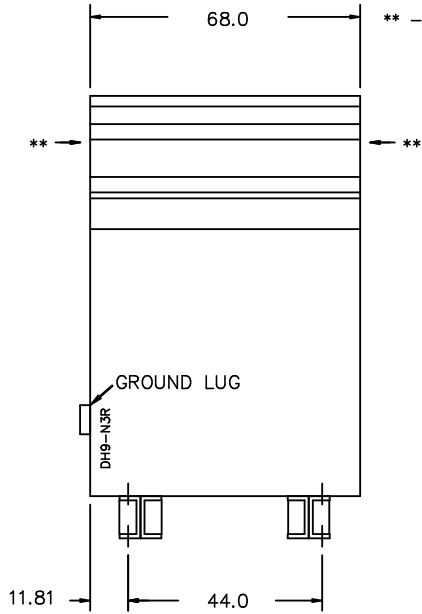
VOLTS	CURRENT COURANT	% RATED VOLTAGE NOMINALE	CONNECTION FOR CONNECTION PAR PHASE
2520	229	105	1-2
2460	235	102.5	2-3
2400	241	100	3-4
2340	247	97.5	4-5
2280	253	95	5-6

SEISMIC QUALIFICATIONS:
AS FLOOR MOUNT ONLY
IBC 2018/ASCE 7-16
SDS<=2.0g Z/n=0 Ip=1.5

SPACINGS BETWEEN ANY VENTILATED ENCLOSURE PANEL AND ANY ADJACENT WALL SHALL BE A MINIMUM OF 12 INCHES

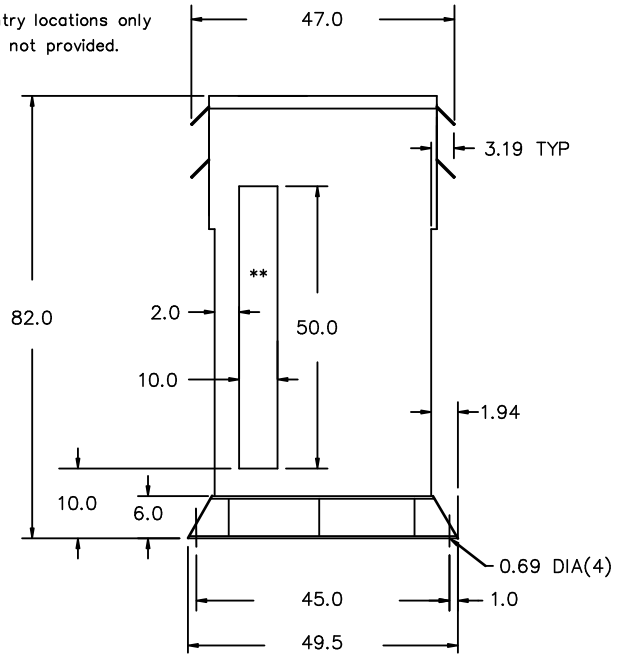
d000590hb

FRONT VIEW



** - Recommended cable entry locations only
cutouts & gland plates not provided.

SIDE VIEW



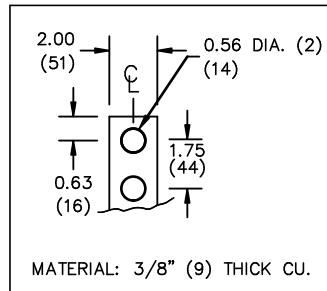
All Dimensions in inches

ENCLOSURE COLOR : ANSI 61 GREY - OUTDOOR

HV TERMINAL DETAIL

LV TERMINAL DETAIL

MECHANICAL TYPE LUGS INCLUDED
SUITABLE FOR 600MCM-2 CU/AL
CONDUCTORS
1 CONDUCTOR PER PHASE



CUSTOMER NOTES:

- HV TERMINATED AT TOP FRONT
- LV TERMINATED AT BOTTOM FRONT



TITLE: 3PH DISTRIBUTION TRANSFORMER

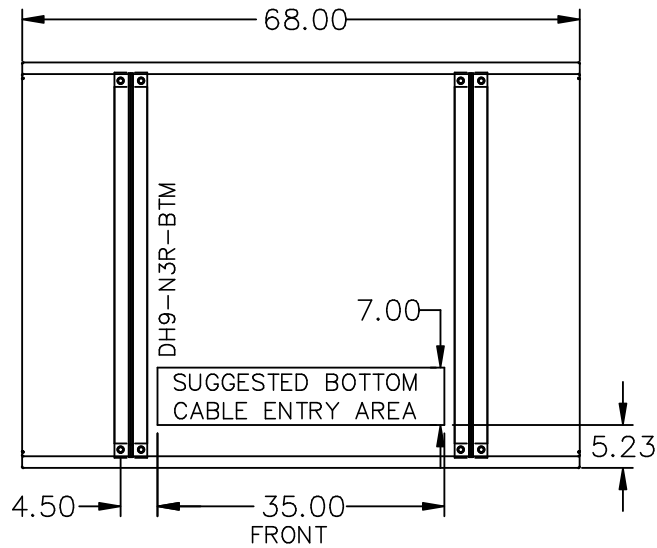
DES:	DCORTEZ
DATE:	25/02/04
SCALE:	NTS

NO.	DATE	BY	REVISION

SHEET 2 OF 3

EDBMG3A1000RPSCHCO

ENCLOSURE BOTTOM VIEW



NOTE:
 WHEN BOTTOM CABLE ENTRY IS OPTED, THE SPACE USED FOR CONDUITS IN THE FRONT OF THE TRANSFORMER SHOULD NOT OBSTRUCT MORE THAN 50% OF THE FRONT AIR INTAKE AREA DEFINED BETWEEN THE BOTTOM PLATE AND THE SUPPORTING LEGS.
 SEE MANUAL FOR ADDITIONAL INFORMATION



TITLE: 3PH DISTRIBUTION TRANSFORMER
 ENCLOSURE BOTTOM VIEW

				DES: DCORTEZ
				DATE: 25/02/04
NO.	DATE	BY	REVISION	SCALE: NTS

SHEET 3 OF 3

EDBMC3A1000RPSCHCO