



- IMPEDANCE SHOWN IS CALCULATED VALUE

d000590hb



hammond
POWER SOLUTIONS

Distribution Transformer
Transformateur de Distribution

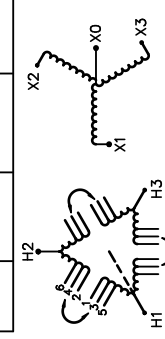


LR 3902
DISTRIBUTION TRANSFORMER
E147879 ALSO VERIFIED IN ACCORDANCE TO ENERGY STANDARD CBQ2.2-12
LISTED

Hyderabad, IN Guelph, ONT Baraboo, WI Monterrey, MX Part No. MG3A0750SPSCHCO

Cust. Ref.	Serial No.	HV/HT	4160V	104.1A	CONNECTION FOR CONNECTION PER PHASE
Ref. du Client	No. de Serie				1-2
Phase	3	BIL	30 kV		2-3
Type	K	Term Bornes	H1 H2 H3		3-4
Cooling Refroidissement	ANN	LV/BT	600Y/346V	722A	4-5
kVA	750	BIL	10 kV		5-6
Temp. Rise Echauffement	150 °C	Term Bornes	X0 X1 X2 X3		
Temp Class Classe Temp	220 °C	Energy Regulations Règlement Energétique	DOE 10 CFR PART 431:2016		
Winding Enroulement	CU	Frequency	60		
Frequency	60	Impedance % @ 170 °C	6.1		
End. Type/Category Type ou catégorie de boîtier	3R				
Weight Poids	4350				

VOLTS	CURRENT COURANT	% RATED VOLTAGE NOMINALE	CONNECTION FOR CONNECTION PER PHASE
4368	99.1	105	1-2
4264	101.6	102.5	2-3
4160	104.1	100	3-4
4056	106.8	97.5	4-5
3952	109.6	95	5-6



SEISMIC QUALIFICATIONS:
AS FLOOR MOUNT ONLY
IBC 2018/ASCE 7-16
SDS<=2.0g Z/n=0 Ip=1.5

SPACINGS BETWEEN ANY VENTILATED ENCLOSURE PANEL AND ANY ADJACENT WALL SHALL BE A MINIMUM OF 12 INCHES

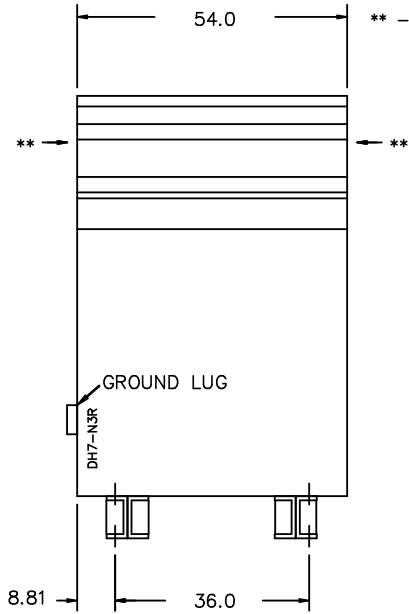


TITLE: 3PH DISTRIBUTION TRANSFORMER NAMEPLATE INFORMATION			
2	21/07/16	PP	EDB UPDATE
1	20/03/17	PP	SEISMIC UPDATE
NO.	DATE	BY	REVISION
			DES: MABDELAT
			DATE: 19/02/22
			SCALE: NTS

SHEET 1 OF 3
EDB MG3A0750SPSCHCO
2.0 httpd 2026/04/19 07:57

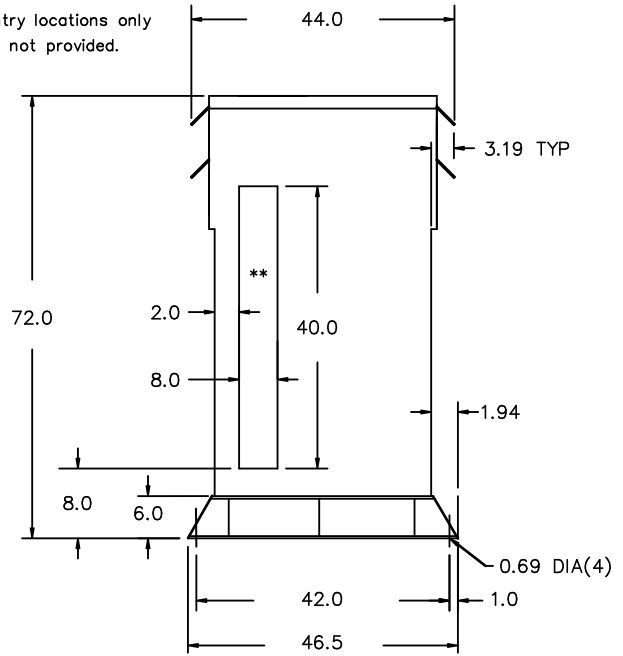
THIS DRAWING CONTAINS STRICTLY CONFIDENTIAL INFORMATION BELONGING TO HAMMOND POWER SOLUTIONS AND MUST NOT BE DISTRIBUTED OUTSIDE AUTHORIZED PARTIES.

FRONT VIEW



** - Recommended cable entry locations only
cutouts & gland plates not provided.

SIDE VIEW



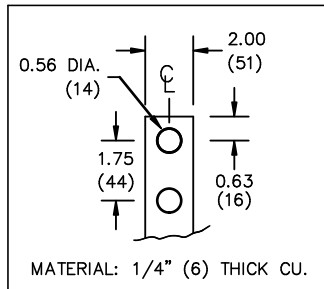
All Dimensions in inches

ENCLOSURE COLOR : ANSI 61 GREY - OUTDOOR

HV TERMINAL DETAIL

LV TERMINAL DETAIL

MECHANICAL TYPE LUGS INCLUDED
SUITABLE FOR 250MCM-6 CU/AL
CONDUCTORS
1 CONDUCTOR PER PHASE



CUSTOMER NOTES:

- HV TERMINATED AT TOP FRONT
- LV TERMINATED AT BOTTOM FRONT

THIS DRAWING CONTAINS STRICTLY CONFIDENTIAL INFORMATION BELONGING TO HAMMOND POWER SOLUTIONS AND MUST NOT BE DISTRIBUTED OUTSIDE AUTHORIZED PARTIES.



TITLE: 3PH DISTRIBUTION TRANSFORMER

2	21/07/16	PP	EDB UPDATE	DES: MABELLAT
1	20/03/17	PP	SEISMIC UPDATE	DATE: 19/02/22
NO.	DATE	BY	REVISION	SCALE: NTS

SHEET 2 OF 3

EDBMC3A0750SPSCHCO

2.0 httpd 2026/04/19 07:57

ENCLOSURE BOTTOM VIEW



NOTE:
 WHEN BOTTOM CABLE ENTRY IS OPTED, THE SPACE USED FOR CONDUITS IN THE FRONT OF THE TRANSFORMER SHOULD NOT OBSTRUCT MORE THAN 50% OF THE FRONT AIR INTAKE AREA DEFINED BETWEEN THE BOTTOM PLATE AND THE SUPPORTING LEGS.
 SEE MANUAL FOR ADDITIONAL INFORMATION



TITLE: 3PH DISTRIBUTION TRANSFORMER
ENCLOSURE BOTTOM VIEW

2	21/07/16	PP	EDB UPDATE	DES: MABDELAT
1	20/03/17	PP	SEISMIC UPDATE	DATE: 19/02/22
NO.	DATE	BY	REVISION	SCALE: NTS

SHEET 3 OF 3

EDBMC3A0750SPSCHCO