

- IMPEDANCE SHOWN IS CALCULATED VALUE

d000590hb

hammond Distribution Transformer
POWER SOLUTIONS Transformateur de Distribution



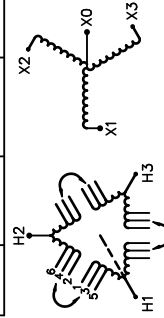
8 03423 13289 7
 ALSO VERIFIED IN ACCORDANCE
 TO ENERGY STANDARD C802.2-18
 BY UNDERWRITERS LABORATORIES INC. © 306

LISTED

SPACINGS BETWEEN ANY VENTILATED ENCLOSURE PANEL AND
 ANY ADJACENT WALL SHALL BE A MINIMUM OF 12 INCHES
 ESPACEMENTS ENTRE LES MURS ADJACENT DOIVENT ÊTRE
 UN MINIMUM DE 12POUNCES

SEISMIC QUALIFICATIONS, AS FLOOR MOUNT ONLY
 QUALIFICATIONS SEULES, COMME MONTAGE AU SOL SEULEMENT
 IBC 2018/ASCE 7-16
 SDS<=2.0g Z/n=0 Ip=1.5

VOLTS	CURRENT COURANT	% RATED VOLTAGE % NOMINALE	CONNECTION CONFIGURATION PAR PHASE
4368	99.1	105	1-2
4264	101.6	102.5	2-3
4160	104.1	100	3-4
4056	106.8	97.5	4-5
3952	109.6	95	5-6



Cust. Ref. Ref. du Client	Serial No. No. de Serie	
Phase	HV/HT	4160V 104.1A
Type	BIL	30 kV
Cooling Refroidissement	Term Bornes	H1 H2 H3
kVA	LV/BT	600Y/346V 722A
Temp. Rise Echauffement	BIL	10 kV
Temp Class Classe Temp	Term Bornes	X0 X1 X2 X3
Winding Enroulement	Energy Regulations	DOE 10 CFR PART 431:2016
Frequency Frequence Hz	Reglements Energetique	CEE ACT SOR/2018-201
Impedance % @ 170°C		
End. Type/Category Type ou categorie de boitier		
Weight Poids		



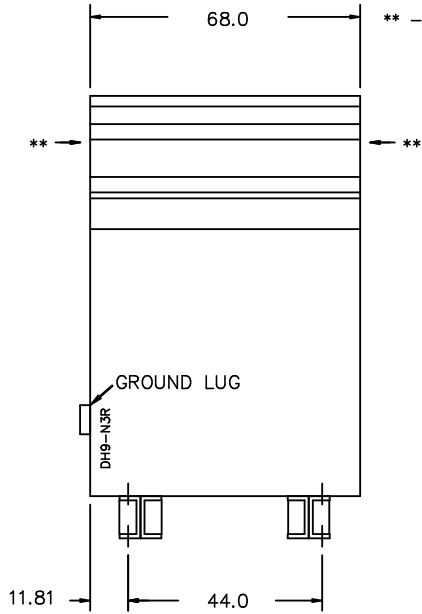
TITLE: 3PH DISTRIBUTION TRANSFORMER.
 NAMEPLATE INFORMATION

NO.	DATE	BY	REVISION
4	21/07/16	PP	EDB UPDATE
3	20/03/17	PP	SEISMIC UPDATE
			DES: ASETH DATE: 15/11/23 SCALE: NTS

SHEET 1 OF 3

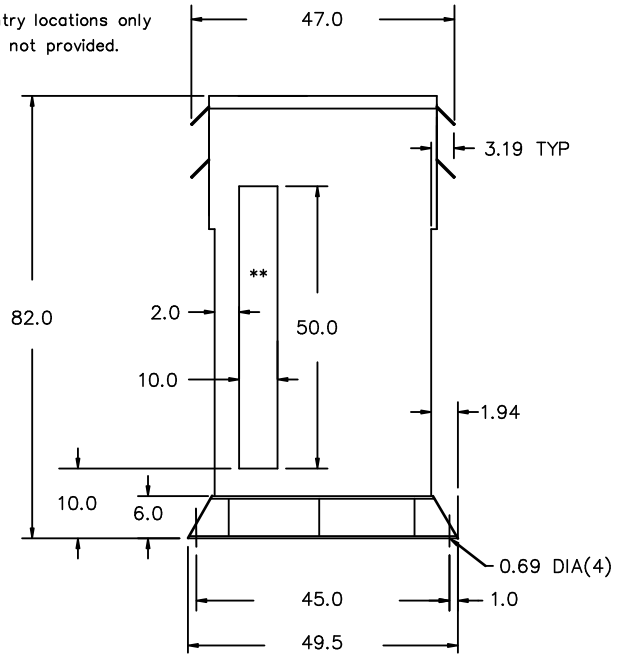
EDB MG3A0750SPSAHCO

FRONT VIEW



** - Recommended cable entry locations only
cutouts & gland plates not provided.

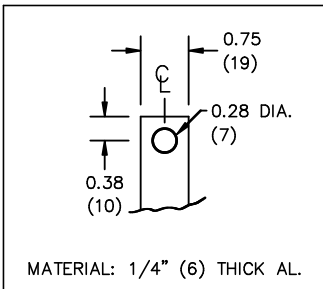
SIDE VIEW



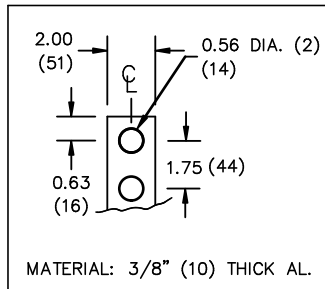
All Dimensions in inches

ENCLOSURE COLOR : ANSI 61 GREY - OUTDOOR

HV TERMINAL DETAIL



LV TERMINAL DETAIL



CUSTOMER NOTES:

- HV TERMINATED AT TOP FRONT
- LV TERMINATED AT BOTTOM FRONT



TITLE: 3PH DISTRIBUTION TRANSFORMER.

4	21/07/16	PP	EDB UPDATE	DES: ASETH
3	20/03/17	PP	SEISMIC UPDATE	DATE: 15/11/23
NO.	DATE	BY	REVISION	SCALE: NTS

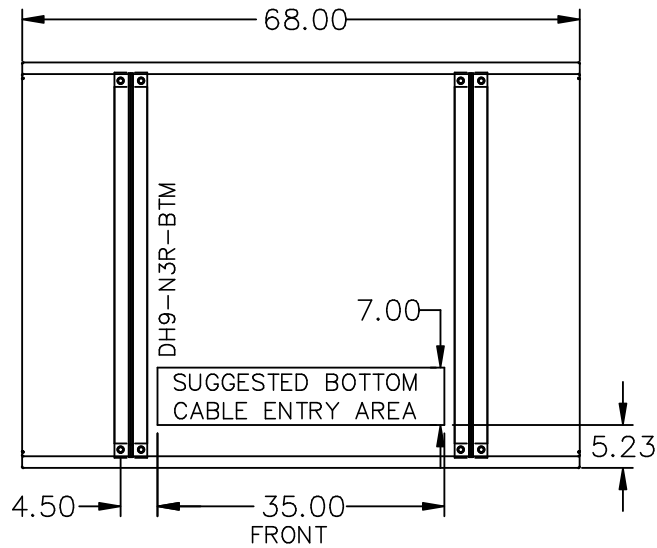
SHEET 2 OF 3

EDBMC3A0750SPSAHCO

4.0 httpd 2026/04/10 08:32

THIS DRAWING CONTAINS STRICTLY CONFIDENTIAL INFORMATION BELONGING TO HAMMOND POWER SOLUTIONS AND MUST NOT BE DISTRIBUTED OUTSIDE AUTHORIZED PARTIES.

ENCLOSURE BOTTOM VIEW



NOTE:
 WHEN BOTTOM CABLE ENTRY IS OPTED, THE SPACE USED FOR CONDUITS IN THE FRONT OF THE TRANSFORMER SHOULD NOT OBSTRUCT MORE THAN 50% OF THE FRONT AIR INTAKE AREA DEFINED BETWEEN THE BOTTOM PLATE AND THE SUPPORTING LEGS.
 SEE MANUAL FOR ADDITIONAL INFORMATION



TITLE: 3PH DISTRIBUTION TRANSFORMER.
ENCLOSURE BOTTOM VIEW

4	21/07/16	PP	EDB UPDATE	DES: ASETH
3	20/03/17	PP	SEISMIC UPDATE	DATE: 15/11/23
NO.	DATE	BY	REVISION	SCALE: NTS

SHEET 3 OF 3

EDBMC3A0750SPSAHCO