



TITLE: 3PH DISTRIBUTION TRANSFORMER
NAMEPLATE INFORMATION


4	21/07/16	PP	EDB UPDATE	DES: RBHATIA
3	20/03/17	PP	SEISMIC UPDATE	DATE: 16/01/11
NO.	DATE	BY	REVISION	SCALE: NTS

SHEET 1 OF 3

EDBMG3A0500SBSAHCO

4.1 http 2026/06/25 06:02

THIS DRAWING CONTAINS STRICTLY CONFIDENTIAL INFORMATION BELONGING TO HAMMOND POWER SOLUTIONS AND MUST NOT BE DISTRIBUTED OUTSIDE AUTHORIZED PARTIES.



hammond
POWER SOLUTIONS

Distribution Transformer
Transformateur de Distribution

LR 3902
DISTRIBUTION TRANSFORMER
E147879
LISTED

Hyderabad, IN Guelph, ONT Baraboo, WI Spacings between any ventilated enclosure panel and any adjacent wall shall be a minimum of 12 inches

Compton, CA Monterrey, MX Part No. MG3A0500SBSAHCO

Cust. Ref. [] Serial No. [] CONNECTION FOR CONNECTION PER PHASE

Ref. du Client [] No. de Serie [] HV/HT 4160V 1-2

Phase 3 HV/HT 4160V 2-3

Type K BIL 30 kV 3-4

Cooling ANN Term Bornes H1 H2 H3 4-5

Refrigidissement ANN Term Bornes H1 H2 H3 5-6

kVA 500 LV/BT 208Y/120V 1388

Temp. Rise 150 °C BIL 10 kV

Echauffement 150 °C BIL 10 kV

Temp Class 220 °C Term Bornes X0 X1 X2 X3

Classe Temp 220 °C Term Bornes X0 X1 X2 X3

Winding AL Energy Regulations DOE 10 CFR PART 431:2016

Enroulement AL Energy Regulations DOE 10 CFR PART 431:2016

Frequency 60 Reglements de CEE ACT SOR/2018-201

Frequence Hz 60 Energetique CEE ACT SOR/2018-201

Impedance % 6.2 @ 170 °C

End. Type/Category 3R C

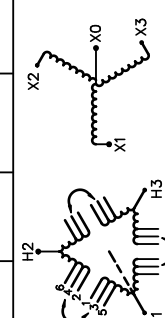
Type ou categorie 3R C

de boitier 3R C

Weight 3100

Poids 3100

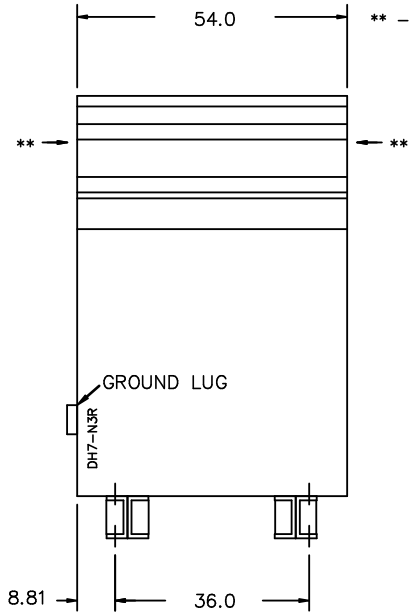
VOLTS	CURRENT COURANT	% RATED VOLTAGE NOMINALE	CONNECTION FOR CONNECTION PER PHASE
4368	66.1	105	1-2
4264	67.7	102.5	2-3
4160	69.4	100	3-4
4056	71.2	97.5	4-5
3952	73.0	95	5-6



SEISMIC QUALIFICATIONS:
AS FLOOR MOUNT ONLY
IBC 2018/ASCE 7-16
SDS<=2.0g Z/n=0 Ip=1.5

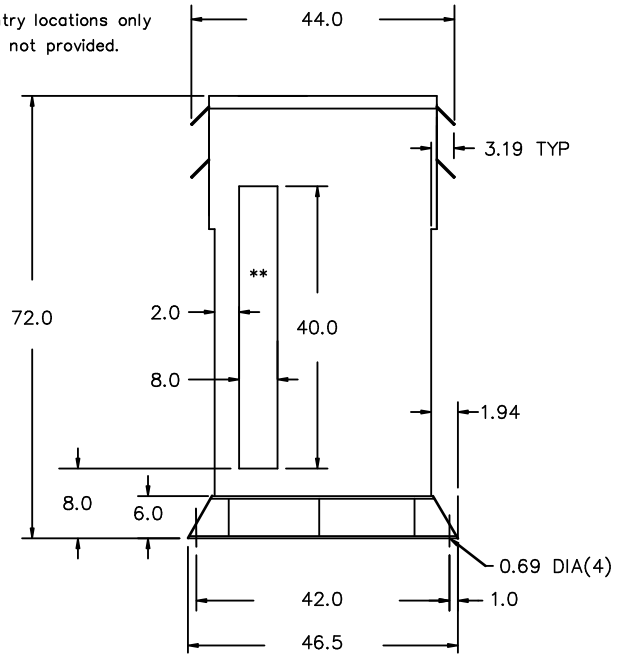
d000590hb

FRONT VIEW



** - Recommended cable entry locations only
cutouts & gland plates not provided.

SIDE VIEW



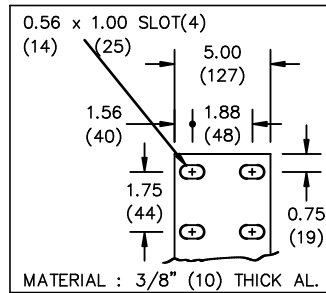
All Dimensions in inches

ENCLOSURE COLOR : ANSI 61 GREY - OUTDOOR

HV TERMINAL DETAIL

LV TERMINAL DETAIL

MECHANICAL TYPE LUGS INCLUDED
SUITABLE FOR #2/0-14 CU/AL
CONDUCTORS
1 CONDUCTOR PER PHASE



CUSTOMER NOTES:

- HV TERMINATED AT TOP FRONT
- LV TERMINATED AT BOTTOM FRONT



TITLE: 3PH DISTRIBUTION TRANSFORMER

4	21/07/16	PP	EDB UPDATE	DES: RBHATIA
3	20/03/17	PP	SEISMIC UPDATE	DATE: 16/01/11
NO.	DATE	BY	REVISION	SCALE: NTS

SHEET 2 OF 3

EDBMC3A0500SBSAHC0

4.1 httpd 2026/06/25 06:02

THIS DRAWING CONTAINS STRICTLY CONFIDENTIAL INFORMATION BELONGING TO HAMMOND POWER SOLUTIONS AND MUST NOT BE DISTRIBUTED OUTSIDE AUTHORIZED PARTIES.

ENCLOSURE BOTTOM VIEW



NOTE:
 WHEN BOTTOM CABLE ENTRY IS OPTED, THE SPACE USED FOR CONDUITS IN THE FRONT OF THE TRANSFORMER SHOULD NOT OBSTRUCT MORE THAN 50% OF THE FRONT AIR INTAKE AREA DEFINED BETWEEN THE BOTTOM PLATE AND THE SUPPORTING LEGS.
 SEE MANUAL FOR ADDITIONAL INFORMATION



TITLE: 3PH DISTRIBUTION TRANSFORMER
 ENCLOSURE BOTTOM VIEW

4	21/07/16	PP	EDB UPDATE	DES: RBHATIA
3	20/03/17	PP	SEISMIC UPDATE	DATE: 16/01/11
NO.	DATE	BY	REVISION	SCALE: NTS

SHEET 3 OF 3

EDBMC3A0500SBSAHCO