



TITLE: 3PH DISTRIBUTION TRANSFORMER
NAMEPLATE INFORMATION

3	21/07/16	PP	EDB UPDATE	DES: RBHATIA
2	20/03/17	PP	SEISMIC UPDATE	DATE: 16/10/07
NO.	DATE	BY	REVISION	SCALE: NTS

SHEET 1 OF 3

EDBMG3A0500RKS/AHCO

3.1 httpd 2026/06/10 21:55

THIS DRAWING CONTAINS STRICTLY CONFIDENTIAL INFORMATION BELONGING TO HAMMOND POWER SOLUTIONS AND MUST NOT BE DISTRIBUTED OUTSIDE AUTHORIZED PARTIES.

hammond
POWER SOLUTIONS

Distribution Transformer
Transformateur de Distribution

LR 3902
DISTRIBUTION TRANSFORMER
E147879
LISTED

Hyderabad, IN Guelph, ONT Baraboo, WI
Compton, CA Monterrey, MX Part No. MG3A0500RKS/AHCO

8 03423 13371 9

ALSO VERIFIED IN ACCORDANCE
TO ENERGY STANDARD C802.2-18
BY UNDERWRITERS LABORATORIES INC. © 316

SPACINGS BETWEEN ANY VENTILATED ENCLOSURE PANEL AND
ANY ADJACENT WALL SHALL BE A MINIMUM OF 12 INCHES

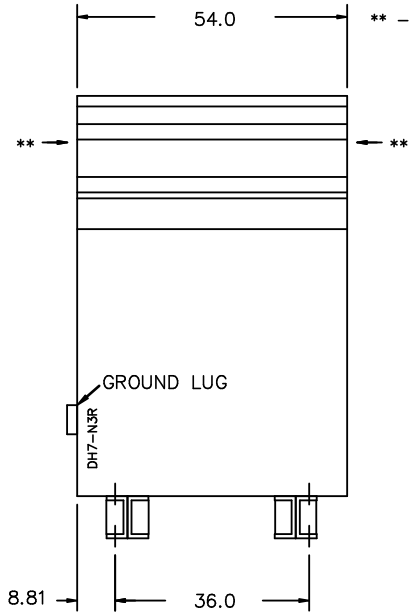
Cust. Ref. Ref. du Client	Serial No. No. de Serie	HV/HT	2400V	VOLTS	CONNECTION FOR CONNECTION PAR PHASE
Phase	3	BIL	20 kV	CURRENT COURANT	1-2 2-3 3-4 4-5 5-6
Type	K	Term Bornes	H1 H2 H3	% RATED VOLTAGE % NOMINALE	105 102.5 100 97.5 95
Cooling Refroidissement	ANN	LV/BT	480Y/277V		
kVA	500	BIL	10 kV		
Temp. Rise Echauffement	150 °C	Term Bornes	X0 X1 X2 X3		
Temp Class Classe Temp	220 °C	Winding Enroulement	AL		
Frequency Fréquence Hz	60	Energy Regulations de Energetique	DOE 10 CFR PART 431:2016		
Impedance % @ 170 °C	5.9		CEE ACT SOR/2018-201		
End. Type/Category Type ou catégorie de boîtier	3R C				
Weight Poids	2900				

H1 H2 H3 X0 X1 X2 X3

SEISMIC QUALIFICATIONS:
AS FLOOR MOUNT ONLY
IBC 2018/ASCE 7-16
SDS<=2.0g Z/n=0 Ip=1.5

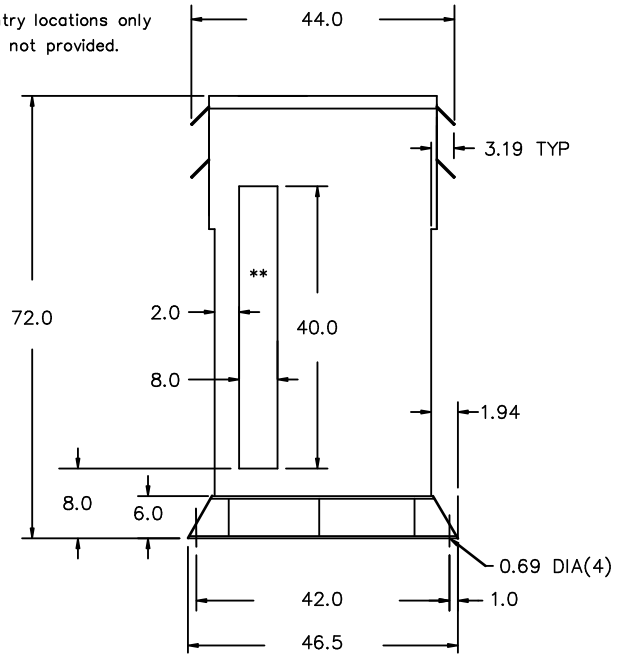
d000590hb

FRONT VIEW



** - Recommended cable entry locations only
cutouts & gland plates not provided.

SIDE VIEW



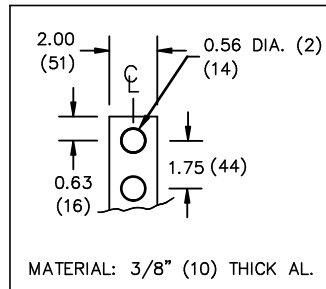
All Dimensions in inches

ENCLOSURE COLOR : ANSI 61 GREY - OUTDOOR

H.V.1. TERMINAL DETAIL

L.V.1. TERMINAL DETAIL

MECHANICAL TYPE LUGS INCLUDED
SUITABLE FOR 250MCM-6 CU/AL
CONDUCTORS
1 CONDUCTOR PER PHASE



CUSTOMER NOTES:

- HV1 TERMINATED AT TOP FRONT
- LV1 TERMINATED AT BOTTOM FRONT

THIS DRAWING CONTAINS STRICTLY CONFIDENTIAL INFORMATION BELONGING TO HAMMOND POWER SOLUTIONS AND MUST NOT BE DISTRIBUTED OUTSIDE AUTHORIZED PARTIES.



TITLE: 3PH DISTRIBUTION TRANSFORMER

3	21/07/16	PP	EDB UPDATE	DES: RBHATIA
2	20/03/17	PP	SEISMIC UPDATE	DATE: 16/10/07
NO.	DATE	BY	REVISION	SCALE: NTS

SHEET 2 OF 3

EDBMC3A0500RKS/H/CO

3.1 htpd 2026/06/10 21:55

ENCLOSURE BOTTOM VIEW



NOTE:
 WHEN BOTTOM CABLE ENTRY IS OPTED, THE SPACE USED FOR CONDUITS IN THE FRONT OF THE TRANSFORMER SHOULD NOT OBSTRUCT MORE THAN 50% OF THE FRONT AIR INTAKE AREA DEFINED BETWEEN THE BOTTOM PLATE AND THE SUPPORTING LEGS.
 SEE MANUAL FOR ADDITIONAL INFORMATION



TITLE: 3PH DISTRIBUTION TRANSFORMER
 ENCLOSURE BOTTOM VIEW

3	21/07/16	PP	EDB UPDATE	DES: RBHATIA
2	20/03/17	PP	SEISMIC UPDATE	DATE: 16/10/07
NO.	DATE	BY	REVISION	SCALE: NTS

SHEET 3 OF 3

EDBMC3A0500RKSAMCO