


- IMPEDANCE SHOWN IS CALCULATED VALUE

d000590hb




POWER SOLUTIONS

Hyderabad, IN Guelph, ONT Baraboo, WI
Compton, CA Monterrey, MX

Distribution Transformer
Transformateur de Distribution

Part No. **MG3A0300SKSAHCO**



LR 3902

DISTRIBUTION TRANSFORMER E147879

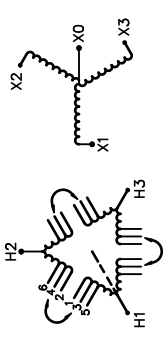
ALSO VERIFIED IN ACCORDANCE TO ENERGY STANDARD CRO22-18 BY UNDERWRIERS LABORATORIES INC. 3106

LISTED

VOLTS	CURRENT COURANT	% RATED VOLTAGE NOMINALE	CONNECTION FOR CONNECTION PAR PHASE
4368	39.7	105	1-2
4264	40.6	102.5	2-3
4160	41.6	100	3-4
4056	42.7	97.5	4-5
3952	43.8	95	5-6

SPACINGS BETWEEN ANY VENTILATED ENCLOSURE PANEL AND ANY ADJACENT WALL SHALL BE A MINIMUM OF 5 INCHES

SEISMIC QUALIFICATIONS:
AS FLOOR MOUNT ONLY
IBC 2018/ASCE 7-16
SDS<=2.0g Z/n=0 Ip=1.5





TITLE:		3PH DISTRIBUTION TRANSFORMER	
		NAMEPLATE INFORMATION	
5	24/07/17	DC	ADDED CTR OF GRAVITY
4	21/07/16	PP	EDB UPDATE
NO.	DATE	BY	REVISION
			DES: ASETH
			DATE: 15/11/23
			SCALE: NTS

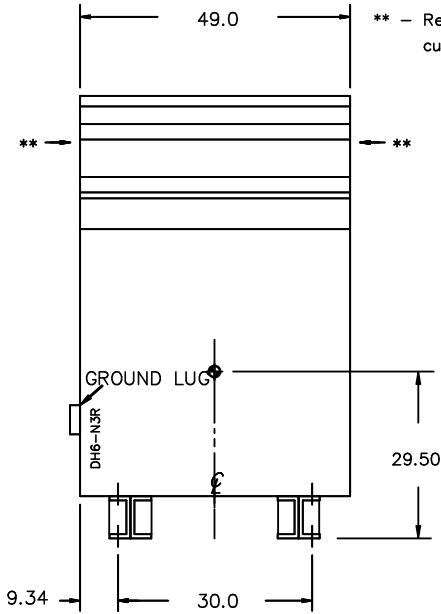
SHEET 1 OF 3

EDB MG3A0300SKSAHCO

5.1 http 2026/04/08 05:29

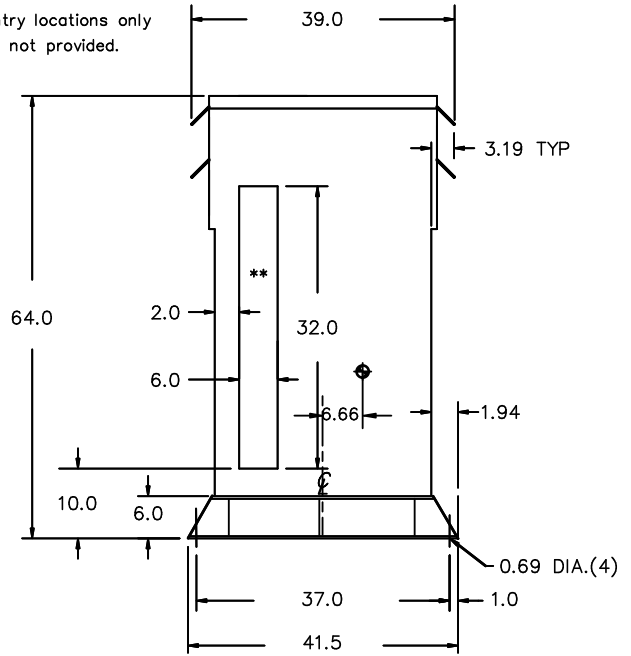
THIS DRAWING CONTAINS STRICTLY CONFIDENTIAL INFORMATION BELONGING TO HAMMOND POWER SOLUTIONS AND MUST NOT BE DISTRIBUTED OUTSIDE AUTHORIZED PARTIES.

FRONT VIEW



** - Recommended cable entry locations only
cutouts & gland plates not provided.

SIDE VIEW



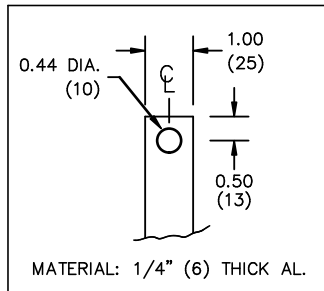
All Dimensions in inches

ENCLOSURE COLOR : ANSI 61 GREY - OUTDOOR

HV TERMINAL DETAIL

LV TERMINAL DETAIL

MECHANICAL TYPE LUGS INCLUDED
SUITABLE FOR #14-2 CU/AL
CONDUCTORS
1 CONDUCTOR PER PHASE



CUSTOMER NOTES:

- HV TERMINATED AT TOP FRONT
- LV TERMINATED AT BOTTOM FRONT



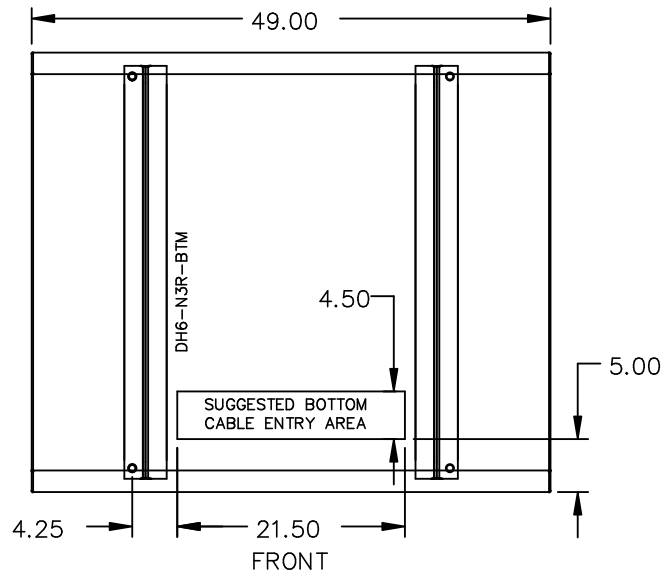
TITLE: 3PH DISTRIBUTION TRANSFORMER
MECHANICAL DETAILS

5	24/07/17	DC	ADDED CTR OF GRAVITY	DES: ASETH
4	21/07/16	PP	EDB UPDATE	DATE: 15/11/23
NO.	DATE	BY	REVISION	SCALE: NTS

SHEET 2 OF 3

EDBMC3A0300SKSAHCO

ENCLOSURE BOTTOM VIEW



NOTE:
 WHEN BOTTOM CABLE ENTRY IS OPTED, THE SPACE USED FOR CONDUITS IN THE FRONT OF THE TRANSFORMER SHOULD NOT OBSTRUCT MORE THAN 50% OF THE FRONT AIR INTAKE AREA DEFINED BETWEEN THE BOTTOM PLATE AND THE SUPPORTING LEGS.
 SEE MANUAL FOR ADDITIONAL INFORMATION



TITLE: 3PH DISTRIBUTION TRANSFORMER
 ENCLOSURE BOTTOM VIEW

5	24/07/17	DC	ADDED CTR OF GRAVITY	DES: ASETH
4	21/07/16	PP	EDB UPDATE	DATE: 15/11/23
NO.	DATE	BY	REVISION	SCALE: NTS

SHEET 3 OF 3

EDBMC3A0300SKSAHCO