



TITLE: 3PH DISTRIBUTION TRANSFORMER
NAMEPLATE INFORMATION


2	21/07/16	PP	EDB UPDATE	DES: RMOVVA
1	20/03/17	PP	SEISMIC UPDATE	DATE: 18/02/01
NO.	DATE	BY	REVISION	SCALE: NTS

SHEET 1 OF 3

EDBMG3A0225SPSCHCO


2.0 httpd 2026/06/04 12:35

THIS DRAWING CONTAINS STRICTLY CONFIDENTIAL INFORMATION BELONGING TO HAMMOND POWER SOLUTIONS AND MUST NOT BE DISTRIBUTED OUTSIDE AUTHORIZED PARTIES.



hammond
POWER SOLUTIONS

Distribution Transformer
Transformateur de Distribution



LR 3902
DISTRIBUTION TRANSFORMER
E147879

Hyderabad, IN Guelph, ONT Baraboo, WI Spacings between any ventilated enclosure panel and any adjacent wall shall be a minimum of 5 inches except when wall mounted using approved wall mount!

Compton, CA Monterrey, MX Part No. MG3A0225SPSCHCO

Cust. Ref. [] Serial No. []

Ref. du Client [] No. de Serie []

Phase 3 HV/HT 4160V 31.2A

Type K BIL 30 kV

Cooling ANN Term Bornes H1 H2 H3

kVA 225 LV/BT 600Y/346V 217A

Temp. Rise 150 °C BIL 10 kV

Echauffement 220 °C Term Bornes X0 X1 X2 X3

Classe Temp 220 °C

Winding CU Energy Regulations DOE 10 CFR PART 431:2016

Enroulement 60 Reglements CEE ACT SOR/94/651

Frequency 60 Energie Energetique

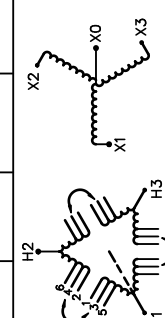
Impedance % 3.7

End. Type/Category 3R C ALSO REFER TO ENERGY STANDARD 2002-12 BY UNDERWRITERS LABORATORIES INC. © 3VJ6

Type ou categorie de boitier

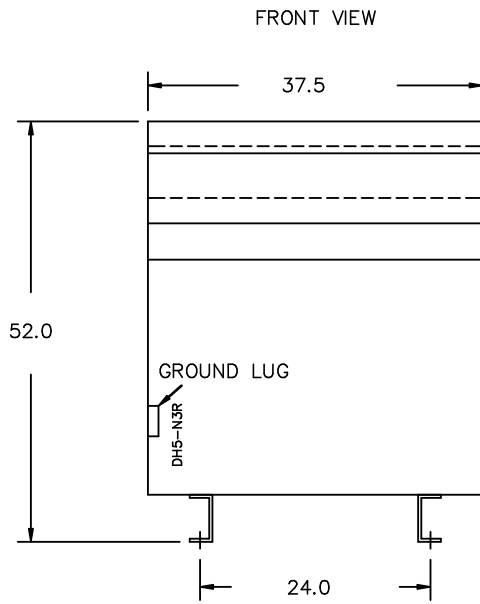
Weight 1600 Poids

VOLTS	CURRENT COURANT	% RATED VOLTAGE % NOMINALE	CONNECTION CONNECTION PAR PHASE
4368	29.7	105	1-2
4264	30.5	102.5	2-3
4160	31.2	100	3-4
4056	32.0	97.5	4-5
3952	32.9	95	5-6

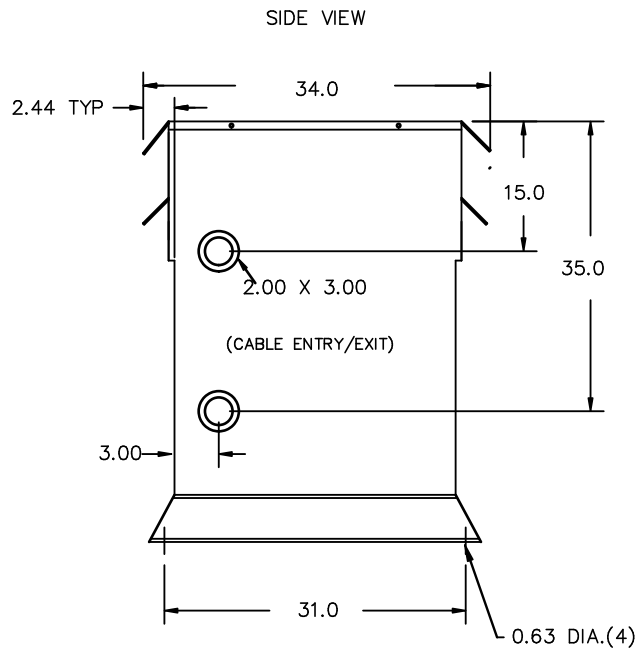


SEISMIC QUALIFICATIONS:
AS FLOOR MOUNT ONLY
IBC 2018/ASCE 7-16
SDS<=2.0g Z/n=0 Ip=1.5

d000590hb



All Dimensions in inches



ENCLOSURE COLOR :ANSI 61 GREY – OUTDOOR

HV TERMINAL DETAIL

LV TERMINAL DETAIL

MECHANICAL TYPE LUGS INCLUDED
SUITABLE FOR #14-2 CU/AL
CONDUCTORS
1 CONDUCTOR PER PHASE

MECHANICAL TYPE LUGS INCLUDED
SUITABLE FOR 600MCM-2 CU/AL
CONDUCTORS
1 CONDUCTOR PER PHASE

CUSTOMER NOTES:

- HV TERMINATED AT TOP FRONT
- LV TERMINATED AT BOTTOM FRONT



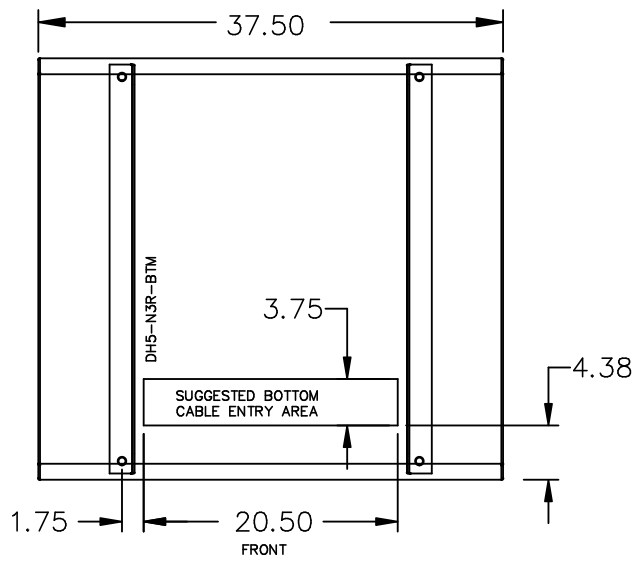
TITLE: 3PH DISTRIBUTION TRANSFORMER

2	21/07/16	PP	EDB UPDATE	DES: RMOVVA
1	20/03/17	PP	SEISMIC UPDATE	DATE: 18/02/01
NO.	DATE	BY	REVISION	SCALE: NTS

SHEET 2 OF 3

EDBM3A0225SPSCHCO

ENCLOSURE BOTTOM VIEW



NOTE:
 WHEN BOTTOM CABLE ENTRY IS OPTED, THE SPACE USED FOR CONDUITS IN THE FRONT OF THE TRANSFORMER SHOULD NOT OBSTRUCT MORE THAN 50% OF THE FRONT AIR INTAKE AREA DEFINED BETWEEN THE BOTTOM PLATE AND THE SUPPORTING LEGS.
 SEE MANUAL FOR ADDITIONAL INFORMATION



TITLE: 3PH DISTRIBUTION TRANSFORMER
 ENCLOSURE BOTTOM VIEW

2	21/07/16	PP	EDB UPDATE	DES: RMOVVA
1	20/03/17	PP	SEISMIC UPDATE	DATE: 18/02/01
NO.	DATE	BY	REVISION	SCALE: NTS

SHEET 3 OF 3

EDBMC3A0225SPSCHCO