


- IMPEDANCE SHOWN IS CALCULATED VALUE - NOT GUARANTEED

d000590hb



POWER SOLUTIONS

Distribution Transformer
Transformateur de Distribution

Part No. MG3A0225SPSAHCO

Baraboo, WI
Monterrey, MX

Serial No. []
HV/HT 4160V
BIL 30 kV
Term Bornes H1 H2 H3
LV/BT 600Y/346V 217A
BIL 10 kV
Term Bornes X0 X1 X2 X3
DOE 10 CFR PART 431:2016

3 31.2A

K

ANN

225

150 °C

220 °C

AL

60

3.5

3R C

1500

UL LISTED

LR 3902

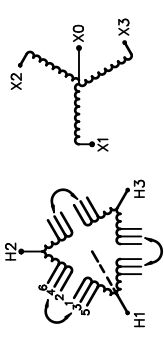
DISTRIBUTION TRANSFORMER E147879

ALSO VERIFIED IN ACCORDANCE TO ENERGY STANDARD CRO22-18 BY UNDERWRITERS LABORATORIES INC. 3106

8 03423 13281 1

VOLTS	CURRENT COURANT	% RATED VOLTAGE NOMINALE	CONNECTION FOR CONNECTION PAR PHASE
4368	29.7	105	1-2
4264	30.5	102.5	2-3
4160	31.2	100	3-4
4056	32.0	97.5	4-5
3952	32.9	95	5-6

SPACINGS BETWEEN ANY VENTILATED ENCLOSURE PANEL AND ANY ADJACENT WALL SHALL BE A MINIMUM OF 5 INCHES EXCEPT WHEN WALL MOUNTED USING APPROVED WALL MOUNT!



SEISMIC QUALIFICATIONS:
AS FLOOR MOUNT ONLY
IBC 2018/ASCE 7-16
SDS<=2.0g Z/n=0 Ip=1.5



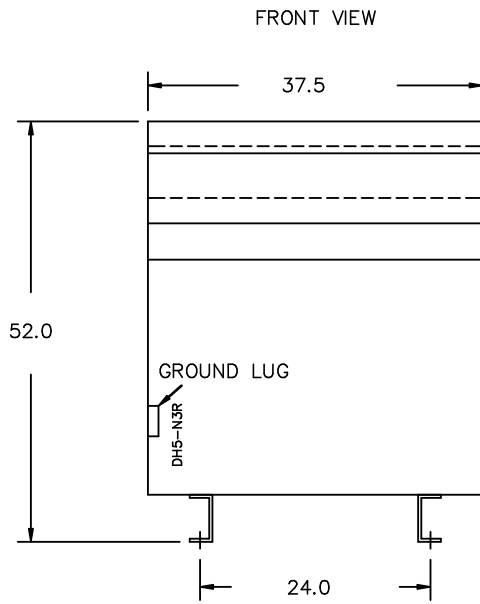
TITLE: 3PH DISTRIBUTION TRANSFORMER. NAMEPLATE INFORMATION			
3	21/07/16	PP	EDB UPDATE
2	20/12/18	DC	UPDATED TOTAL WEIGHT
NO.	DATE	BY	REVISION
			DES: ASETH
			DATE: 15/11/23
			SCALE: NTS

SHEET 1 OF 3

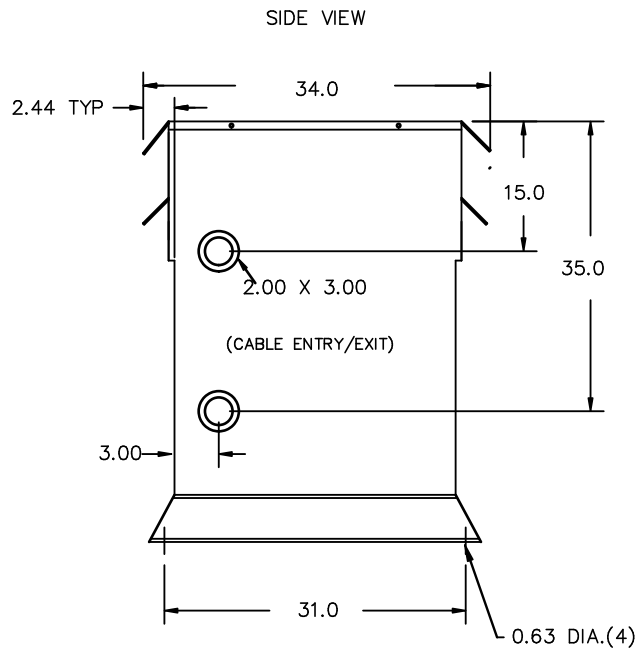
EDBMG3A0225SPSAHCO

3.0 httpd 2026/06/25 00:22

THIS DRAWING CONTAINS STRICTLY CONFIDENTIAL INFORMATION BELONGING TO HAMMOND POWER SOLUTIONS AND MUST NOT BE DISTRIBUTED OUTSIDE AUTHORIZED PARTIES.



All Dimensions in inches



ENCLOSURE COLOR :ANSI 61 GREY – OUTDOOR

HV TERMINAL DETAIL

LV TERMINAL DETAIL

MECHANICAL TYPE LUGS INCLUDED
SUITABLE FOR #14-2 CU/AL
CONDUCTORS
1 CONDUCTOR PER PHASE

MECHANICAL TYPE LUGS INCLUDED
SUITABLE FOR 600MCM-2 CU/AL
CONDUCTORS
1 CONDUCTOR PER PHASE

CUSTOMER NOTES:

- HV TERMINATED AT TOP FRONT
- LV TERMINATED AT BOTTOM FRONT



TITLE: 3PH DISTRIBUTION TRANSFORMER.

3	21/07/16	PP	EDB UPDATE	DES: ASETH
2	20/12/18	DC	UPDATED TOTAL WEIGHT	DATE: 15/11/23
NO.	DATE	BY	REVISION	SCALE: NTS

SHEET 2 OF 3

EDBMC3A0225SPSAHCO

ENCLOSURE BOTTOM VIEW



NOTE:
 WHEN BOTTOM CABLE ENTRY IS OPTED, THE SPACE USED FOR CONDUITS IN THE FRONT OF THE TRANSFORMER SHOULD NOT OBSTRUCT MORE THAN 50% OF THE FRONT AIR INTAKE AREA DEFINED BETWEEN THE BOTTOM PLATE AND THE SUPPORTING LEGS.
 SEE MANUAL FOR ADDITIONAL INFORMATION



TITLE: 3PH DISTRIBUTION TRANSFORMER.
ENCLOSURE BOTTOM VIEW

3	21/07/16	PP	EDB UPDATE	DES: ASETH
2	20/12/18	DC	UPDATED TOTAL WEIGHT	DATE: 15/11/23
NO.	DATE	BY	REVISION	SCALE: NTS

SHEET 3 OF 3

EDBMC3A0225SPSAHCO