



TITLE: 3PH DISTRIBUTION TRANSFORMER  
NAMEPLATE INFORMATION

NO.	DATE	BY	REVISION


DES:	DCORTEZ
DATE:	22/01/19
SCALE:	NTS

SHEET 1 OF 3

EDBMC3A0225SBSCHCO

0.1 httpd 2026/06/03 20:30


THIS DRAWING CONTAINS STRICTLY CONFIDENTIAL INFORMATION BELONGING TO HAMMOND POWER SOLUTIONS AND MUST NOT BE DISTRIBUTED OUTSIDE AUTHORIZED PARTIES.



**hammond**  
POWER SOLUTIONS

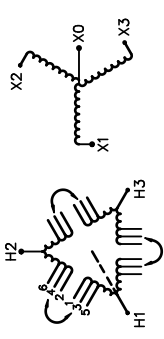
Distribution Transformer  
Transformateur de Distribution

LR 3902  
DISTRIBUTION TRANSFORMER  
E147879



LISTED

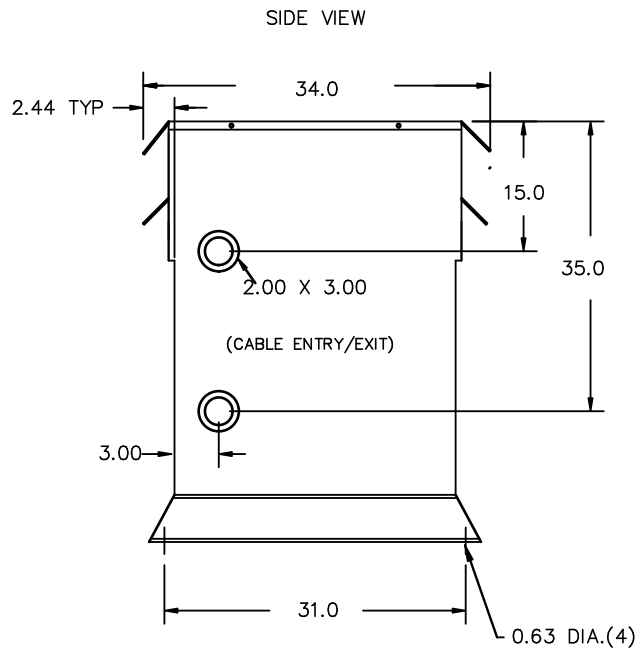
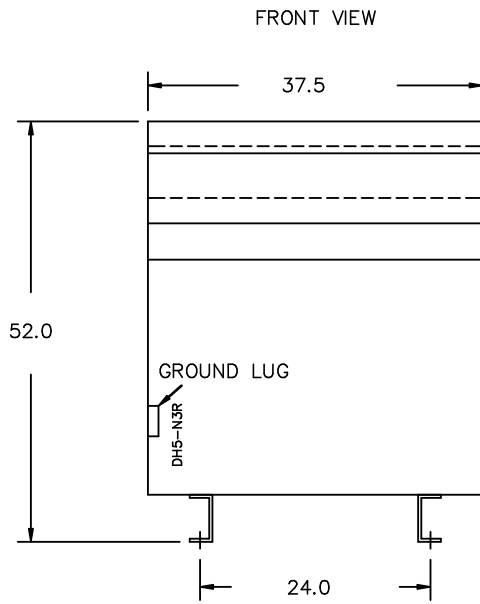
Hyderabad, IN    Guelph, ONT    Baraboo, WI    8 03423 1344 19  
Compton, CA    Monterrey, MX    Part No. MG3A0225SBSCHCO

Cust. Ref. Ref. du Client	Serial No. No. de Serie	HV/HT	31.2A	VOLTS	% RATED VOLTAGE / % NOMINALE	CURRENT COURANT	CONNECTION FOR CONNECTION PAR PHASE
Phase	3	BIL	30 kV	4368	105	29.7	1-2
Type	K	Term Bornes	H1 H2 H3	4264	102.5	30.5	2-3
Cooling Refroidissement	ANN	LV/BT	208Y/120V 625A	4160	100	31.2	3-4
kVA	225	BIL	10 kV	4056	97.5	32.0	4-5
Temp. Rise Echauffement	150 °C	Term Bornes	X0 X1 X2 X3	3952	95	32.9	5-6
Temp Class Classe Temp	220 °C	Winding Enroulement	DOE 10 CFR PART 431:2016				
Frequency Fréquence Hz	60	Regulations Réglements de Energetique	CEE ACT SOR/2018-201				
Impedance % @ 170 °C	3.1						
End. Type/Category Type ou catégorie de boîtier	3R						
Weight lbs/kg Poids	1570/713						

SEISMIC QUALIFICATIONS:  
AS FLOOR MOUNT ONLY  
IBC 2018/ASCE 7-16  
SDS<=2.0g Z/n=0 Ip=1.5

SPACINGS BETWEEN ANY VENTILATED ENCLOSURE PANEL AND ANY ADJACENT WALL SHALL BE A MINIMUM OF 5 INCHES

d000590hb



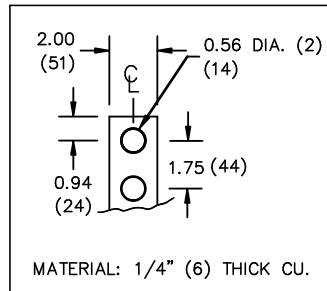
All Dimensions in inches

ENCLOSURE COLOR :ANSI 61 GREY – OUTDOOR

HV TERMINAL DETAIL

LV TERMINAL DETAIL

MECHANICAL TYPE LUGS INCLUDED  
SUITABLE FOR #14-2 CU/AL  
CONDUCTORS  
1 CONDUCTOR PER PHASE



CUSTOMER NOTES:

- HV TERMINATED AT TOP FRONT
- LV TERMINATED AT BOTTOM FRONT



TITLE: 3PH DISTRIBUTION TRANSFORMER

NO.	DATE	BY	REVISION	DES: DCORTEZ
				DATE: 22/01/19
				SCALE: NTS

SHEET 2 OF 3

EDBMG3A0225SBSCHCO

ENCLOSURE BOTTOM VIEW



NOTE:  
 WHEN BOTTOM CABLE ENTRY IS OPTED, THE SPACE USED FOR CONDUITS IN THE FRONT OF THE TRANSFORMER SHOULD NOT OBSTRUCT MORE THAN 50% OF THE FRONT AIR INTAKE AREA DEFINED BETWEEN THE BOTTOM PLATE AND THE SUPPORTING LEGS.  
 SEE MANUAL FOR ADDITIONAL INFORMATION



TITLE: 3PH DISTRIBUTION TRANSFORMER  
ENCLOSURE BOTTOM VIEW

				DES: DCORTEZ
				DATE: 22/01/19
NO.	DATE	BY	REVISION	SCALE: NTS

SHEET 3 OF 3

EDBMC3A0225SBSCHCO