



TITLE: 3PH DISTRIBUTION TRANSFORMER  
NAMEPLATE INFORMATION

2	21/07/16	PP	EDB UPDATE	DES: RMOVVA
1	20/03/17	PP	SEISMIC UPDATE	DATE: 19/12/19
NO.	DATE	BY	REVISION	SCALE: NTS

SHEET 1 OF 3

EDBMG3A0225RKSCHCO

2.0 httpd 2026/06/25 00:23

THIS DRAWING CONTAINS STRICTLY CONFIDENTIAL INFORMATION BELONGING TO HAMMOND POWER SOLUTIONS AND MUST NOT BE DISTRIBUTED OUTSIDE AUTHORIZED PARTIES.

**hammond**  
POWER SOLUTIONS

Distribution Transformer  
Transformateur de Distribution

LR 3902  
DISTRIBUTION TRANSFORMER  
E147879

ALSO VERIFIED IN ACCORDANCE  
TO ENERGY STANDARD C802.2-18  
BY UNDERWRITERS LABORATORIES INC. © 316

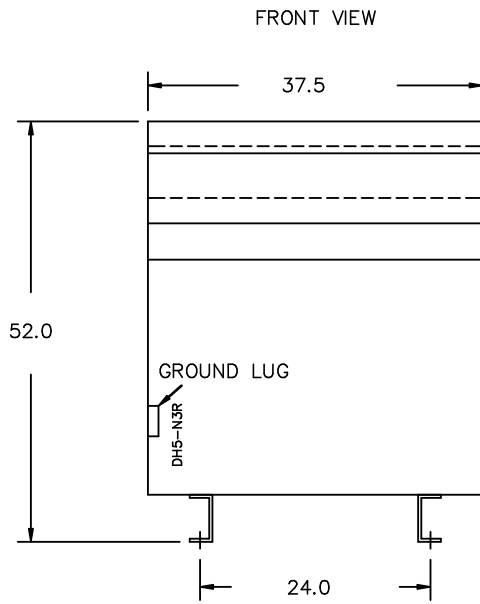
Hyderabad, IN    Guelph, ONT    Baraboo, WI    CONNEXION  
Compton, CA    Monterrey, MX    Part No. MG3A0225RKSCHCO

Cust. Ref. Ref. du Client	Serial No. No. de Serie	HV/HT	2400V	54.1A	VOLTS
Phase	3	BIL	20 kV		2520
Type	K	Term Bornes	H1 H2 H3		2460
Cooling Refrondissement	ANN	LV/BT	480Y/277V 271A		2400
kVA	225	BIL	10 kV		2340
Temp. Rise Echauffement	150 °C	Term Bornes	X0 X1 X2 X3		2280
Temp Class Classe Temp	220 °C	Energy Regulations Règlements Energetique	DOE 10 CFR PART 431:2016		
Winding Enroulement	CU	Frequency Fréquence Hz	60		
Impedance % @ 170 °C	4.1	Impedance % de			
End. Type/Category Type ou catégorie de boîtier	3R C	Weight Poids	1550		

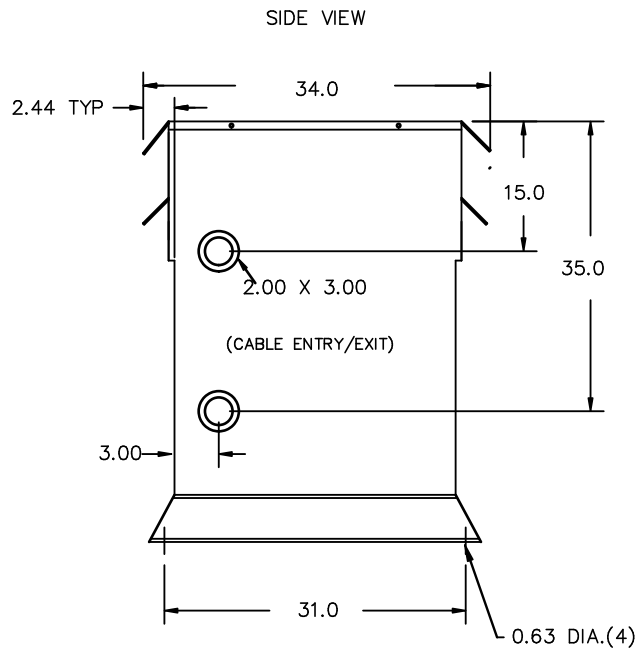
VOLTS	CURRENT COURANT	% RATED VOLTAGE % NOMINALE	CONNECTION TYPE CONNEXION PAR PHASE
2520	51.5	105	1-2
2460	52.8	102.5	2-3
2400	54.1	100	3-4
2340	55.5	97.5	4-5
2280	57.0	95	5-6

SPACINGS BETWEEN ANY VENTILATED ENCLOSURE PANEL AND ANY ADJACENT WALL SHALL BE A MINIMUM OF 5 INCHES EXCEPT WHEN WALL MOUNTED USING APPROVED WALL MOUNT!

d000590hb



All Dimensions in inches



ENCLOSURE COLOR :ANSI 61 GREY – OUTDOOR

HV TERMINAL DETAIL

LV TERMINAL DETAIL

MECHANICAL TYPE LUGS INCLUDED  
SUITABLE FOR #14-2 CU/AL  
CONDUCTORS  
1 CONDUCTOR PER PHASE

MECHANICAL TYPE LUGS INCLUDED  
SUITABLE FOR 600MCM-2 CU/AL  
CONDUCTORS  
1 CONDUCTOR PER PHASE

CUSTOMER NOTES:

- HV TERMINATED AT TOP FRONT
- LV TERMINATED AT BOTTOM FRONT



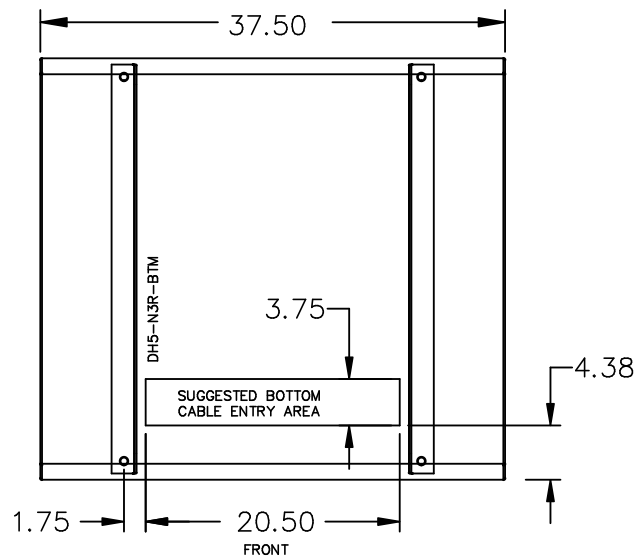
TITLE: 3PH DISTRIBUTION TRANSFORMER

2	21/07/16	PP	EDB UPDATE	DES: RMOVVA
1	20/03/17	PP	SEISMIC UPDATE	DATE: 19/12/19
NO.	DATE	BY	REVISION	SCALE: NTS

SHEET 2 OF 3

EDBMC3A0225RKSCHCO

ENCLOSURE BOTTOM VIEW



NOTE:  
 WHEN BOTTOM CABLE ENTRY IS OPTED, THE SPACE USED FOR CONDUITS IN THE FRONT OF THE TRANSFORMER SHOULD NOT OBSTRUCT MORE THAN 50% OF THE FRONT AIR INTAKE AREA DEFINED BETWEEN THE BOTTOM PLATE AND THE SUPPORTING LEGS.  
 SEE MANUAL FOR ADDITIONAL INFORMATION



TITLE: 3PH DISTRIBUTION TRANSFORMER  
 ENCLOSURE BOTTOM VIEW

2	21/07/16	PP	EDB UPDATE	DES: RMOVVA
1	20/03/17	PP	SEISMIC UPDATE	DATE: 19/12/19
NO.	DATE	BY	REVISION	SCALE: NTS

SHEET 3 OF 3

EDBMC3A0225RKSCHCO