



TITLE:		3PH DIST TRANSFORMER	
		NAMEPLATE INFORMATION	
4	21/11/25	CS	NPL IMPEDANCE AND WEIGHT UPDATE
3	21/07/16	PP	EDB UPDATE
NO.	DATE	BY	REVISION
			DES: RBHATIA
			DATE: 16/03/14
			SCALE: NTS

SHEET 1 OF 3

EDBMC3A0225RKS/AHCO

4.0 httpd 2026/06/25 00:21



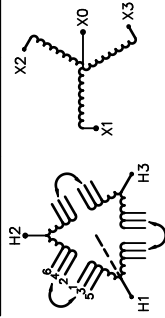
**POWER SOLUTIONS** Distribution Transformer  
**Transformateur de Distribution**



Hyderabad, IN Guelph, ONT Compton, CA Baraboo, WI Monterrey, MX Part No. MG3A0225RKS/AHCO

Cust. Ref.	Serial No.	
Ref. du Client	No. de Serie	
Phase	HV/HT	2400V
Type	BIL	20 kV
Cooling	Term	H1 H2 H3
Refroidissement	Bornes	
kVA	LV/BT	480Y/277V
Temp. Rise	BIL	10 kV
Echauffement	Term	X0 X1 X2 X3
Temp Class	Bornes	
Classe Temp	Energy	DOE 10 CFR PART 431:2016
Winding	Regulations	
Enroulement	Reglements	CEE ACT
Frequency	Energetique	SOR/2011-182
Frequency Hz		
Impedance %		
@ 170°C		
End. Type/Category		
Type ou categorie		
Weight		
Poids		1600

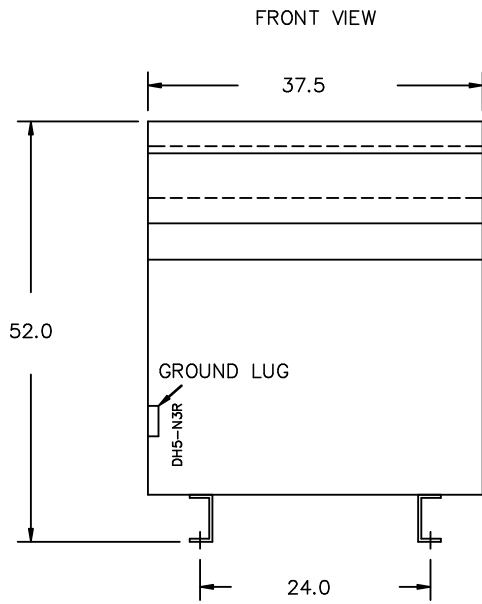
VOLTS	CURRENT COURANT	% RATED VOLTAGE % NOMINALE	CONNECTION CONNECTION PAR PHASE
2520	51.5	105	1-2
2460	52.8	102.5	2-3
2400	54.1	100	3-4
2340	55.5	97.5	4-5
2280	57.0	95	5-6



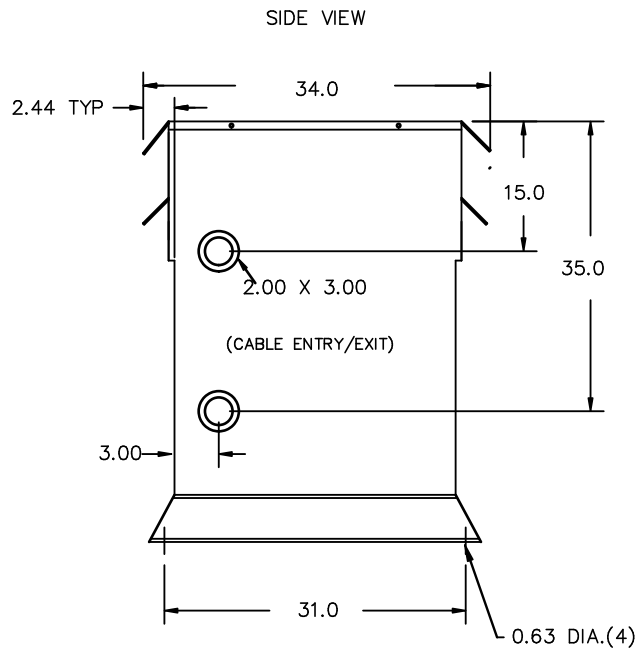
SPACINGS BETWEEN ANY VENTILATED ENCLOSURE PANEL AND ANY ADJACENT WALL SHALL BE A MINIMUM OF 5 INCHES EXCEPT WHEN WALL MOUNTED USING APPROVED WALL MOUNTING QUALIFICATIONS. FLOOR MOUNT ONLY QUALIFICATIONS SSIQUES, MONTAGE AU SOL SEULEMENT OSP-0136-10 IBC 2012/ASCE 7-10 SDS<=2.0G Z/H=1 IP=1.5

d000590hb

THIS DRAWING CONTAINS STRICTLY CONFIDENTIAL INFORMATION BELONGING TO HAMMOND POWER SOLUTIONS AND MUST NOT BE DISTRIBUTED OUTSIDE AUTHORIZED PARTIES.



All Dimensions in inches



ENCLOSURE COLOR :ANSI 61 GREY – OUTDOOR

H.V.1. TERMINAL DETAIL

L.V.1. TERMINAL DETAIL

MECHANICAL TYPE LUGS INCLUDED  
SUITABLE FOR #14-2 CU/AL  
CONDUCTORS  
1 CONDUCTOR PER PHASE

MECHANICAL TYPE LUGS INCLUDED  
SUITABLE FOR 350MCM-6 CU/AL  
CONDUCTORS  
2 CONDUCTORS PER PHASE

CUSTOMER NOTES:

- HV1 TERMINATED AT TOP FRONT
- LV1 TERMINATED AT BOTTOM FRONT

THIS DRAWING CONTAINS STRICTLY CONFIDENTIAL INFORMATION BELONGING TO HAMMOND POWER SOLUTIONS AND MUST NOT BE DISTRIBUTED OUTSIDE AUTHORIZED PARTIES.



TITLE: 3PH DIST TRANSFORMER

4	21/11/25	CS	NPL IMPEDANCE AND WEIGHT UPDATE	DES: RBHATIA
3	21/07/16	PP	EDB UPDATE	DATE: 16/03/14
NO.	DATE	BY	REVISION	SCALE: NTS

SHEET 2 OF 3

EDBMC3A0225RKS/SHCO

4.0 httpd 2026/06/25 00:21

ENCLOSURE BOTTOM VIEW



NOTE:  
 WHEN BOTTOM CABLE ENTRY IS OPTED, THE SPACE USED FOR CONDUITS IN THE FRONT OF THE TRANSFORMER SHOULD NOT OBSTRUCT MORE THAN 50% OF THE FRONT AIR INTAKE AREA DEFINED BETWEEN THE BOTTOM PLATE AND THE SUPPORTING LEGS.  
 SEE MANUAL FOR ADDITIONAL INFORMATION



TITLE:		3PH DIST TRANSFORMER ENCLOSURE BOTTOM VIEW		
4	21/11/25	CS	NPL IMPEDANCE AND WEIGHT UPDATE	DES: RBHATIA
3	21/07/16	PP	EDB UPDATE	DATE: 16/03/14
NO.	DATE	BY	REVISION	SCALE: NTS

SHEET 3 OF 3

EDBMC3A0225RKS/SHCO