



TITLE: 3PH DISTRIBUTION TRANSFORMER
NAMEPLATE INFORMATION


1	21/07/16	PP	EDB UPDATE	DES: DCORTEZ
NO.	DATE	BY	REVISION	SCALE: NTS

SHEET 1 OF 3

EDBMC3A0225RBSAHC0

1.0 httpd 2026/06/06 21:23

THIS DRAWING CONTAINS STRICTLY CONFIDENTIAL INFORMATION BELONGING TO HAMMOND POWER SOLUTIONS AND MUST NOT BE DISTRIBUTED OUTSIDE AUTHORIZED PARTIES.



hammond
POWER SOLUTIONS

Distribution Transformer
Transformateur de Distribution

LR 3902
DISTRIBUTION TRANSFORMER
E147879

Hyderabad, IN Guelph, ONT Baraboo, WI 03423 13356 6
Compton, CA Monterrey, MX Part No. MG3A0225RBSAHC0

Cust. Ref. [] Serial No. []
Ref. du Client [] No. de Serie []

Phase 3 HV/HT 2400V 54.1A

Type K BIL 20 kV

Cooling Refroidissement ANN Term Bornes H1 H2 H3

kVA 225 LV/BT 208Y/120V 625A

Temp. Rise Echauffement 150 °C BIL 10 kV

Temp Class Classe Temp 220 °C Term Bornes X0 X1 X2 X3

Winding Enroulement AL Energy Regulations DOE 10 CFR PART 431:2016

Frequency Fréquence Hz 60 Reglements de CEE ACT SOR/2018-201

Impedance % @ 170 °C 4.5

End. Type/Category Type ou catégorie de boîtier 3R C

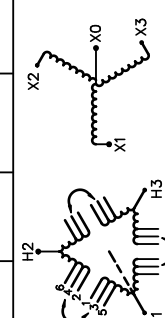
Weight Poids lbs 1450

UL LISTED

ALSO VERIFIED IN ACCORDANCE TO ENERGY STANDARD CRO22-18 BY UNDERWRIERS LABORATORIES INC. © 306

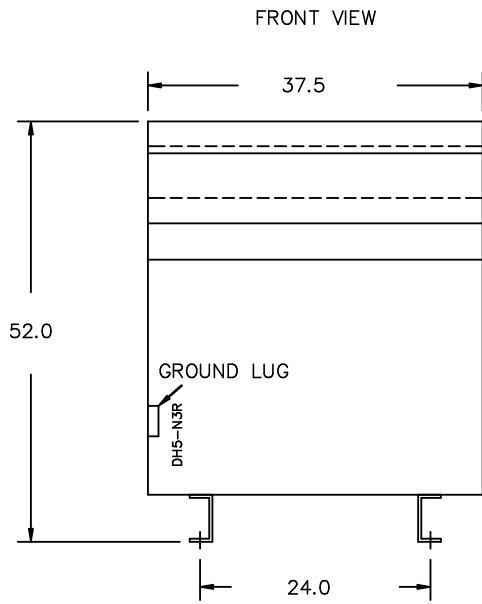
SPACINGS BETWEEN ANY VENTILATED ENCLOSURE PANEL AND ANY ADJACENT WALL SHALL BE A MINIMUM OF 5 INCHES EXCEPT WHEN WALL MOUNTED USING APPROVED WALL MOUNT!

VOLTS	CURRENT COURANT	% RATED VOLTAGE % NOMINALE	CONNECTION CONNECTION FOR CONNECTION PAR PHASE
2520	51.5	105	1-2
2460	52.8	102.5	2-3
2400	54.1	100	3-4
2340	55.5	97.5	4-5
2280	57.0	95	5-6



SERVIC QUALIFICATIONS, AS FLOOR MOUNT ONLY
QUALIFICATIONS, COME MONTAGE AU SOL SEULEMENT
IBC 2018/ASCE 7-16
SDS<=2.0g Z/n=0 Ip=1.5

d000590hb



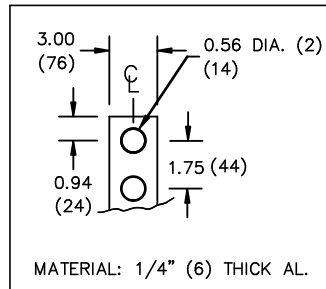
All Dimensions in inches

ENCLOSURE COLOR :ANSI 61 GREY – OUTDOOR

HV TERMINAL DETAIL

LV TERMINAL DETAIL

MECHANICAL TYPE LUGS INCLUDED
SUITABLE FOR #14-2 CU/AL
CONDUCTORS
1 CONDUCTOR PER PHASE



CUSTOMER NOTES:

- HV TERMINATED AT TOP FRONT
- LV TERMINATED AT BOTTOM FRONT



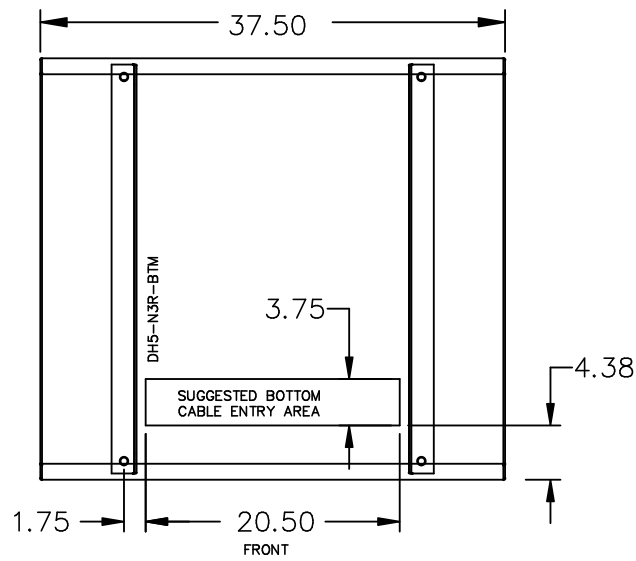
TITLE: 3PH DISTRIBUTION TRANSFORMER

1	21/07/16	PP	EDB UPDATE	DES: DCORTEZ
NO.	DATE	BY	REVISION	SCALE: NTS

SHEET 2 OF 3

EDBM3A0225RBSAHC0

ENCLOSURE BOTTOM VIEW



NOTE:
 WHEN BOTTOM CABLE ENTRY IS OPTED, THE SPACE USED FOR CONDUITS IN THE FRONT OF THE TRANSFORMER SHOULD NOT OBSTRUCT MORE THAN 50% OF THE FRONT AIR INTAKE AREA DEFINED BETWEEN THE BOTTOM PLATE AND THE SUPPORTING LEGS.
 SEE MANUAL FOR ADDITIONAL INFORMATION



TITLE: 3PH DISTRIBUTION TRANSFORMER
 ENCLOSURE BOTTOM VIEW

1	21/07/16	PP	EDB UPDATE	DES: DCORTEZ
NO.	DATE	BY	REVISION	SCALE: NTS

SHEET 3 OF 3

EDBMC3A022FRBSAHCO