



TITLE: 3PH DISTRIBUTION TRANSFORMER
NAMEPLATE INFORMATION

| | | | | |
|-----|----------|----|----------------|----------------|
| 4 | 21/07/16 | PP | EDB UPDATE | DES: ASETH |
| 3 | 20/03/17 | PP | SEISMIC UPDATE | DATE: 15/11/23 |
| NO. | DATE | BY | REVISION | SCALE: NTS |

SHEET 1 OF 3

EDBMG3A0150SPSAHCO

4.0 httpd 2026/04/02 23:43

THIS DRAWING CONTAINS STRICTLY CONFIDENTIAL INFORMATION BELONGING TO HAMMOND POWER SOLUTIONS AND MUST NOT BE DISTRIBUTED OUTSIDE AUTHORIZED PARTIES.

hammond POWER SOLUTIONS

Guelph, ONT Compton, CA
Baraboo, WI
Monterrey, MX

Hyderabad, IN

Distribution Transformer
Transformateur de Distribution

Part No. MG3A0150SPSAHCO

LR 3902

LISTED

8 03423 13277 4

DISTRIBUTION TRANSFORMER E147879

ALSO VERIFIED IN ACCORDANCE TO ENERGY STANDARD CRO22-18 BY UNDERWRITERS LABORATORIES INC. © 306

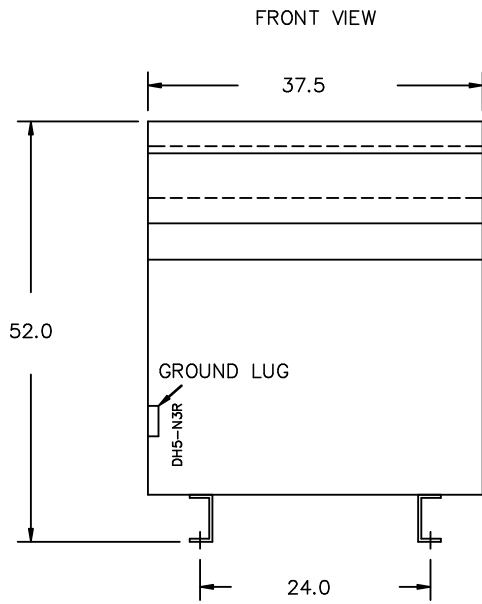
| | | | | | |
|------------------------------|----------------------------|--|-------------|--------------------------|--|
| Cust. Ref. Ref. du Client | Serial No. No. de Serie | HV/HT | 4160V | 20.8A | |
| Phase | 3 | BIL | 30 kV | | |
| Type | K | Term Bornes | H1 H2 H3 | | |
| Cooling Refroidissement | ANN | LV/BT | 600Y/346V | 144A | |
| kVA | 150 | BIL | 10 kV | | |
| Temp. Rise Echauffement | 150 °C | Term Bornes | X0 X1 X2 X3 | | |
| Temp Class Classe Temp | 220 °C | Winding Enroulement | AL | DOE 10 CFR PART 431:2016 | |
| Frequency Frequence Hz | 60 | Regulations de Energetique | 60 | CEE ACT SOR/2018-201 | |
| Impedance % @ 170 °C | 4.6 | End. Type/Category Type ou categorie de boitier | 3R C | | |
| Weight Poids | 1350 lbs | | | | |

| VOLTS | CURRENT COURANT | % RATED VOLTAGE % NOMINALE | CONNECTION CONNECTION PAR PHASE |
|-------|-----------------|----------------------------|---------------------------------|
| 4368 | 19.8 | 105 | 1-2 |
| 4264 | 20.3 | 102.5 | 2-3 |
| 4160 | 20.8 | 100 | 3-4 |
| 4056 | 21.4 | 97.5 | 4-5 |
| 3952 | 21.9 | 95 | 5-6 |

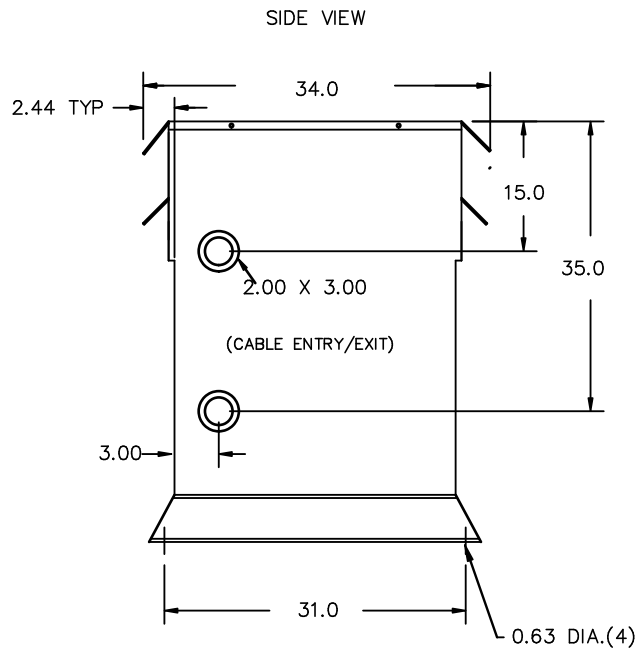
SPACINGS BETWEEN ANY VENTILATED ENCLOSURE PANEL AND ANY ADJACENT WALL SHALL BE A MINIMUM OF 5 INCHES EXCEPT WHEN WALL MOUNTED USING APPROVED WALL MOUNT

SEISMIC QUALIFICATIONS, AS FLOOR MOUNT ONLY
QUALIFICATIONS: COME MONTAGE AU SOL SEULEMENT
IBC 2018/ASCE 7-16
SDS<=2.0g Z/n=0 Ip=1.5

d000590hb



All Dimensions in inches



ENCLOSURE COLOR :ANSI 61 GREY – OUTDOOR

HV TERMINAL DETAIL

LV TERMINAL DETAIL

MECHANICAL TYPE LUGS INCLUDED
SUITABLE FOR #14-2 CU/AL
CONDUCTORS
1 CONDUCTOR PER PHASE

MECHANICAL TYPE LUGS INCLUDED
SUITABLE FOR 250MCM-6 CU/AL
CONDUCTORS
1 CONDUCTOR PER PHASE

CUSTOMER NOTES:

- HV TERMINATED AT TOP FRONT
- LV TERMINATED AT BOTTOM FRONT



TITLE: 3PH DISTRIBUTION TRANSFORMER

| | | | | |
|-----|----------|----|----------------|----------------|
| 4 | 21/07/16 | PP | EDB UPDATE | DES: ASETH |
| 3 | 20/03/17 | PP | SEISMIC UPDATE | DATE: 15/11/23 |
| NO. | DATE | BY | REVISION | SCALE: NTS |

SHEET 2 OF 3

EDBMC3A0150SPSAHCO

ENCLOSURE BOTTOM VIEW



NOTE:
 WHEN BOTTOM CABLE ENTRY IS OPTED, THE SPACE USED FOR CONDUITS IN THE FRONT OF THE TRANSFORMER SHOULD NOT OBSTRUCT MORE THAN 50% OF THE FRONT AIR INTAKE AREA DEFINED BETWEEN THE BOTTOM PLATE AND THE SUPPORTING LEGS.
 SEE MANUAL FOR ADDITIONAL INFORMATION



| | | | | |
|--------|----------|---|----------------|----------------|
| TITLE: | | 3PH DISTRIBUTION TRANSFORMER ENCLOSURE BOTTOM VIEW | | |
| 4 | 21/07/16 | PP | EDB UPDATE | DES: ASETH |
| 3 | 20/03/17 | PP | SEISMIC UPDATE | DATE: 15/11/23 |
| NO. | DATE | BY | REVISION | SCALE: NTS |

SHEET 3 OF 3
 EDBMG3A0150SPSAHCO