


- IMPEDANCE SHOWN IS CALCULATED VALUE - NOT GUARANTEED

d000590hb




POWER SOLUTIONS

Hyderabad, IN Guelph, ONT Baraboo, WI
Compton, CA Monterrey, MX

Distribution Transformer
Transformateur de Distribution

Part No. **MG3A0150KSAHCO**



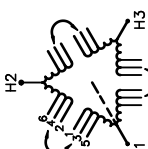
LR 3902

DISTRIBUTION TRANSFORMER E147879

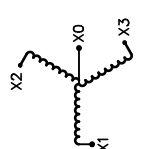
ALSO VERIFIED IN ACCORDANCE TO ENERGY STANDARD C802.2-18 BY UNDERWRIERS LABORATORIES INC. 316

LISTED

Cust. Ref. Ref. du Client	Serial No. No. de Serie	4160V	20.8A	CONNECTION TYPE CONNEXION PAR PHASE	SPACINGS BETWEEN ANY VENTILATED ENCLOSURE PANEL AND ANY ADJACENT WALL SHALL BE A MINIMUM OF 5 INCHES EXCEPT WHEN WALL MOUNTED USING APPROVED WALL MOUNT VENTILE ET LES MURS ADJACENT DOIVENT Etre UN MINIMUM DE 5 POUNCES
Phase	HV/HT	3	20.8A	1-2	
Type	BIL	K	30 kV	2-3	
Cooling Refroidissement	Term Bornes	ANN	H1 H2 H3	3-4	
kVA	LV/BT	150	480Y/277V 180A	4-5	
Temp. Rise Echauffement	BIL	150 °C	10 kV	5-6	
Temp Class	Term Bornes	220 °C	X0 X1 X2 X3		
Winding Enroulement	Energy Regulations Reglements Energetique	AL	DOE 10 CFR PART 431:2016		
Frequency		60	CEE ACT SOR/2018-201		
Impedance % @ 170 °C		4.8			
End. Type/Category Type ou categorie de boitier		3R			
Weight Poids		1250			



H1 H2 H3



X0 X1 X2 X3

SEISMIC QUALIFICATIONS:
AS FLOOR MOUNT ONLY
IBC 2018/ASCE 7-16
SDS<=2.0g Z/n=0 Ip=1.5



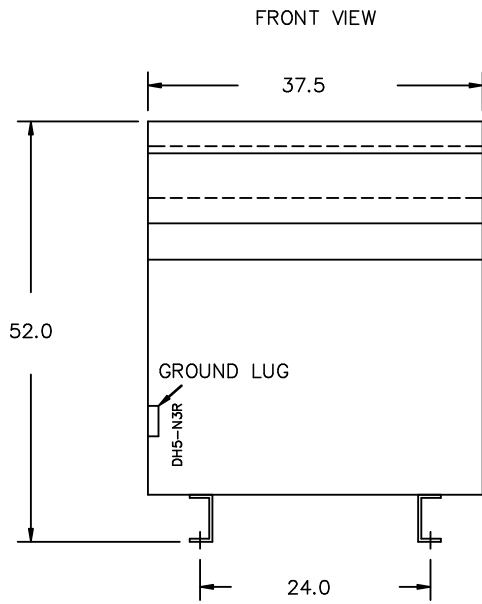
TITLE:		3PH DISTRIBUTION TRANSFORMER NAMEPLATE INFORMATION	
NO.	DATE	BY	REVISION
4	21/11/25	CS	NPL IMPEDANCE AND WEIGHT UPDATE
3	21/07/16	PP	EDB UPDATE
		DES: ASETH	
		DATE: 15/11/23	
		SCALE: NTS	

SHEET 1 OF 3

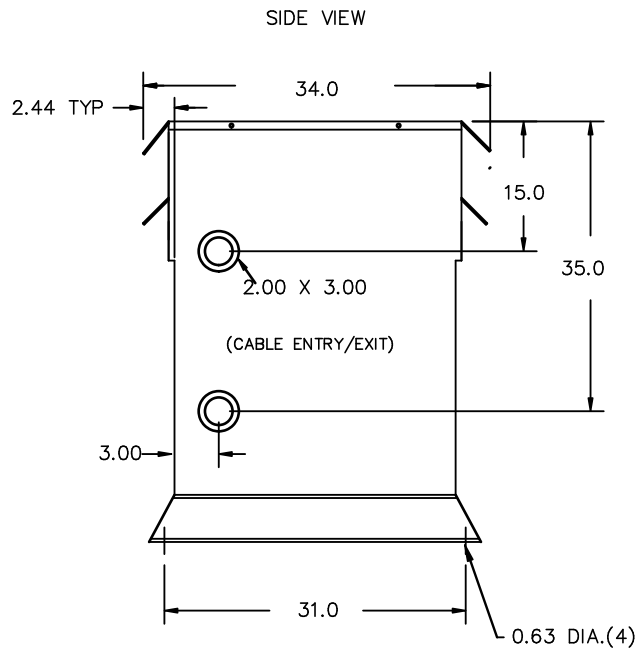
EDBMG3A0150KSAHCO

4.0 httpd 2026/04/01 21:20

THIS DRAWING CONTAINS STRICTLY CONFIDENTIAL INFORMATION BELONGING TO HAMMOND POWER SOLUTIONS AND MUST NOT BE DISTRIBUTED OUTSIDE AUTHORIZED PARTIES.



All Dimensions in inches



ENCLOSURE COLOR :ANSI 61 GREY – OUTDOOR

HV TERMINAL DETAIL

LV TERMINAL DETAIL

MECHANICAL TYPE LUGS INCLUDED
SUITABLE FOR #14-2 CU/AL
CONDUCTORS
1 CONDUCTOR PER PHASE

MECHANICAL TYPE LUGS INCLUDED
SUITABLE FOR 600MCM-2 CU/AL
CONDUCTORS
1 CONDUCTOR PER PHASE

CUSTOMER NOTES:

- HV TERMINATED AT TOP FRONT
- LV TERMINATED AT BOTTOM FRONT



TITLE: 3PH DISTRIBUTION TRANSFORMER

4	21/11/25	CS	NPL IMPEDANCE AND WEIGHT UPDATE	DES: ASETH
3	21/07/16	PP	EDB UPDATE	DATE: 15/11/23
NO.	DATE	BY	REVISION	SCALE: NTS

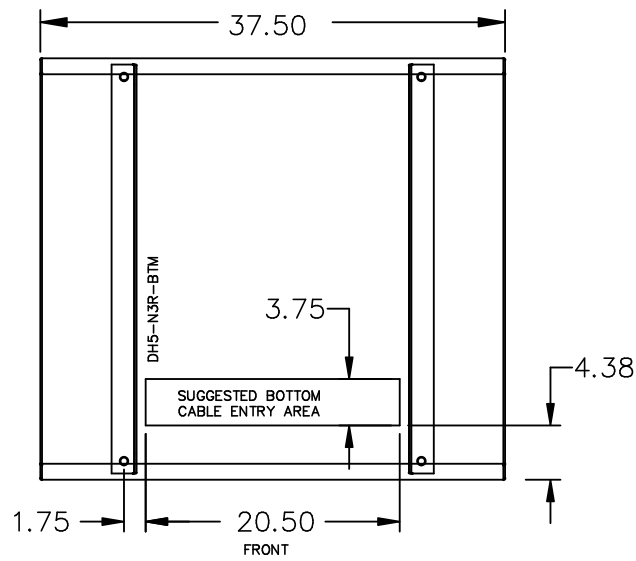
SHEET 2 OF 3

EDBMG3A0150SKSAHCO

4.0 httpd 2026/04/01 21:20

THIS DRAWING CONTAINS STRICTLY CONFIDENTIAL INFORMATION BELONGING TO HAMMOND POWER SOLUTIONS AND MUST NOT BE DISTRIBUTED OUTSIDE AUTHORIZED PARTIES.

ENCLOSURE BOTTOM VIEW



NOTE:
 WHEN BOTTOM CABLE ENTRY IS OPTED, THE SPACE USED FOR CONDUITS IN THE FRONT OF THE TRANSFORMER SHOULD NOT OBSTRUCT MORE THAN 50% OF THE FRONT AIR INTAKE AREA DEFINED BETWEEN THE BOTTOM PLATE AND THE SUPPORTING LEGS.
 SEE MANUAL FOR ADDITIONAL INFORMATION



TITLE: 3PH DISTRIBUTION TRANSFORMER
 ENCLOSURE BOTTOM VIEW

4	21/11/25	CS	NPL IMPEDANCE AND WEIGHT UPDATE	DES: ASETH
3	21/07/16	PP	EDB UPDATE	DATE: 15/11/23
NO.	DATE	BY	REVISION	SCALE: NTS

SHEET 3 OF 3

EDBMC3A0150SKSAHCO