



TITLE: 3PH DISTRIBUTION TRANSFORMER
NAMEPLATE INFORMATION

NO.	DATE	BY	REVISION

DES:	DCORTEZ
DATE:	25/12/05
SCALE:	NTS

SHEET 1 OF 3

EDBMG3A0112SPSCGCC

0.1 httpd 2026/06/25 00:19

THIS DRAWING CONTAINS STRICTLY CONFIDENTIAL INFORMATION BELONGING TO HAMMOND POWER SOLUTIONS AND MUST NOT BE DISTRIBUTED OUTSIDE AUTHORIZED PARTIES.

hammond
POWER SOLUTIONS

Distribution Transformer
Transformateur de Distribution

LR 3902
DISTRIBUTION TRANSFORMER
E147879

Hyderabad, IN Guelph, ONT Baraboo, WI
Compton, CA Monterrey, MX

Part No. MG3A0112SPSCGCC

8 03423 13570 6
ALSO VERIFIED IN ACCORDANCE
TO ENERGY STANDARD C802.2-18
BY UNDERWITERS LABORATORIES INC. 316

Cust. Ref. [] Serial No. []
Ref. du Client [] No. de Serie []

HV/HT 4160V 15.6A
BIL 30 kV
Term Bornes H1 H2 H3
LV/BT 600Y/346V 108.3A

SPACINGS BETWEEN ANY VENTILATED ENCLOSURE PANEL AND
ANY ADJACENT WALL SHALL BE A MINIMUM OF 5 INCHES

Phase 3 HV/HT 4160V 15.6A
Type K BIL 30 kV
Cooling Refroidissement ANN Term Bornes H1 H2 H3
kVA 112.5 LV/BT 600Y/346V 108.3A

Temp. Rise Echauffement 130 °C BIL 10 kV
Temp Class 200 °C Term Bornes X0 X1 X2 X3
Winding Enroulement CU Energy Regulations DOE 10 CFR PART 431:2016
Frequency 60 Reglements Energetique CEE ACT SOR/2018-201
Impedance % @ 150 °C 3.1

SEISMIC QUALIFICATIONS:
AS FLOOR MOUNT ONLY
IBC 2018/ASCE 7-16
SDS<=2.0g Z/n=1 Ip=1.5

End. Type/Category Type ou categorie 3R C
Weight lbs/kg Poids 966/439

CONNECTION DIAGRAM

CONNECTION DIAGRAM FOR CONNECTION PER PHASE

VOLTS	CURRENT COURANT	% RATED VOLTAGE % NOMINALE	CONNECTION FOR CONNECTION PER PHASE
4368	14.9	105	1-2
4264	15.2	102.5	2-3
4160	15.6	100	3-4
4056	16.0	97.5	4-5
3952	16.4	95	5-6

Hyderabad, IN Guelph, ONT Baraboo, WI
Compton, CA Monterrey, MX

Part No. MG3A0112SPSCGCC

8 03423 13570 6
ALSO VERIFIED IN ACCORDANCE
TO ENERGY STANDARD C802.2-18
BY UNDERWITERS LABORATORIES INC. 316

d000590hb



All Dimensions in inches



ENCLOSURE COLOR :ANSI 61 GREY – OUTDOOR

HV TERMINAL DETAIL

LV TERMINAL DETAIL

MECHANICAL TYPE LUGS INCLUDED
SUITABLE FOR #14-2 CU/AL
CONDUCTORS
1 CONDUCTOR PER PHASE

MECHANICAL TYPE LUGS INCLUDED
SUITABLE FOR 250MCM-6 CU/AL
CONDUCTORS
1 CONDUCTOR PER PHASE

CUSTOMER NOTES:

- HV TERMINATED AT TOP FRONT
- LV TERMINATED AT BOTTOM FRONT



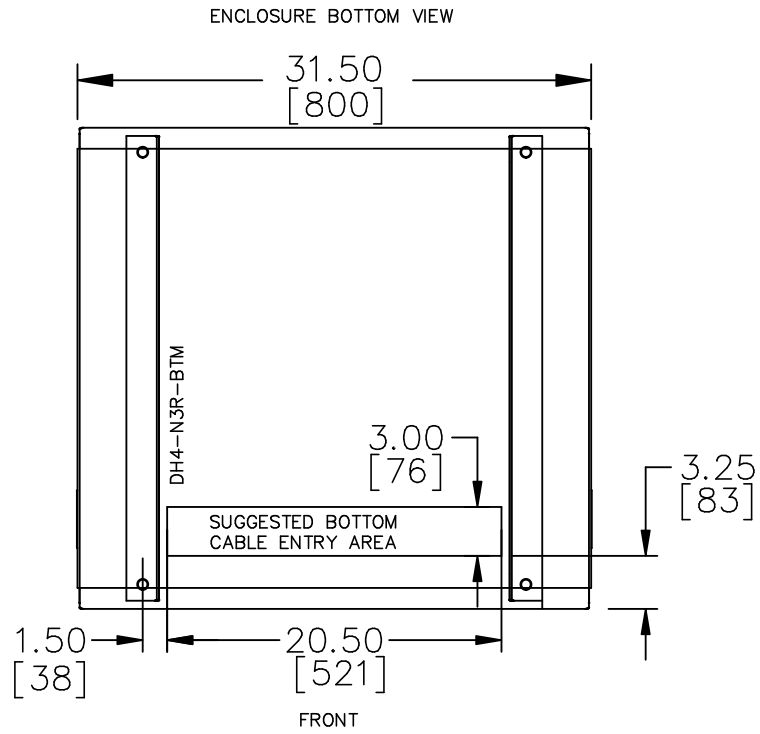
TITLE: 3PH DISTRIBUTION TRANSFORMER

NO.	DATE	BY	REVISION

DES: DCORTEZ
DATE: 25/12/05
SCALE: NTS

SHEET 2 OF 3

EDBMG3A0112PSCGCO



NOTE:
 WHEN BOTTOM CABLE ENTRY IS OPTED, THE SPACE USED FOR CONDUITS IN THE FRONT OF THE TRANSFORMER SHOULD NOT OBSTRUCT MORE THAN 50% OF THE FRONT AIR INTAKE AREA DEFINED BETWEEN THE BOTTOM PLATE AND THE SUPPORTING LEGS.
 SEE MANUAL FOR ADDITIONAL INFORMATION



TITLE: 3PH DISTRIBUTION TRANSFORMER
 ENCLOSURE BOTTOM VIEW

				DES: DCORTEZ
				DATE: 25/12/05
NO.	DATE	BY	REVISION	SCALE: NTS

SHEET 3 OF 3

EDBMG3A0112PSCGCCO