



TITLE: 3PH DISTRIBUTION TRANSFORMER  
NAMEPLATE INFORMATION


2	21/07/16	PP	EDB UPDATE	DES: DCORTEZ
1	20/03/17	PP	SEISMIC UPDATE	DATE: 18/06/18
NO.	DATE	BY	REVISION	SCALE: NTS

SHEET 1 OF 3

EDBMG3A0112RBSCHCO


2.0 httpd 2026/05/19 06:49

THIS DRAWING CONTAINS STRICTLY CONFIDENTIAL INFORMATION BELONGING TO HAMMOND POWER SOLUTIONS AND MUST NOT BE DISTRIBUTED OUTSIDE AUTHORIZED PARTIES.



**hammond**  
POWER SOLUTIONS

Distribution Transformer  
Transformateur de Distribution



LR 3902  
DISTRIBUTION TRANSFORMER  
E147879  
LISTED

Guelph, ONT Baraboo, WI  
Compton, CA Monterrey, MX

Hyderabad, IN Part No. MG3A0112RBSCHCO

Cust. Ref. [ ] Serial No. [ ]  
Ref. du Client [ ] No. de Serie [ ]

Phase 3 HV/HT 2400V

Type K BIL 20 kV

Cooling Refroidissement ANN Term Bornes H1 H2 H3

kVA 112.5 LV/BT 208Y/120V 312A

Temp. Rise Echauffement 150 °C BIL 10 kV

Temp Class Classe Temp 220 °C Term Bornes X0 X1 X2 X3

Winding Enroulement CU Energy Regulations DOE 10 CFR PART 431:2016

Frequency Fréquence Hz 60 Reglements de Energetique CEE ACT SOR/2018-201

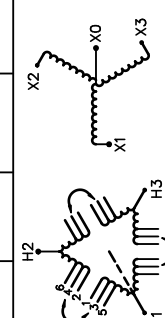
Impedance % @ 170 °C 4.7

End. Type/Category Type ou catégorie de boîtier 3R C

Weight Poids lbs 875

VOLTS	CURRENT COURANT	% RATED VOLTAGE NOMINALE	CONNECTION CONNECTION PAR PHASE
2520	25.8	105	1-2
2460	26.4	102.5	2-3
2400	27.1	100	3-4
2340	27.8	97.5	4-5
2280	28.5	95	5-6

SPACINGS BETWEEN ANY VENTILATED ENCLOSURE PANEL AND ANY ADJACENT WALL SHALL BE A MINIMUM OF 5 INCHES



SEISMIC QUALIFICATIONS:  
AS FLOOR MOUNT ONLY  
IBC 2018/ASCE 7-16  
SDS<=2.0g Z/n=1 Ip=1.5

d000590hb



All Dimensions in inches



ENCLOSURE COLOR :ANSI 61 GREY – OUTDOOR

HV TERMINAL DETAIL

LV TERMINAL DETAIL

MECHANICAL TYPE LUGS INCLUDED  
SUITABLE FOR #14-2 CU/AL  
CONDUCTORS  
1 CONDUCTOR PER PHASE

MECHANICAL TYPE LUGS INCLUDED  
SUITABLE FOR 350MCM-6 CU/AL  
CONDUCTORS  
2 CONDUCTORS PER PHASE

CUSTOMER NOTES:

- HV TERMINATED AT TOP FRONT
- LV TERMINATED AT BOTTOM FRONT



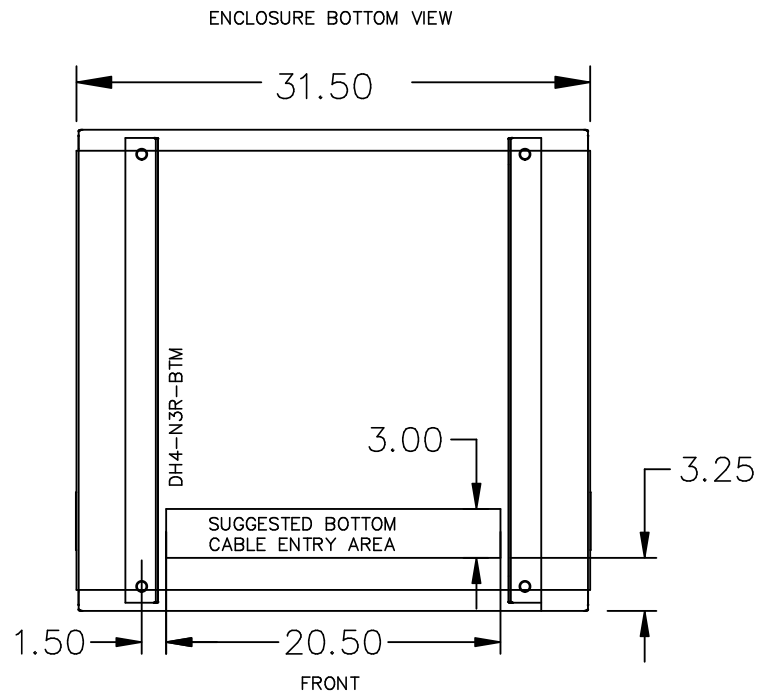
TITLE: 3PH DISTRIBUTION TRANSFORMER

2	21/07/16	PP	EDB UPDATE	DES: DCORTEZ
1	20/03/17	PP	SEISMIC UPDATE	DATE: 18/06/18
NO.	DATE	BY	REVISION	SCALE: NTS

SHEET 2 OF 3

EDBMG3A0112RBSCHCO

THIS DRAWING CONTAINS STRICTLY CONFIDENTIAL INFORMATION BELONGING TO HAMMOND POWER SOLUTIONS AND MUST NOT BE DISTRIBUTED OUTSIDE AUTHORIZED PARTIES. 2.0 httpd 2026/05/19 06:49



NOTE:  
 WHEN BOTTOM CABLE ENTRY IS OPTED, THE SPACE USED FOR CONDUITS IN THE FRONT OF THE TRANSFORMER SHOULD NOT OBSTRUCT MORE THAN 50% OF THE FRONT AIR INTAKE AREA DEFINED BETWEEN THE BOTTOM PLATE AND THE SUPPORTING LEGS.  
 SEE MANUAL FOR ADDITIONAL INFORMATION



TITLE: 3PH DISTRIBUTION TRANSFORMER  
 ENCLOSURE BOTTOM VIEW

2	21/07/16	PP	EDB UPDATE	DES: DCORTEZ
1	20/03/17	PP	SEISMIC UPDATE	DATE: 18/06/18
NO.	DATE	BY	REVISION	SCALE: NTS

SHEET 3 OF 3

EDBMC3A0112RBSCHCO