



TITLE: 3PH DISTRIBUTION TRANSFORMER
NAMEPLATE INFORMATION


4	22/06/29	DC	UPDATED	TOTAL WEIGHT(HCN: 77115)	DES: ASETH
3	21/07/13	PP	EDB UPDATE		DATE: 15/11/30
NO.	DATE	BY	REVISION		SCALE: NTS

SHEET 1 OF 3

EDBMC3A0075SKSAGCCO

4.2 httpd 2026/06/25 04:01


THIS DRAWING CONTAINS STRICTLY CONFIDENTIAL INFORMATION BELONGING TO HAMMOND POWER SOLUTIONS AND MUST NOT BE DISTRIBUTED OUTSIDE AUTHORIZED PARTIES.



hammond
POWER SOLUTIONS

Distribution Transformer
Transformateur de Distribution

LR 3902
DISTRIBUTION TRANSFORMER
E147879



LISTED

Guelph, ONT Baraboo, WI
Compton, CA Monterrey, MX

Hyderabad, IN Part No. MG3A0075SKSAGCCO

Cust. Ref. [] Serial No. []
Ref. du Client [] No. de Serie []

Phase 3 HV/HT 4160V 10.4A

Type K BIL 30 kV

Cooling Refroidissement ANN Term Bornes H1 H2 H3

kVA 75 LV/BT 480Y/277V 90.2A

Temp. Rise Echauffement 130 °C BIL 10 kV

Temp Class 200 °C Term Bornes X0 X1 X2 X3

Winding Enroulement AL Energy Regulations DOE 10 CFR PART 431:2016

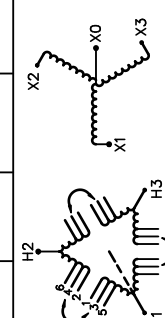
Frequency 60 Reglements Energetique CEE ACT SOR/2018-201

Impedance % @ 150 °C 3.6

End. Type/Category Type ou categorie de boîtier 3R C

Weight lbs/kg Poids 729/331

VOLTS	CURRENT COURANT	% RATED VOLTAGE % NOMINALE	CONNECTION CONNECTION FOR CONNECTION PAR PHASE
4368	9.9	105	1-2
4264	10.2	102.5	2-3
4160	10.4	100	3-4
4056	10.7	97.5	4-5
3952	11.0	95	5-6

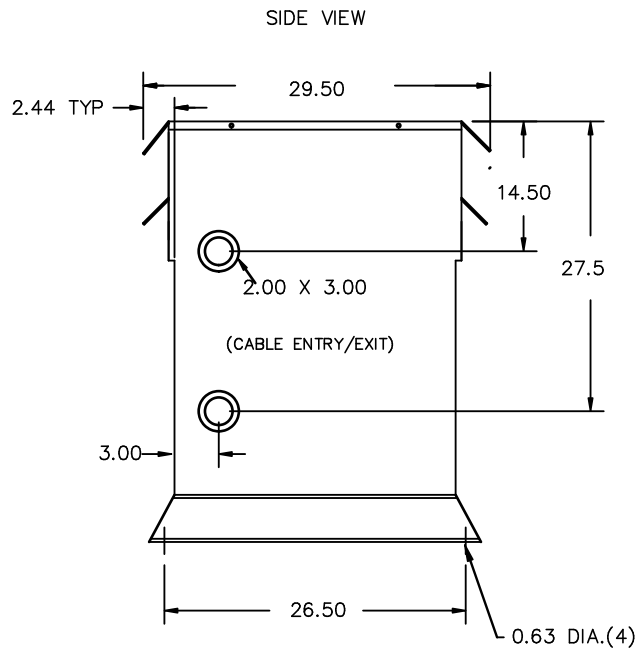


SEISMIC QUALIFICATIONS:
AS FLOOR MOUNT ONLY
IBC 2018/ASCE 7-16
SDS<=2.0g Z/n=1 Ip=1.5

d000590hb



All Dimensions in inches



ENCLOSURE COLOR :ANSI 61 GREY – OUTDOOR

HV TERMINAL DETAIL

LV TERMINAL DETAIL

MECHANICAL TYPE LUGS INCLUDED
SUITABLE FOR #14-2 CU/AL
CONDUCTORS
1 CONDUCTOR PER PHASE

MECHANICAL TYPE LUGS INCLUDED
SUITABLE FOR #2/0-14 CU/AL
CONDUCTORS
1 CONDUCTOR PER PHASE

CUSTOMER NOTES:

- HV TERMINATED AT TOP FRONT
- LV TERMINATED AT BOTTOM FRONT



TITLE: 3PH DISTRIBUTION TRANSFORMER

4	22/06/29	DC	UPDATED TOTAL WEIGHT(HCN: 77115)	DES: ASETH
3	21/07/13	PP	EDB UPDATE	DATE: 15/11/30
NO.	DATE	BY	REVISION	SCALE: NTS

SHEET 2 OF 3

EDBMC3A0075SKSAGCO



NOTE:
 WHEN BOTTOM CABLE ENTRY IS OPTED, THE SPACE USED FOR CONDUITS IN THE FRONT OF THE TRANSFORMER SHOULD NOT OBSTRUCT MORE THAN 50% OF THE FRONT AIR INTAKE AREA DEFINED BETWEEN THE BOTTOM PLATE AND THE SUPPORTING LEGS.
 SEE MANUAL FOR ADDITIONAL INFORMATION



TITLE: 3PH DISTRIBUTION TRANSFORMER
ENCLOSURE BOTTOM VIEW

4	22/06/29	DC	UPDATED TOTAL WEIGHT(HCN: 77115)	DES: ASETH
3	21/07/13	PP	EDB UPDATE	DATE: 15/11/30
NO.	DATE	BY	REVISION	SCALE: NTS

SHEET 3 OF 3

EDBMC3A0075SKSAGCO