




TITLE: 3PH DISTRIBUTION TRANSFORMER  
NAMEPLATE INFORMATION

3	23/01/26	DC	UPDATED NRCAN VERSION	DES: MABDELAT
2	21/07/16	PP	EDB UPDATE	DATE: 17/06/28
NO.	DATE	BY	REVISION	SCALE: NTS

SHEET 1 OF 3


EDBMG3A0075SBSGCCO

3.0 httpd 2026/06/25 01:34



**hammond**  
POWER SOLUTIONS

Distribution Transformer  
Transformateur de Distribution



LR 3902  
DISTRIBUTION TRANSFORMER  
E147879  
LISTED

Guelph, ONT Baraboo, WI  
Compton, CA Monterrey, MX

Hyderabad, IN Part No. MG3A0075SBSGCCO

Cust. Ref. [ ] Serial No. [ ]  
Ref. du Client [ ] No. de Serie [ ]

Phase 3 HV/HT 4160V 10.4A

Type K BIL 30 kV

Cooling Refroidissement ANN Term Bornes H1 H2 H3

kVA 75 LV/BT 208Y/120V 208A

Temp. Rise Echauffement 130 °C BIL 10 kV

Temp Class 200 °C Term Bornes X0 X1 X2 X3

Winding Enroulement CU Energy Regulations DOE 10 CFR PART 431:2016

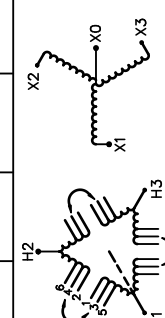
Frequency 60 Reglements Energetique CEE ACT SOR/2018-201

Impedance % @ 150 °C 4.2

End. Type/Category Type ou categorie de boîtier 3R C

Weight lbs/kg Poids 735/334

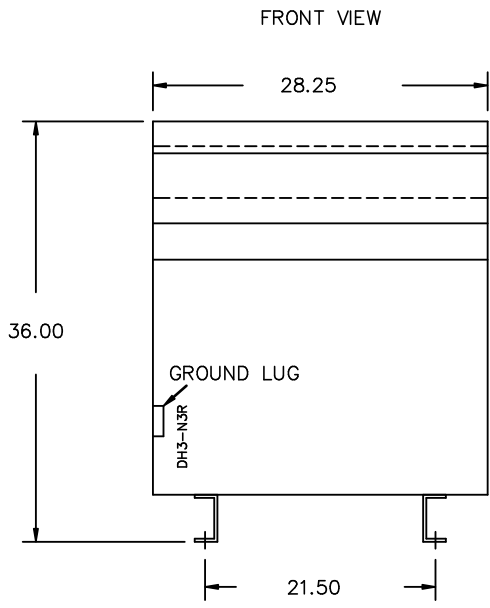
VOLTS	CURRENT COURANT	% RATED VOLTAGE % NOMINALE	CONNECTION CONNECTION PAR PHASE
4368	9.9	105	1-2
4264	10.2	102.5	2-3
4160	10.4	100	3-4
4056	10.7	97.5	4-5
3952	11.0	95	5-6



SEISMIC QUALIFICATIONS:  
XS FLOOR MOUNT ONLY  
IBC 2018/ASCE 7-16  
SDS<=2.0g Z/n=1 Ip=1.5

SPACINGS BETWEEN ANY VENTILATED ENCLOSURE PANEL AND ANY ADJACENT WALL SHALL BE A MINIMUM OF 3 INCHES

d000590hb



All Dimensions in inches



ENCLOSURE COLOR :ANSI 61 GREY – OUTDOOR

HV TERMINAL DETAIL

LV TERMINAL DETAIL

MECHANICAL TYPE LUGS INCLUDED  
SUITABLE FOR #2/0-14 CU/AL  
CONDUCTORS  
1 CONDUCTOR PER PHASE

MECHANICAL TYPE LUGS INCLUDED  
SUITABLE FOR 600MCM-2 CU/AL  
CONDUCTORS  
1 CONDUCTOR PER PHASE

CUSTOMER NOTES:

- HV TERMINATED AT TOP FRONT
- LV TERMINATED AT BOTTOM FRONT



TITLE: 3PH DISTRIBUTION TRANSFORMER

3	23/01/26	DC	UPDATED NRCAN VERSION	DES: MABELLAT
2	21/07/16	PP	EDB UPDATE	DATE: 17/06/28
NO.	DATE	BY	REVISION	SCALE: NTS

SHEET 2 OF 3

EDBMC3A0075SBS0000

THIS DRAWING CONTAINS STRICTLY CONFIDENTIAL INFORMATION BELONGING TO HAMMOND POWER SOLUTIONS AND MUST NOT BE DISTRIBUTED OUTSIDE AUTHORIZED PARTIES.

3.0 httpd 2026/06/25 01:34

ENCLOSURE BOTTOM VIEW



NOTE:  
 WHEN BOTTOM CABLE ENTRY IS OPTED, THE SPACE USED FOR CONDUITS IN THE FRONT OF THE TRANSFORMER SHOULD NOT OBSTRUCT MORE THAN 50% OF THE FRONT AIR INTAKE AREA DEFINED BETWEEN THE BOTTOM PLATE AND THE SUPPORTING LEGS.  
 SEE MANUAL FOR ADDITIONAL INFORMATION



TITLE: 3PH DISTRIBUTION TRANSFORMER  
 ENCLOSURE BOTTOM VIEW

3	23/01/26	DC	UPDATED NRCAN VERSION	DES: MABELLAT
2	21/07/16	PP	EDB UPDATE	DATE: 17/06/28
NO.	DATE	BY	REVISION	SCALE: NTS

SHEET 3 OF 3

EDBMC3A0075SBSGCCO