



TITLE: 3PH DISTRIBUTION TRANSFORMER  
NAMEPLATE INFORMATION


1	21/07/16	PP	EDB UPDATE	DES: RMOVVA
NO.	DATE	BY	REVISION	SCALE: NTS

SHEET 1 OF 3

EDBMG3A0075RBSCGCCO

1.0 httpd 2026/04/02 04:11


THIS DRAWING CONTAINS STRICTLY CONFIDENTIAL INFORMATION BELONGING TO HAMMOND POWER SOLUTIONS AND MUST NOT BE DISTRIBUTED OUTSIDE AUTHORIZED PARTIES.



**hammond**  
POWER SOLUTIONS

Distribution Transformer  
Transformateur de Distribution

LR 3902  
DISTRIBUTION TRANSFORMER  
E147879



LISTED

Guelph, ONT Baraboo, WI  
Compton, CA Monterrey, MX

Hyderabad, IN Part No. MG3A0075RBSCGCCO

Cust. Ref. [ ] Serial No. [ ]  
Ref. du Client [ ] No. de Serie [ ]

Phase 3 HV/HT 2400V 18.0A

Type K BIL 20 kV

Cooling Refroidissement ANN Term Bornes H1 H2 H3

kVA 75 LV/BT 208Y/120V 208A

Temp. Rise Echauffement 130 °C BIL 10 kV

Temp Class 200 °C Term Bornes X0 X1 X2 X3

Winding Enroulement CU Energy Regulations DOE 10 CFR PART 431:2016

Frequency 60 Reglements Energetique CEE ACT SOR/2018-201

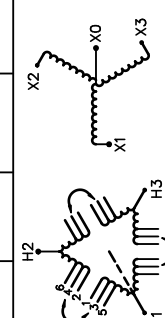
Impedance % @ 150 °C 3.1

End. Type/Category Type ou categorie 3R C

Weight lbs/kg Poids 875/397

VOLTS	CURRENT COURANT	% RATED VOLTAGE % NOMINALE	CONNECTION CONNECTION PAR PHASE
2520	17.2	105	1-2
2460	17.6	102.5	2-3
2400	18.0	100	3-4
2340	18.5	97.5	4-5
2280	19.0	95	5-6

SPACINGS BETWEEN ANY VENTILATED ENCLOSURE PANEL AND ANY ADJACENT WALL SHALL BE A MINIMUM OF 5 INCHES  
ESPACEMENTS ENTRE LES PANNEAUX DE BOITIER VENTILE ET LES MURS ADJACENT DOIVENT ETRE UN MINIMUM DE 5 POUNCES



SEISMIC QUALIFICATIONS:  
AS FLOOR MOUNT ONLY  
IBC 2018/ASCE 7-16  
SDS<=2.0g Z/n=1 Ip=1.5

d000590hb



All Dimensions in inches



ENCLOSURE COLOR :ANSI 61 GREY – OUTDOOR

HV TERMINAL DETAIL

LV TERMINAL DETAIL

MECHANICAL TYPE LUGS INCLUDED  
SUITABLE FOR #14-2 CU/AL  
CONDUCTORS  
1 CONDUCTOR PER PHASE

MECHANICAL TYPE LUGS INCLUDED  
SUITABLE FOR 600MCM-2 CU/AL  
CONDUCTORS  
1 CONDUCTOR PER PHASE

CUSTOMER NOTES:

- HV TERMINATED AT TOP FRONT
- LV TERMINATED AT BOTTOM FRONT

THIS DRAWING CONTAINS STRICTLY CONFIDENTIAL INFORMATION BELONGING TO HAMMOND POWER SOLUTIONS AND MUST NOT BE DISTRIBUTED OUTSIDE AUTHORIZED PARTIES.



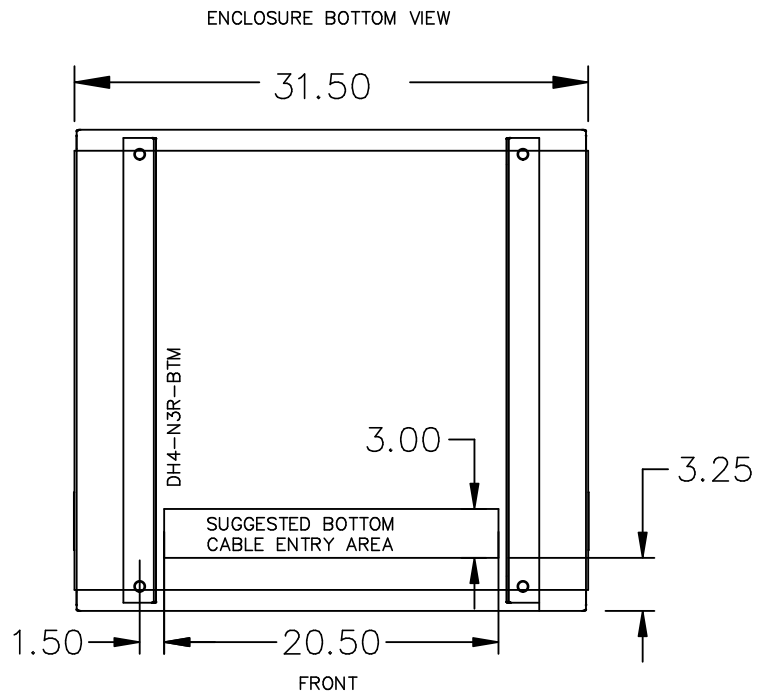
TITLE: 3PH DISTRIBUTION TRANSFORMER

1	21/07/16	PP	EDB UPDATE	DES: RMOVVA
NO.	DATE	BY	REVISION	SCALE: NTS

SHEET 2 OF 3

EDBMC3A0075RBSGCCO

1.0 httpd 2026/04/02 04:11



NOTE:  
 WHEN BOTTOM CABLE ENTRY IS OPTED, THE SPACE USED FOR CONDUITS IN THE FRONT OF THE TRANSFORMER SHOULD NOT OBSTRUCT MORE THAN 50% OF THE FRONT AIR INTAKE AREA DEFINED BETWEEN THE BOTTOM PLATE AND THE SUPPORTING LEGS.  
 SEE MANUAL FOR ADDITIONAL INFORMATION



TITLE: 3PH DISTRIBUTION TRANSFORMER  
 ENCLOSURE BOTTOM VIEW

1	21/07/16	PP	EDB UPDATE	DES: RMOVVA
NO.	DATE	BY	REVISION	SCALE: NTS

SHEET 3 OF 3

EDBMC3A0075RBSGCCO