



TITLE: 3PH DISTRIBUTION TRANSFORMER  
NAMEPLATE INFORMATION

NO.	DATE	BY	REVISION


DES:	CSHAH
DATE:	22/07/06
SCALE:	NTS

SHEET 1 OF 3

EDBMC3A0045KSCGCCO


0.0 httpd 2026/04/02 05:10

THIS DRAWING CONTAINS STRICTLY CONFIDENTIAL INFORMATION BELONGING TO HAMMOND POWER SOLUTIONS AND MUST NOT BE DISTRIBUTED OUTSIDE AUTHORIZED PARTIES.



**hammond**  
POWER SOLUTIONS

Distribution Transformer  
Transformateur de Distribution



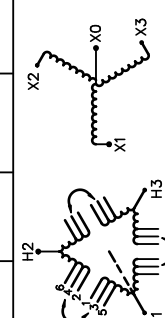
LR 3902  
DISTRIBUTION TRANSFORMER  
E147879  
LISTED

Hyderabad, IN    Guelph, ONT    Baraboo, WI    Spangings BETWEEN ANY VENTILATED ENCLOSURE PANEL AND ANY ADJACENT WALL SHALL BE A MINIMUM OF 3 INCHES

Compton, CA    Monterrey, MX    Part No. MG3A0045KSCGCCO

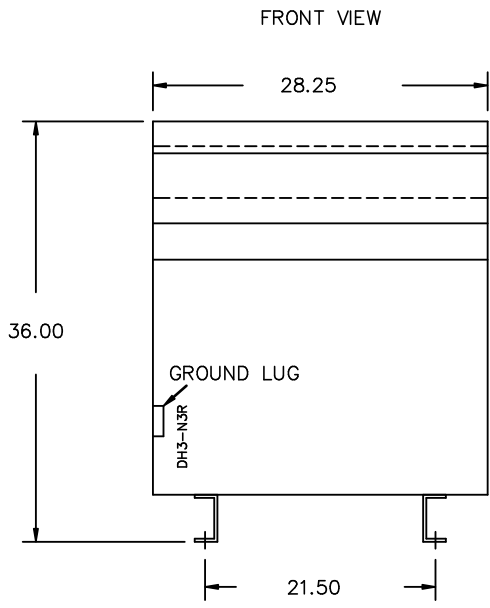
Cust. Ref.	Serial No.	HV/HT	4160V	6.2A	CONNECTION FOR CONNECTION PER PHASE
Ref. du Client	No. de Serie				
Phase	3	K			1-2 2-3 3-4 4-5 5-6
Type			30 kV		
Cooling	ANN		H1 H2 H3		
Refroidissement					
kVA	45		480Y/277V	54.1A	
Temp. Rise	130 °C				
Echauffement			10 kV		
Temp Class	200 °C				
Classe Temp			X0 X1 X2 X3		
Winding	CU				
Enroulement					
Frequency	60				
Frequence Hz					
Impedance %	3.1				
© 150 °C					
End. Type/Category	3R	C			
Type ou categorie de boitier					
Weight lbs/kg	611/278				
Poids					

VOLTS	CURRENT COURANT	% RATED VOLTAGE NOMINALE	CONNECTION FOR CONNECTION PER PHASE
4368	5.9	105	1-2
4264	6.1	102.5	2-3
4160	6.2	100	3-4
4056	6.4	97.5	4-5
3952	6.6	95	5-6



SEISMIC QUALIFICATIONS:  
AS FLOOR MOUNT ONLY  
IBC 2018/ASCE 7-16  
SDS<=2.0g Z/n=0 Ip=1.5

d000590hb



All Dimensions in inches



ENCLOSURE COLOR :ANSI 61 GREY – OUTDOOR

HV TERMINAL DETAIL

LV TERMINAL DETAIL

MECHANICAL TYPE LUGS INCLUDED  
SUITABLE FOR #14-2 CU/AL  
CONDUCTORS  
1 CONDUCTOR PER PHASE

MECHANICAL TYPE LUGS INCLUDED  
SUITABLE FOR #14-2 CU/AL  
CONDUCTORS  
1 CONDUCTOR PER PHASE

CUSTOMER NOTES:

- HV TERMINATED AT TOP FRONT
- LV TERMINATED AT BOTTOM FRONT



TITLE: 3PH DISTRIBUTION TRANSFORMER

DES:	CSHAH
DATE:	22/07/06
SCALE:	NTS

NO.	DATE	BY	REVISION

SHEET 2 OF 3

EDBMG3A0045KSCGCO

ENCLOSURE BOTTOM VIEW



NOTE:  
 WHEN BOTTOM CABLE ENTRY IS OPTED, THE SPACE USED FOR CONDUITS IN THE FRONT OF THE TRANSFORMER SHOULD NOT OBSTRUCT MORE THAN 50% OF THE FRONT AIR INTAKE AREA DEFINED BETWEEN THE BOTTOM PLATE AND THE SUPPORTING LEGS.  
 SEE MANUAL FOR ADDITIONAL INFORMATION



TITLE: 3PH DISTRIBUTION TRANSFORMER  
 ENCLOSURE BOTTOM VIEW

				DES: CSHAH
				DATE: 22/07/06
NO.	DATE	BY	REVISION	SCALE: NTS

SHEET 3 OF 3

EDBMC3A0045KSCGCCO