



- IMPEDANCE SHOWN IS CALCULATED VALUE - NOT GUARANTEED

d000590hb



POWER SOLUTIONS

Distribution Transformer
Transformateur de Distribution



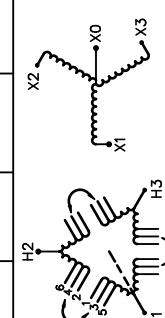
LR 3902
DISTRIBUTION TRANSFORMER
E147879

Hyderabad, IN Guelph, ONT Baraboo, WI **Part No. MG3A0045SBSGCCO**

Compton, CA Monterrey, MX

Cust. Ref.	Serial No.	4160V	6.2A	1-2	CONNECTION FOR CONNECTION PER PHASE
Ref. du Client	No. de Serie	HV/HT			
Phase	3	BIL	30 kV	2-3	
Type	K	Term Bornes	H1 H2 H3	3-4	
Cooling Refroidissement	ANN	LV/BT	208Y/120V 125A	4-5	
kVA	45	BIL	10 kV	5-6	
Temp. Rise Echauffement	130 °C	Term Bornes	X0 X1 X2 X3		
Temp Class	200 °C	Energy Regulations	DOE 10 CFR PART 431:2016		
Winding Enroulement	CU	Reglements Energetique	CEE ACT SOR/2018-201		
Frequency	60	Impedance % @ 150 °C	3.2		
End. Type/Category Type ou categorie de boitier	3R C	Weight Poids	605		

VOLTS	CURRENT COURANT	% RATED VOLTAGE NOMINALE	CONNECTION FOR CONNECTION PER PHASE
4368	5.9	105	1-2
4264	6.1	102.5	2-3
4160	6.2	100	3-4
4056	6.4	97.5	4-5
3952	6.6	95	5-6



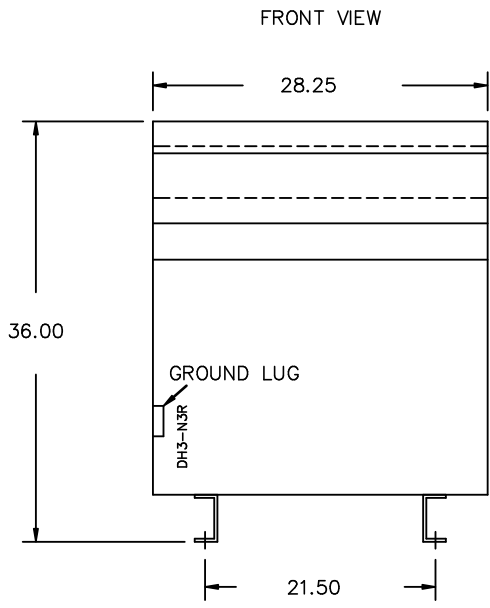
SEISMIC QUALIFICATIONS:
AS FLOOR MOUNT ONLY
IBC 2018/ASCE 7-16
SDS<=2.0g Z/n=1 Ip=1.5



TITLE: 3PH DISTRIBUTION TRANSFORMER. NAMEPLATE INFORMATION				
3	21/08/30	DC	NEW NPL FORMAT(HCN: 75391)	DES: DCORTEZ
2	21/07/16	PP	EDB UPDATE	DATE: 17/09/20
NO.	DATE	BY	REVISION	SCALE: NTS

SHEET 1 OF 3

EDB MG3A0045SBSGCCO



All Dimensions in inches



ENCLOSURE COLOR :ANSI 61 GREY – OUTDOOR

HV TERMINAL DETAIL

LV TERMINAL DETAIL

MECHANICAL TYPE LUGS INCLUDED
SUITABLE FOR #14-2 CU/AL
CONDUCTORS
1 CONDUCTOR PER PHASE

MECHANICAL TYPE LUGS INCLUDED
SUITABLE FOR 250MCM-6 CU/AL
CONDUCTORS
1 CONDUCTOR PER PHASE

CUSTOMER NOTES:

- HV TERMINATED AT TOP FRONT
- LV TERMINATED AT BOTTOM FRONT

THIS DRAWING CONTAINS STRICTLY CONFIDENTIAL INFORMATION BELONGING TO HAMMOND POWER SOLUTIONS AND MUST NOT BE DISTRIBUTED OUTSIDE AUTHORIZED PARTIES.



TITLE: 3PH DISTRIBUTION TRANSFORMER.

3	21/08/30	DC	NEW NPL FORMAT(HCN: 75391)	DES: DCORTEZ
2	21/07/16	PP	EDB UPDATE	DATE: 17/09/20
NO.	DATE	BY	REVISION	SCALE: NTS

SHEET 2 OF 3

EDBMC3A0045SBSGCCO

3.0 httpd 2026/05/26 12:54

ENCLOSURE BOTTOM VIEW



NOTE:
 WHEN BOTTOM CABLE ENTRY IS OPTED, THE SPACE USED FOR CONDUITS IN THE FRONT OF THE TRANSFORMER SHOULD NOT OBSTRUCT MORE THAN 50% OF THE FRONT AIR INTAKE AREA DEFINED BETWEEN THE BOTTOM PLATE AND THE SUPPORTING LEGS.
 SEE MANUAL FOR ADDITIONAL INFORMATION



TITLE: 3PH DISTRIBUTION TRANSFORMER.
 ENCLOSURE BOTTOM VIEW

3	21/08/30	DC	NEW NPL FORMAT(HCN: 75391)	DES: DCORTEZ
2	21/07/16	PP	EDB UPDATE	DATE: 17/09/20
NO.	DATE	BY	REVISION	SCALE: NTS

SHEET 3 OF 3

EDBMC3A0045SBSGCCO