



TITLE: 3PH DISTRIBUTION TRANSFORMER
NAMEPLATE INFORMATION

3	21/07/16	PP	EDB UPDATE	DES: GPATEL
2	20/03/17	PP	SEISMIC UPDATE	DATE: 17/06/26
NO.	DATE	BY	REVISION	SCALE: NTS

SHEET 1 OF 3

EDBMG3A0045RKSCGCO

3.0 httpd 2026/04/03 16:20

THIS DRAWING CONTAINS STRICTLY CONFIDENTIAL INFORMATION BELONGING TO HAMMOND POWER SOLUTIONS AND MUST NOT BE DISTRIBUTED OUTSIDE AUTHORIZED PARTIES.

hammond
POWER SOLUTIONS

Distribution Transformer
Transformateur de Distribution

LR 3902
DISTRIBUTION TRANSFORMER
E147879

8 03423 13411 2

ALSO VERIFIED IN ACCORDANCE TO ENERGY STANDARD C802.2-18 BY UNDERWITERS LABORATORIES INC. 316

LISTED

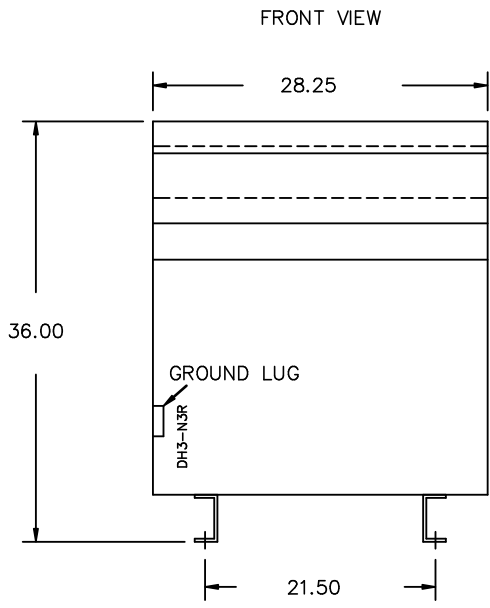
Hyderabad, IN Guelph, ONT Baraboo, WI Spangings BETWEEN ANY VENTILATED ENCLOSURE PANEL AND ANY ADJACENT WALL SHALL BE A MINIMUM OF 3 INCHES ESPACEMENTS ENTRE LES PANNEAUX DE BOUTIER VENTILE ET LES MURS ADJACENT DOIVENT ETRE UN MINIMUM DE 3 POUNCES

Compton, CA Monterrey, MX Part No. MG3A0045RKSCGCO

Cust. Ref.	Serial No.	VOLTS	% RATED VOLTAGE NOMINALE	CONNECTION CONNECTION PAR PHASE
Ref. du Client	No. de Serie			
Phase	HV/HT	2400V	105	1-2
Type	BIL	20 kV	102.5	2-3
Cooling Refroidissement	Term Bornes	H1 H2 H3	100	3-4
kVA	LV/BT	480Y/277V	97.5	4-5
Temp. Rise Echauffement	BIL	10 kV	95	5-6
Temp Class Classe Temp	Term Bornes	X0 X1 X2 X3		
Winding Enroulement	Energy Regulations Reglements Energetique	DOE 10 CFR PART 431:2016		
Frequency Fréquence Hz		CEE ACT SOR/2018-201		
Impedance % @ 150°C				
End. Type/Category Type ou catégorie de boîtier				
Weight Poids				

SEISMIC QUALIFICATIONS:
AS FLOOR MOUNT ONLY
IBC 2018/ASCE 7-16
SDS<=2.0g Z/n=1 Ip=1.5

MG3A0045RKSCGCO



All Dimensions in inches



ENCLOSURE COLOR :ANSI 61 GREY – OUTDOOR

HV TERMINAL DETAIL

LV TERMINAL DETAIL

MECHANICAL TYPE LUGS INCLUDED
SUITABLE FOR #14-2 CU/AL
CONDUCTORS
1 CONDUCTOR PER PHASE

MECHANICAL TYPE LUGS INCLUDED
SUITABLE FOR #14-2 CU/AL
CONDUCTORS
1 CONDUCTOR PER PHASE

CUSTOMER NOTES:

- HV TERMINATED AT TOP FRONT
- LV TERMINATED AT BOTTOM FRONT



TITLE: 3PH DISTRIBUTION TRANSFORMER

NO.	DATE	BY	REVISION	SCALE:
3	21/07/16	PP	EDB UPDATE	DES: GPATEL
2	20/03/17	PP	SEISMIC UPDATE	DATE: 17/06/26
				SCALE: NTS

SHEET 2 OF 3

EDBMC340045RKS000

ENCLOSURE BOTTOM VIEW



NOTE:
 WHEN BOTTOM CABLE ENTRY IS OPTED, THE SPACE USED FOR CONDUITS IN THE FRONT OF THE TRANSFORMER SHOULD NOT OBSTRUCT MORE THAN 50% OF THE FRONT AIR INTAKE AREA DEFINED BETWEEN THE BOTTOM PLATE AND THE SUPPORTING LEGS.
 SEE MANUAL FOR ADDITIONAL INFORMATION



TITLE: 3PH DISTRIBUTION TRANSFORMER
 ENCLOSURE BOTTOM VIEW

3	21/07/16	PP	EDB UPDATE	DES: GPATEL
2	20/03/17	PP	SEISMIC UPDATE	DATE: 17/06/26
NO.	DATE	BY	REVISION	SCALE: NTS

SHEET 3 OF 3

EDBMC3A0045RKS000