



TITLE: 3PH DISTRIBUTION TRANSFORMER  
NAMEPLATE INFORMATION


1	21/07/16	PP	EDB UPDATE	DES: RMOVVA
NO.	DATE	BY	REVISION	SCALE: NTS

SHEET 1 OF 3

EDBMG3A0045RKSAGCO

1.0 httpd 2026/06/03 23:45


THIS DRAWING CONTAINS STRICTLY CONFIDENTIAL INFORMATION BELONGING TO HAMMOND POWER SOLUTIONS AND MUST NOT BE DISTRIBUTED OUTSIDE AUTHORIZED PARTIES.



**hammond**  
POWER SOLUTIONS

Distribution Transformer  
Transformateur de Distribution

LR 3902  
DISTRIBUTION TRANSFORMER  
E147879

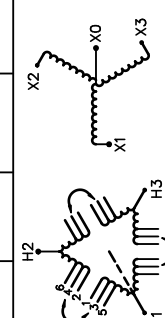


LISTED

Hyderabad, IN    Guelph, ONT    Baraboo, WI    8 03423 17491 0  
Compton, CA    Monterrey, MX    Part No. MG3A0045RKSAGCO

Cust. Ref. Ref. du Client	Serial No. No. de Serie	HV/HT	2400V	10.8A
Phase	3	BIL	20 kV	
Type	K	Term Bornes	H1 H2 H3	
Cooling Refroidissement	ANN	LV/BT	480Y/277V	54.1A
kVA	45	BIL	10 kV	
Temp. Rise Echauffement	130 °C	Term Bornes	X0 X1 X2 X3	
Temp Class Classe Temp	200 °C	Winding Enroulement	AL	DOE 10 CFR PART 431:2016
Frequency Frequence Hz	60	Regulations de	60	CEE ACT SOR/2018-201
Impedance % @ 150 °C	3.2	Energy Energetique		
End. Type/Category Type ou categorie de boitier	3R C	Weight Poids	545	

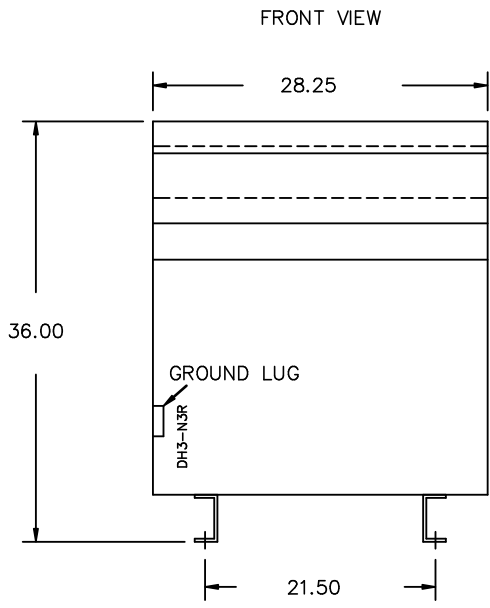
VOLTS	CURRENT COURANT	% RATED VOLTAGE % NOMINALE	CONNECTION FOR CONNECTION PAR PHASE
2520	10.3	105	1-2
2460	10.6	102.5	2-3
2400	10.8	100	3-4
2340	11.1	97.5	4-5
2280	11.4	95	5-6



SEISMIC QUALIFICATIONS:  
AS FLOOR MOUNT ONLY  
IBC 2018/ASCE 7-16  
SDS<=2.0g Z/n=1 Ip=1.5

d000590hb

SPACINGS BETWEEN ANY VENTILATED ENCLOSURE PANEL AND ANY ADJACENT WALL SHALL BE A MINIMUM OF 3 INCHES



All Dimensions in inches



ENCLOSURE COLOR :ANSI 61 GREY – OUTDOOR

H.V.1. TERMINAL DETAIL

L.V.1. TERMINAL DETAIL

MECHANICAL TYPE LUGS INCLUDED  
SUITABLE FOR #14-2 CU/AL  
CONDUCTORS  
1 CONDUCTOR PER PHASE

MECHANICAL TYPE LUGS INCLUDED  
SUITABLE FOR #14-2 CU/AL  
CONDUCTORS  
1 CONDUCTOR PER PHASE

CUSTOMER NOTES:

- HV1 TERMINATED AT TOP FRONT
- LV1 TERMINATED AT BOTTOM FRONT



TITLE: 3PH DISTRIBUTION TRANSFORMER

NO.	DATE	BY	REVISION	SCALE
1	21/07/16	PP	EDB UPDATE	DES: RMOVVA
				DATE: 21/03/24
				SCALE: NTS

SHEET 2 OF 3

EDBMC34004FRKSA6CO

ENCLOSURE BOTTOM VIEW



NOTE:  
 WHEN BOTTOM CABLE ENTRY IS OPTED, THE SPACE USED FOR CONDUITS IN THE FRONT OF THE TRANSFORMER SHOULD NOT OBSTRUCT MORE THAN 50% OF THE FRONT AIR INTAKE AREA DEFINED BETWEEN THE BOTTOM PLATE AND THE SUPPORTING LEGS.  
 SEE MANUAL FOR ADDITIONAL INFORMATION



TITLE: 3PH DISTRIBUTION TRANSFORMER  
 ENCLOSURE BOTTOM VIEW

1	21/07/16	PP	EDB UPDATE	DES: RMOVVA
NO.	DATE	BY	REVISION	SCALE: NTS

SHEET 3 OF 3

EDBMC340045RKSAGCO