



TITLE: 3PH DISTRIBUTION TRANSFORMER
NAMEPLATE INFORMATION

DES:	DCORTEZ
DATE:	25/04/17
SCALE:	NTS

SHEET 1 OF 3

EDBMC3A0030SBSCHCO

0.0 httpd 2026/06/03 22:08

THIS DRAWING CONTAINS STRICTLY CONFIDENTIAL INFORMATION BELONGING TO HAMMOND POWER SOLUTIONS AND MUST NOT BE DISTRIBUTED OUTSIDE AUTHORIZED PARTIES.



POWER SOLUTIONS Distribution Transformer
Transformateur de Distribution



UL LISTED
DISTRIBUTION TRANSFORMER
E147879

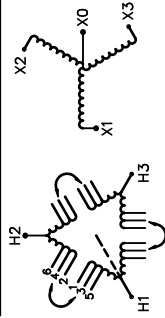
LR 3902

ALSO VERIFIED IN ACCORDANCE
TO ENERGY STANDARD C802.2-18
BY UNDERWITERS LABORATORIES INC. 3106

Hyderabad, IN Guelph, ONT Compton, CA Baraboo, WI Monterrey, MX Part No. MG3A0030SBSCHCO

Cust. Ref.	Serial No.	
Ref. du Client	No. de Serie	
Phase	HV/HT	4.2A
Type	BIL	30 kV
Cooling	Term Bornes	H1 H2 H3
Refroidissement	LV/BT	208Y/120V 83.3A
kVA		
Temp. Rise	BIL	10 kV
Echauffement	Term Bornes	X0 X1 X2 X3
Temp Class		
Classe Temp		
Winding	Energy Regulations	DOE 10 CFR PART 431:2016
Enroulement	Reglements Energetique	CEE ACT SOR/2018-201
Frequency		
Frequence Hz		
Impedance %		
@ 150°C		
End. Type/Category		
Type ou categorie de boitier	3R	C
Weight lbs/kg	437	199
Poids		

VOLTS	CURRENT COURANT	% RATED VOLTAGE % NOMINALE	CONNECTION FOR CONNECTION PAR PHASE
4368	4.0	105	1-2
4264	4.1	102.5	2-3
4160	4.2	100	3-4
4056	4.3	97.5	4-5
3952	4.4	95	5-6



SEISMIC QUALIFICATIONS:
GSP-0136/IBC, 2018/ASCE 7-16
SDS<=2.0g Z/n=1 Ip=1.5

d000590hb



All Dimensions in inches

ENCLOSURE COLOR : ANSI 61 GREY – OUTDOOR

HV TERMINAL DETAIL

LV TERMINAL DETAIL

MECHANICAL TYPE LUGS INCLUDED
SUITABLE FOR #14-2 CU/AL
CONDUCTORS
1 CONDUCTOR PER PHASE

MECHANICAL TYPE LUGS INCLUDED
SUITABLE FOR #2/0-14 CU/AL
CONDUCTORS
1 CONDUCTOR PER PHASE

CUSTOMER NOTES:

- HV TERMINATED AT TOP FRONT
- LV TERMINATED AT BOTTOM FRONT



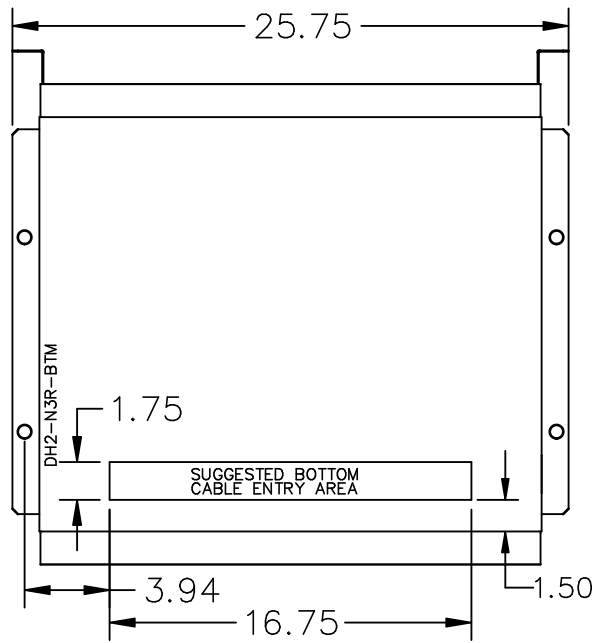
TITLE: 3PH DISTRIBUTION TRANSFORMER

				DES: DCORTEZ
				DATE: 25/04/17
NO.	DATE	BY	REVISION	SCALE: NTS

SHEET 2 OF 3

EDBMC3A0030SBSCHCO

ENCLOSURE BOTTOM VIEW



NOTE:
 WHEN BOTTOM CABLE ENTRY IS OPTED, THE SPACE USED FOR CONDUITS IN THE FRONT OF THE TRANSFORMER SHOULD NOT OBSTRUCT MORE THAN 50% OF THE FRONT AIR INTAKE AREA DEFINED BETWEEN THE BOTTOM PLATE AND THE SUPPORTING LEGS.
 SEE MANUAL FOR ADDITIONAL INFORMATION



TITLE: 3PH DISTRIBUTION TRANSFORMER
 ENCLOSURE BOTTOM VIEW

				DES: DCORTEZ
				DATE: 25/04/17
NO.	DATE	BY	REVISION	SCALE: NTS

SHEET 3 OF 3

EDBMC3A0030BSCHCO