

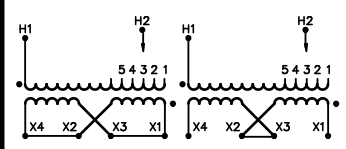
**hammond**  
POWER SOLUTIONS



GUELPH, ONT. BARABOO, WI COMPTON, CA MONTERREY, MX

Distribution Transformer

HV/HT	4160V 60A			Cust. Ref.	
BIL	30			Réf. du client	
TERM. BORNES	H1 H2			Serial No.	
				No. de série	
				Part No.	MG2L0250SESACHO
				No. de pièce	
				Phase	1
				TYPE	F
				Cooling	ANN
				Refroidissement	
				kVA	250
				Temp. Rise	150 °C
				Échauffement	
				Temp. Class	220 °C
				Classe de Temp.	
				Frequency	60 Hz
				Fréquence	
LV/BT	120X240V 1042A			Impédance %	6.2
BIL	10			Encl. Type	3R
TERM. BORNES	X4 X2 X3 X1			Type de boîtier	
				Wt lbs	1650
				Poids	
				Winding	AL
				Enroulement	



Energy Regulations  
Reglements de  
Energetique

DOE 10 CFR  
PART 431:2016

CEE ACT  
SOR/2011-182

ALSO VERIFIED IN ACCORDANCE TO  
ENERGY STANDARD C802.2-12 BY  
UNDERWRITERS LABORATORIES INC. 3VJ6

SPACINGS BETWEEN ANY VENTILATED ENCLOSURE PANEL AND  
ANY ADJACENT WALL SHALL BE A MINIMUM OF 5 INCHES  
EXCEPT WHEN WALL MOUNTED USING APPROVED WALL MOUNTING KIT

BOTH H2 JUMPERS MUST BE ON SAME TAP-  
BOTH COILS

0455500000



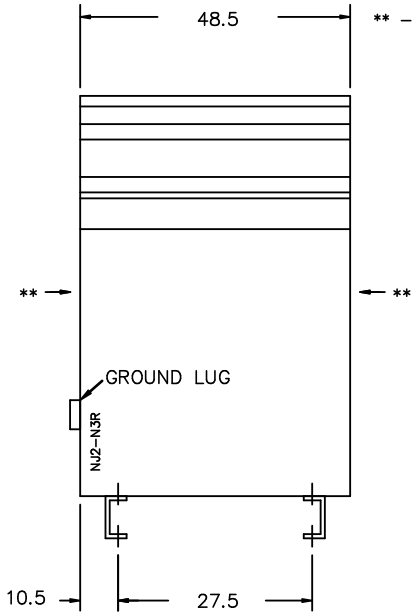
TITLE: 1PH DISTRIBUTION TRANSFORMER NAMEPLATE INFORMATION				
1	21/07/16	PP	EDB UPDATE	DES: LCEN
NO.	DATE	BY	REVISION	SCALE: NTS

SHEET 1 OF 2

EDB MG2L0250SESACHO

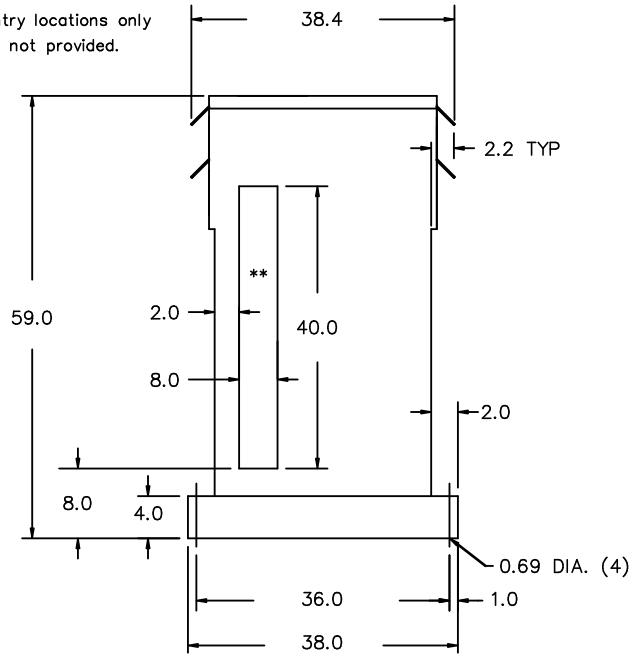
THIS DRAWING CONTAINS STRICTLY CONFIDENTIAL INFORMATION BELONGING TO HAMMOND POWER SOLUTIONS AND MUST NOT BE DISTRIBUTED OUTSIDE AUTHORIZED PARTIES.

FRONT VIEW



\*\* - Recommended cable entry locations only  
cutouts & gland plates not provided.

SIDE VIEW



All Dimensions in inches

ENCLOSURE COLOR : ANSI 61 GREY - OUTDOOR

CUSTOMER NOTES:

- HV TERMINATED AT BOTTOM FRONT
- LV TERMINATED AT TOP FRONT

THIS DRAWING CONTAINS STRICTLY CONFIDENTIAL INFORMATION BELONGING TO HAMMOND POWER SOLUTIONS AND MUST NOT BE DISTRIBUTED OUTSIDE AUTHORIZED PARTIES.



TITLE: 1PH DISTRIBUTION TRANSFORMER

1	21/07/16	PP	EDB UPDATE	DES: LCEN
NO.	DATE	BY	REVISION	SCALE: NTS

SHEET 2 OF 2

EDBMG2102505ESAHCO

1.0 httpd 2026/06/06 21:59