



TITLE: 1PH DISTRIBUTION TRANSFORMER
NAMEPLATE INFORMATION

NO.	DATE	BY	REVISION

DES:	DCORTEZ
DATE:	25/02/10
SCALE:	NTS

SHEET 1 OF 2

EDBMG2L0167SESAHCO

0.2 httpd 2026/04/03 02:02

THIS DRAWING CONTAINS STRICTLY CONFIDENTIAL INFORMATION BELONGING TO HAMMOND POWER SOLUTIONS AND MUST NOT BE DISTRIBUTED OUTSIDE AUTHORIZED PARTIES.

hammond
POWER SOLUTIONS

Distribution Transformer
Transformateur de Distribution

LR 3902
DISTRIBUTION TRANSFORMER
E147879

ALSO VERIFIED IN ACCORDANCE
TO ENERGY STANDARD C802.2-18
BY UNDERWRITERS LABORATORIES INC. 316

LISTED

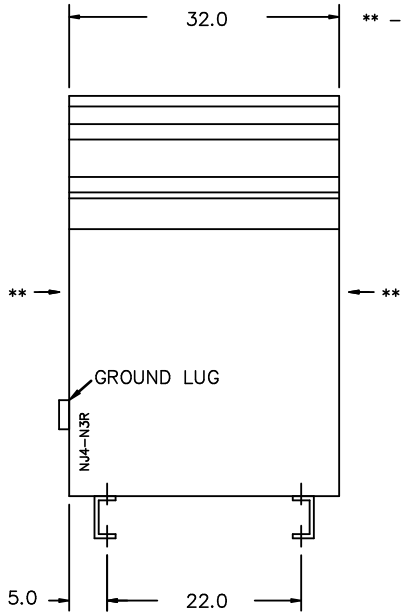
Hyderabad, IN Guelph, ONT Baraboo, WI Spangings BETWEEN ANY VENTILATED ENCLOSURE PANEL AND ANY ADJACENT WALL SHALL BE A MINIMUM OF 5 INCHES

Compton, CA Monterrey, MX Part No. MG2L0167SESAHCO

Cust. Ref. Ref. du Client	Serial No. No. de Serie	HV/HT	4160V	40.1A	CONNECTION FOR CONNECTION PAR PHASE	1-2 2-3 3-4 4-5 5-6
Phase	1	BIL	30 kV		% RATED VOLTAGE % NOMINALE	105 102.5 100 97.5 95
Type	F	Term Bornes	H1 H2		CURRENT COURANT	38.2 39.2 40.1 41.2 42.3
Cooling Refroidissement	ANN	LV/BT	120/240V	696A	SECONDARY VOLTS 120V LINK X4-X2 & X3-X1 240V LINK X2-X3	
kVA	167	BIL	10 kV			
Temp. Rise Echauffement	150 °C	Term Bornes	X4 X2 X3 X1			
Temp Class Classe Temp	220 °C	Winding Enroulement	DOE 10 CFR PART 431:2016			
Frequency Frequence Hz	60	Energy Regulations de Energetique	CEE ACT SOR/2018-201			
Impedance % @ 170 °C	6.2	End. Type/Category Type ou categorie de boitier				
Weight Poids	1290/586					

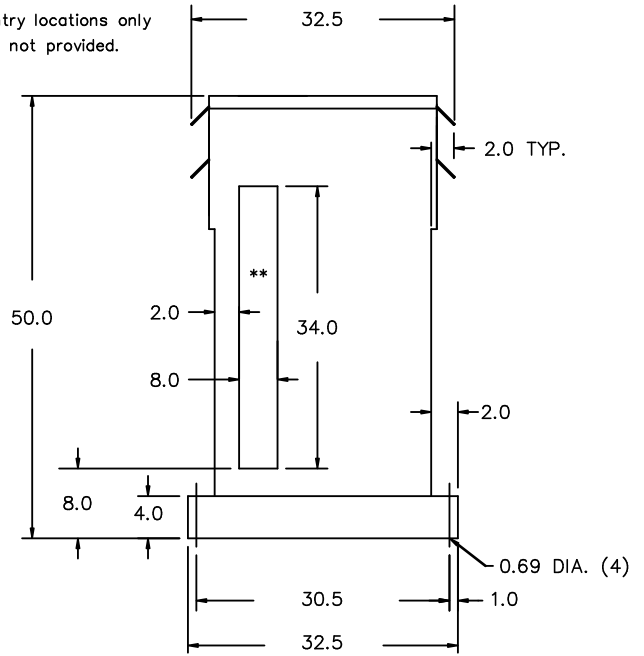
d000590hb

FRONT VIEW



** - Recommended cable entry locations only
cutouts & gland plates not provided.

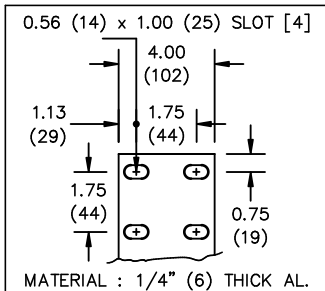
SIDE VIEW



All Dimensions in inches

ENCLOSURE COLOR : ANSI 61 GREY - OUTDOOR

LV TERMINAL DETAIL



HV TERMINAL DETAIL

MECHANICAL TYPE LUGS INCLUDED
SUITABLE FOR #2/0-14 CU/AL
CONDUCTORS
1 CONDUCTOR PER PHASE

CUSTOMER NOTES:

- LV TERMINATED AT TOP FRONT
- HV TERMINATED AT TOP REAR
- HV TAPS ON REAR COIL FACE



TITLE: 1PH DISTRIBUTION TRANSFORMER

DES:	DCORTEZ
DATE:	25/02/10
SCALE:	NTS

NO.	DATE	BY	REVISION

SHEET 2 OF 2

EDBMG210167SESAHCO