



TITLE: 1PH DISTRIBUTION TRANSFORMER NAMEPLATE INFORMATION			
1	21/07/16	PP	EDB UPDATE
DES:	RBHATIA	DATE:	16/08/30
NO.	DATE	BY	REVISION
			SCALE: NTS

SHEET 1 OF 2

EDBMG210150SESAHCO

1.0 httpd 2026/06/03 16:26

THIS DRAWING CONTAINS STRICTLY CONFIDENTIAL INFORMATION BELONGING TO HAMMOND POWER SOLUTIONS AND MUST NOT BE DISTRIBUTED OUTSIDE AUTHORIZED PARTIES.

hammond
POWER SOLUTIONS

Distribution Transformer
Transformateur de Distribution

LR 3902
DISTRIBUTION TRANSFORMER
E147879 ALSO VERIFIED IN ACCORDANCE TO ENERGY STANDARD CB02.2-12

Hyderabad, IN Guelph, ONT Baraboo, WI
Compton, CA Monterrey, MX Part No. MG2L0150SESAHCO

LISTED

8 03423 13326 9

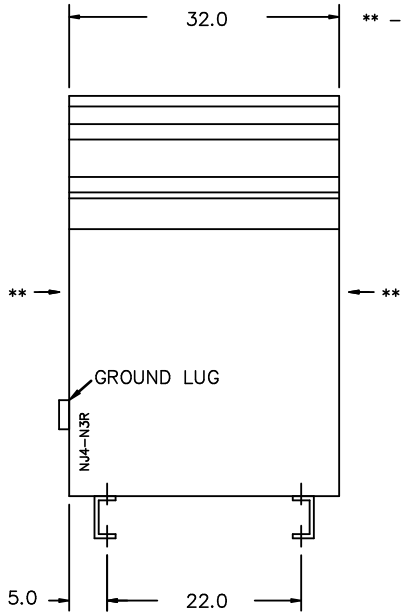
Cust. Ref. Ref. du Client	Serial No. No. de Serie	HV/HT	4160V	VOLTS	% RATED VOLTAGE % NOMINALE	CONNECTION FOR CONNECTION PAR PHASE
Phase	1	BIL	30 kV	4368	105	1-2
Type	F	Term Bornes	H1 H2	4264	102.5	2-3
Cooling Refroidissement	ANN	LV/BT	120/240V	4160	100	3-4
kVA	150	BIL	10 kV	4056	97.5	4-5
Temp. Rise Echauffement	150 °C	Term Bornes	X1 X3 X2 X4	3952	95	5-6
Temp Class Classe Temp	220 °C	Energy Regulations Reglements Energetique	DOE 10 CFR PART 431:2016			
Winding Enroulement	AL	Frequency Hz	60			
Impedance % @ 170 °C	5.9	CEE ACT SOR/2011-182				
End. Type/Category Type ou categorie de boitier	3R	Weight Poids	1100			

d000590hb

SPACINGS BETWEEN ANY VENTILATED ENCLOSURE PANEL AND ANY ADJACENT WALL SHALL BE A MINIMUM OF 5 INCHES EXCEPT WHEN WALL MOUNTED USING APPROVED WALL MOUNTING

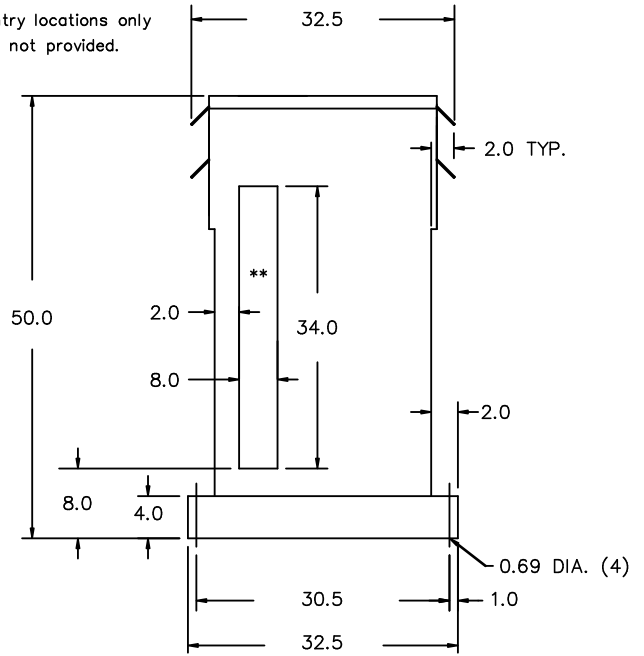
SECONDARY VOLTS
120V LINK X4-X2 & X3-X1
240V LINK X2-X3

FRONT VIEW



** - Recommended cable entry locations only
cutouts & gland plates not provided.

SIDE VIEW



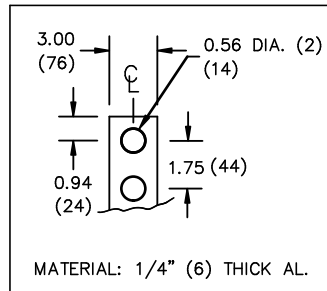
All Dimensions in inches

ENCLOSURE COLOR : ANSI 61 GREY - OUTDOOR

H.V.1. TERMINAL DETAIL

L.V.1. TERMINAL DETAIL

MECHANICAL TYPE LUGS INCLUDED
SUITABLE FOR #14-2 CU/AL
CONDUCTORS
1 CONDUCTOR PER PHASE



CUSTOMER NOTES:

- HV1 TERMINATED AT TOP REAR
- LV1 TERMINATED AT TOP FRONT

THIS DRAWING CONTAINS STRICTLY CONFIDENTIAL INFORMATION BELONGING TO HAMMOND POWER SOLUTIONS AND MUST NOT BE DISTRIBUTED OUTSIDE AUTHORIZED PARTIES.



TITLE: 1PH DISTRIBUTION TRANSFORMER

1	21/07/16	PP	EDB UPDATE	DES: RBHATIA
NO.	DATE	BY	REVISION	SCALE: NTS

SHEET 2 OF 2

EDBMG2101505ESAHC0

1.0 httpd 2026/06/03 16:26