


- IMPEDANCE SHOWN IS CALCULATED VALUE - NOT GUARANTEED

d000590hb



POWER SOLUTIONS

Distribution Transformer
Transformateur de Distribution

Part No. MG2L0037SESCGO

Baraboo, WI
Monterrey, MX

Serial No. _____
No. de Serie _____

HV/HT 4160V

BIL 30 kV

Term Bornes H1 H2


LV/BT 120/240V 313/156A

BIL 10 kV

Term Bornes X4 X2 X3 X1

Energy Regulations DOE 10 CFR PART 431:2016

Reglements de l'energetique CEE ACT SOR/2018-201



LR 3902

DISTRIBUTION TRANSFORMER E147879

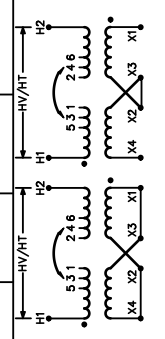
ALSO VERIFIED IN ACCORDANCE TO ENERGY STANDARD C802.2-18 BY UNDERWITERS LABORATORIES INC. 316

LISTED

SPACINGS BETWEEN ANY VENTILATED ENCLOSURE PANEL AND ANY ADJACENT WALL SHALL BE A MINIMUM OF 3 INCHES

SECONDARY VOLTS
120V LINK X4-X2 & X3-X1
240V LINK X2-X3

VOLTS	CURRENT COURANT	% RATED VOLTAGE % NOMINALE	CONNECTION FOR CONNECTION PAR PHASE
4368	8.6	105	1-2
4264	8.8	102.5	2-3
4160	9.0	100	3-4
4056	9.2	97.5	4-5
3952	9.5	95	5-6





TITLE:		1PH DISTRIBUTION TRANSFORMER NAMEPLATE INFORMATION	
2	21/07/13	PP	EDB UPDATE
1	20/03/13	DC	UPDATED I.RISE AND INSL.CLASS(HCN:72096)
NO.	DATE	BY	REVISION
			DES: DCORTEZ
			DATE: 17/07/20
			SCALE: NTS

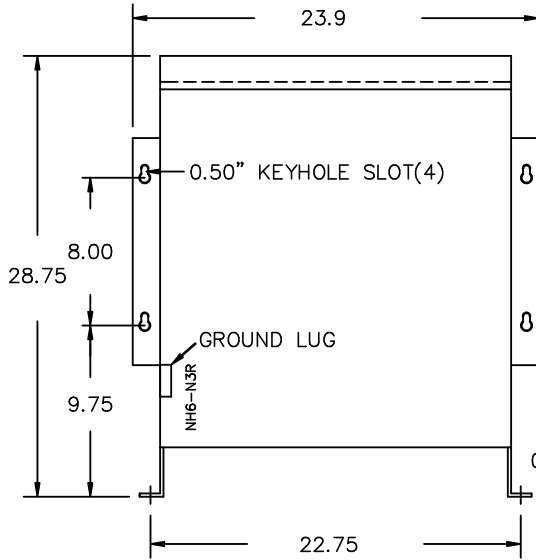
SHEET 1 OF 2

EDBMG2L0037SESCGO

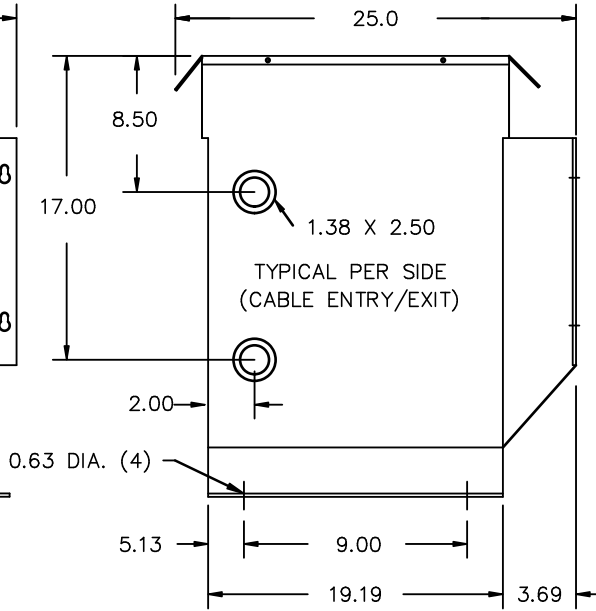
2.0 httpd 2026/06/03 12:13

THIS DRAWING CONTAINS STRICTLY CONFIDENTIAL INFORMATION BELONGING TO HAMMOND POWER SOLUTIONS AND MUST NOT BE DISTRIBUTED OUTSIDE AUTHORIZED PARTIES.

FRONT VIEW



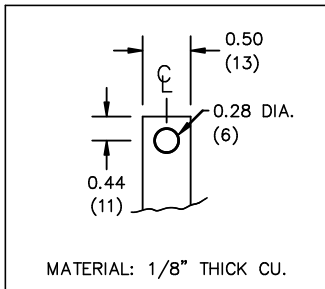
SIDE VIEW



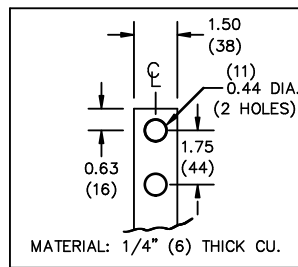
All Dimensions in inches

ENCLOSURE COLOR : ANSI 61 GREY – OUTDOOR

HV TERMINAL DETAIL



LV TERMINAL DETAIL



CUSTOMER NOTES:

- HV TERMINATED AT TOP FRONT
- LV TERMINATED AT BOTTOM FRONT



TITLE: 1PH DISTRIBUTION TRANSFORMER

2	21/07/13	PP	EDB UPDATE	DES: DCORTEZ
1	20/03/13	DC	UPDATED T.RISE AND INSL.CLASS(HCN:72096)	DATE: 17/07/20
NO.	DATE	BY	REVISION	SCALE: NTS

SHEET 2 OF 2

EDBMG210037SEGGCO