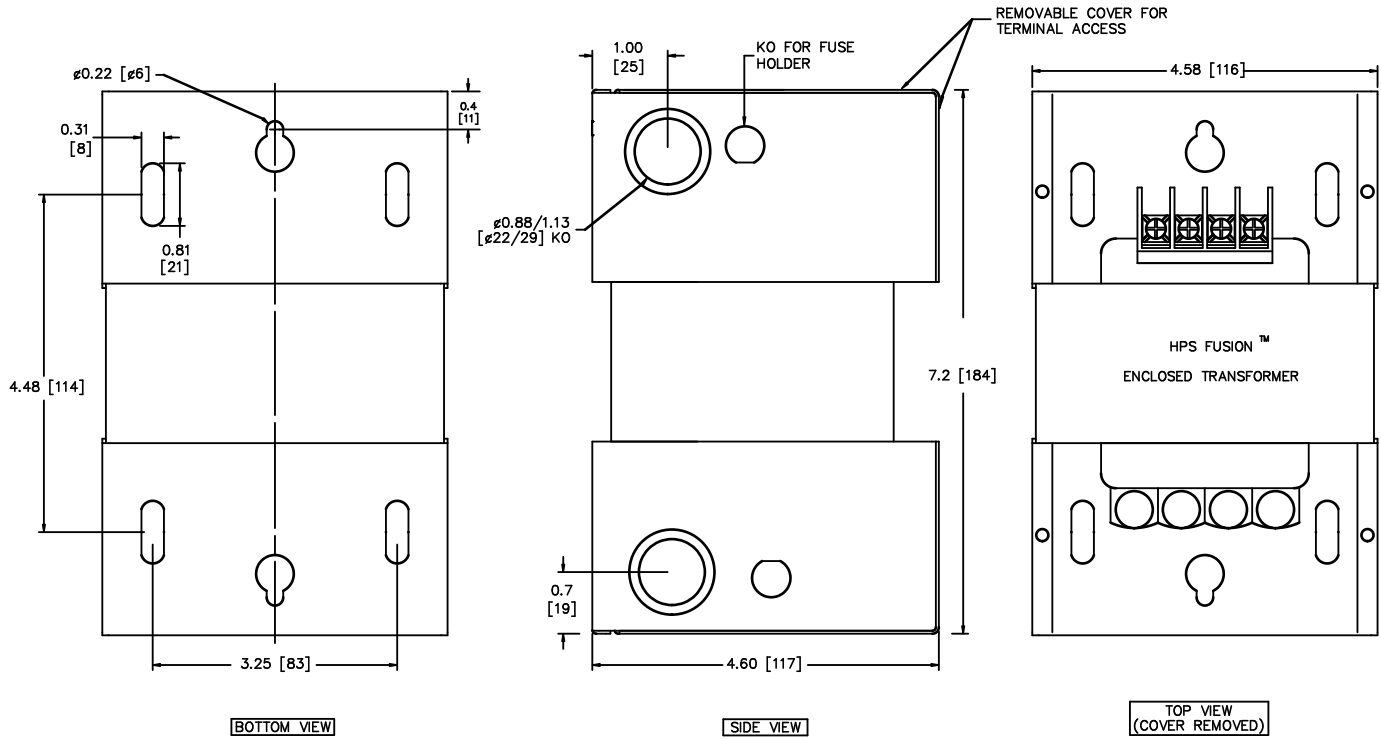


F 114x59WLUGS



TOLERANCE +/- 0.1 IN [+/-2.5 MM]
ALL DIMENSIONS IN INCHES [MM]

*OPTIONAL FUSEHOLDER KIT (P/N FSFH1) WILL
ADD 0.71"[18 MM] TO THE WIDTH

<p>hammond POWER SOLUTIONS</p> <p>HPS FUSION GENERAL PURPOSE TRANSFORMER</p> <p>500 VA 50/60 Hz 95 °C RISE</p> <p style="font-size: small;">np1404c</p>	<table style="width: 100%; border: none;"> <tr> <td style="border: 1px solid black; padding: 2px;">H1</td> <td style="border: 1px solid black; padding: 2px;">H3</td> <td style="border: 1px solid black; padding: 2px;">H2</td> <td style="border: 1px solid black; padding: 2px;">H4</td> </tr> <tr> <td style="border: none;"> 208V HV 416V </td> <td style="border: none;">1 3 2 4</td> <td style="border: none;">1 3 2 4</td> <td style="border: none;"> </td> </tr> <tr> <td style="border: none;">4 2 3 1</td> <td style="border: none;"> 12V LV 24V </td> <td style="border: none;">4 2 3 1</td> <td style="border: none;"> </td> </tr> <tr> <td style="border: 1px solid black; padding: 2px;">X4</td> <td style="border: 1px solid black; padding: 2px;">X2</td> <td style="border: 1px solid black; padding: 2px;">X3</td> <td style="border: 1px solid black; padding: 2px;">X1</td> </tr> </table>	H1	H3	H2	H4	208V HV 416V	1 3 2 4	1 3 2 4		4 2 3 1	12V LV 24V	4 2 3 1		X4	X2	X3	X1	<p>CAT.NO. FS500SR</p> <p>MADE IN CHINA</p>	<p>LR3902 TYPE E LISTED 252L E50394 130-9</p>
H1	H3	H2	H4																
208V HV 416V	1 3 2 4	1 3 2 4																	
4 2 3 1	12V LV 24V	4 2 3 1																	
X4	X2	X3	X1																

NOTES:



TITLE: 1 PH ENCLOSED GENERAL PURPOSE TX

					DES: WWONG
					DATE: 10/05/19
NO.	DATE	BY	REVISION		SCALE: NTS

SHEET 1 OF 1

EDBFS500SR

0.3 httpd 2026/06/04 18:26

THIS DRAWING CONTAINS STRICTLY CONFIDENTIAL INFORMATION BELONGING TO HAMMOND POWER SOLUTIONS AND MUST NOT BE DISTRIBUTED OUTSIDE AUTHORIZED PARTIES.