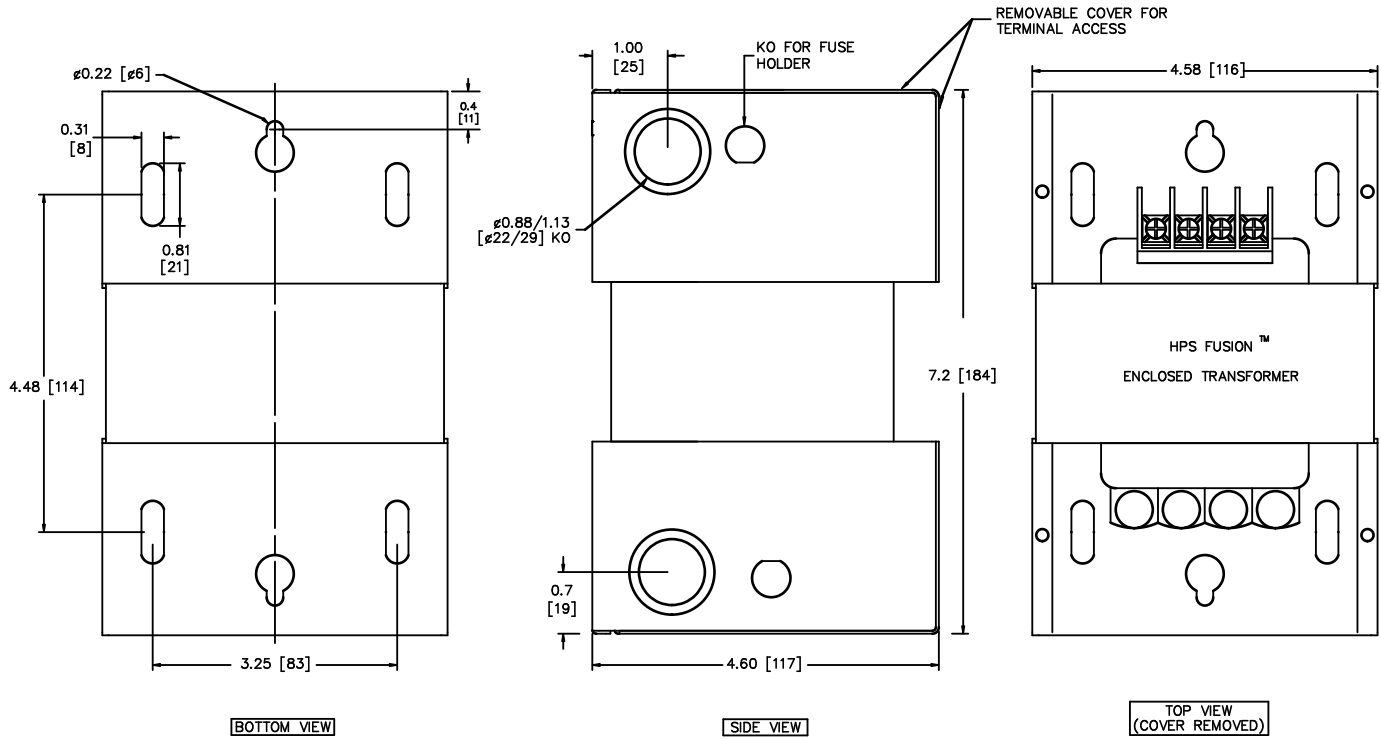


F 114x59WLUGS



TOLERANCE +/- 0.1 IN [+/-2.5 MM]
ALL DIMENSIONS IN INCHES [MM]

*OPTIONAL FUSEHOLDER KIT (P/N FSFH1) WILL
ADD 0.71"[18 MM] TO THE WIDTH

hammond POWER SOLUTIONS		CAT.NO. FS500PR		 LR3902 TYPE E LISTED 252L E50394 130-9
HPS FUSION GENERAL PURPOSE TRANSFORMER				
500 VA 50/60 Hz 95 °C RISE		MADE IN CHINA		

NOTES:



TITLE: 1 PH ENCLOSED GENERAL PURPOSE TX

DES:	WWONG
DATE:	10/05/19
SCALE:	NTS

SHEET 1 OF 1

EDBFS500PR

0.4 httpd 2026/05/21 13:00

THIS DRAWING CONTAINS STRICTLY CONFIDENTIAL INFORMATION BELONGING TO HAMMOND POWER SOLUTIONS AND MUST NOT BE DISTRIBUTED OUTSIDE AUTHORIZED PARTIES.