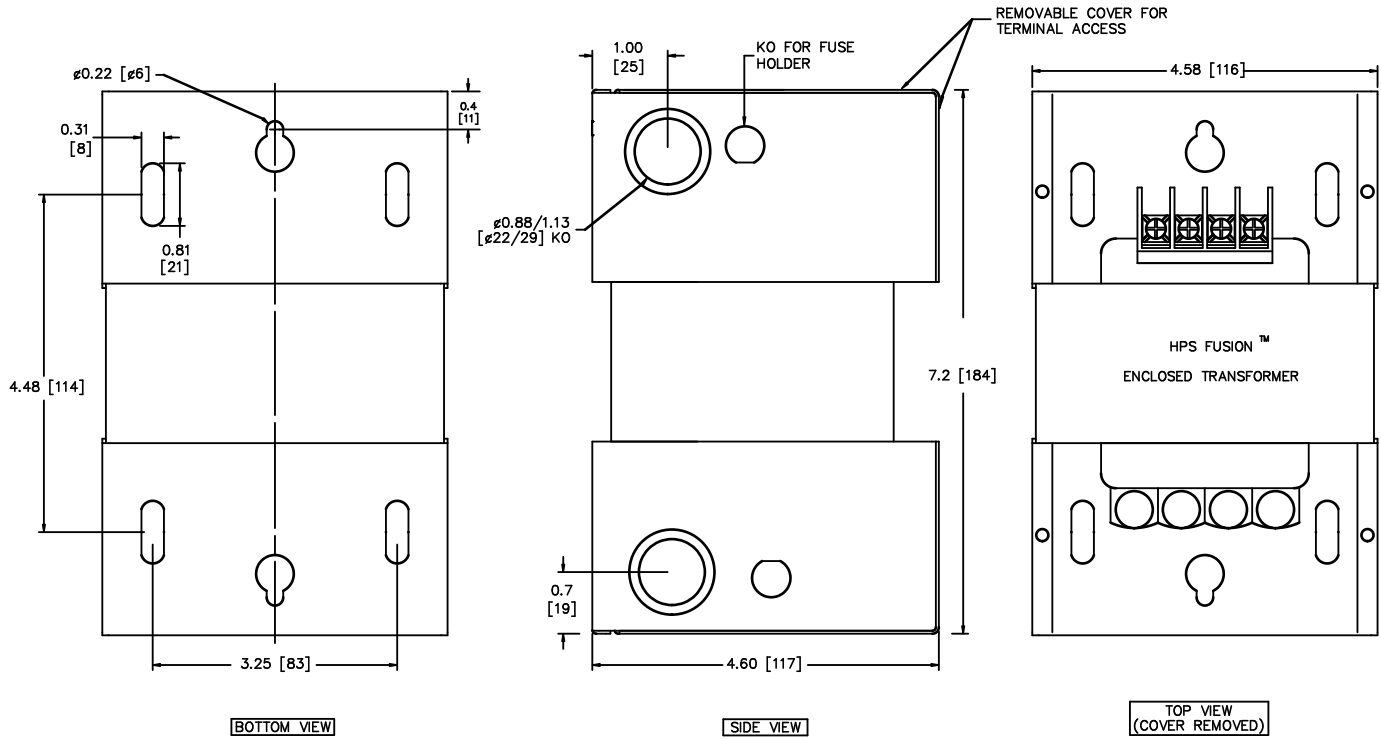


F 114x59WLUGS



TOLERANCE +/- 0.1 IN [+/-2.5 MM]
ALL DIMENSIONS IN INCHES [MM]

*OPTIONAL FUSEHOLDER KIT (P/N FSFH1) WILL
ADD 0.71"[18 MM] TO THE WIDTH

hammond
POWER SOLUTIONS

HPS FUSION
GENERAL PURPOSE TRANSFORMER

500 VA
50/60 Hz
95 °C RISE

np1404c

CAT.NO.
FS500KHR

MADE IN CHINA

LR3902
TYPE E
LISTED
252L
E50394
130-9

NOTES:

THIS DRAWING CONTAINS STRICTLY CONFIDENTIAL INFORMATION BELONGING TO HAMMOND POWER SOLUTIONS AND MUST NOT BE DISTRIBUTED OUTSIDE AUTHORIZED PARTIES.



| | | | | |
|---|-------|-------|----------|--------------|
| TITLE: 1 PH ENCLOSED GENERAL PURPOSE TX | | | | SHEET 1 OF 1 |
| DES: | WWONG | DATE: | 10/05/19 | |
| NO. | DATE | BY | REVISION | SCALE: NTS |

EDBFS500KHR

0.3 httpd 2026/06/03 19:49