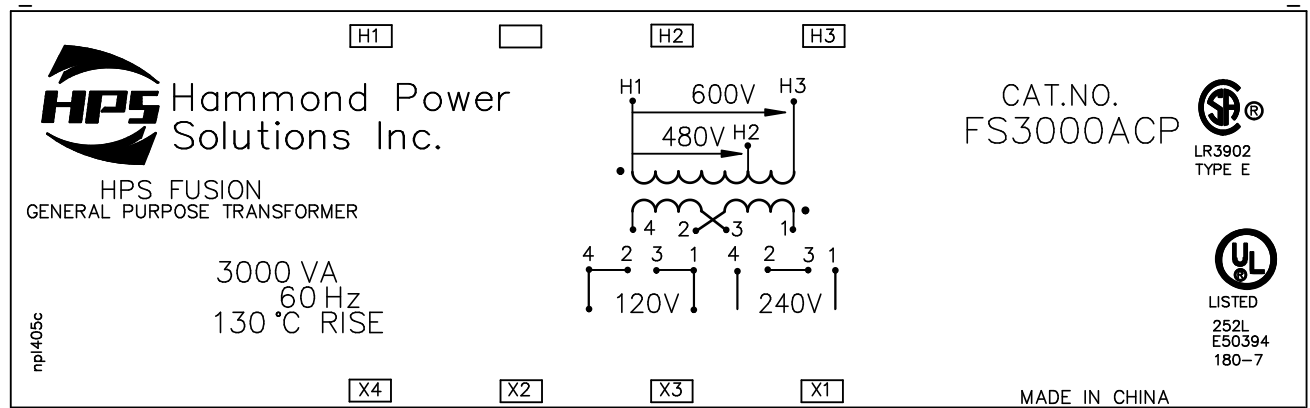


TOLERANCE +/- 0.1 IN [+/-0.3 MM]
 ALL DIMENSIONS IN INCHES [MM]

*OPTIONAL FUSEHOLDER KIT (P/N FSFH1) WILL
 ADD 0.71"[18 MM] TO THE WIDTH



NOTES:



TITLE: 1 PH ENCLOSED GENERAL PURPOSE TX

1	24/02/20	LC	CHANGED	DES: WWONG
NO.	DATE	BY	REVISION	SCALE: NTS

SHEET 1 OF 1

EDBFS3000ACP

THIS DRAWING CONTAINS STRICTLY CONFIDENTIAL INFORMATION BELONGING TO HAMMOND POWER SOLUTIONS AND MUST NOT BE DISTRIBUTED OUTSIDE AUTHORIZED PARTIES.